

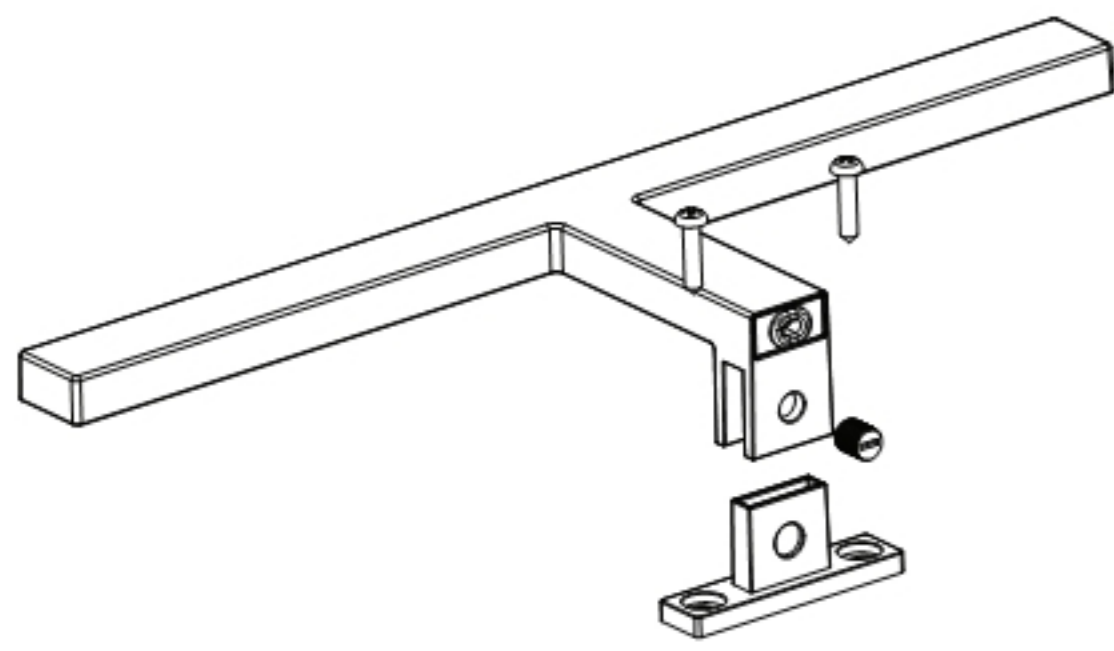
01 WC22 Series

Feature

- 230V AC input voltage
- IP44
- Stable performance and use-friendly



Installation



Product display

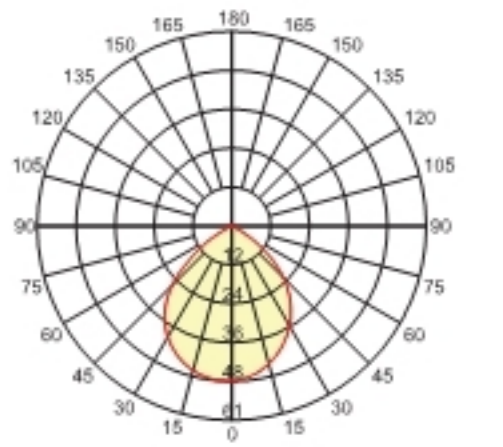


02

Specifications

Model	Part Number	Size(mm)	Power(W)	Voltage(V AC)	Beam Angle(°)	Lumen(lm)
WC22	W300C22	97×41×300	5	230	100	325

The data listed above is based on CCT of 3000K.



Features



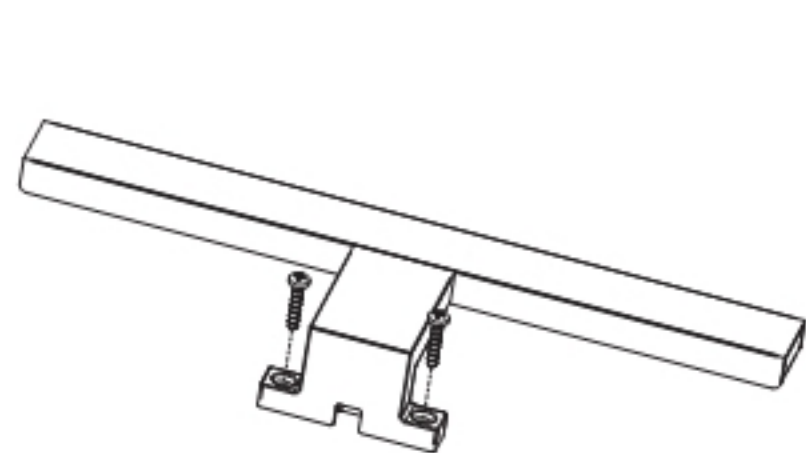


03 WC29 Series

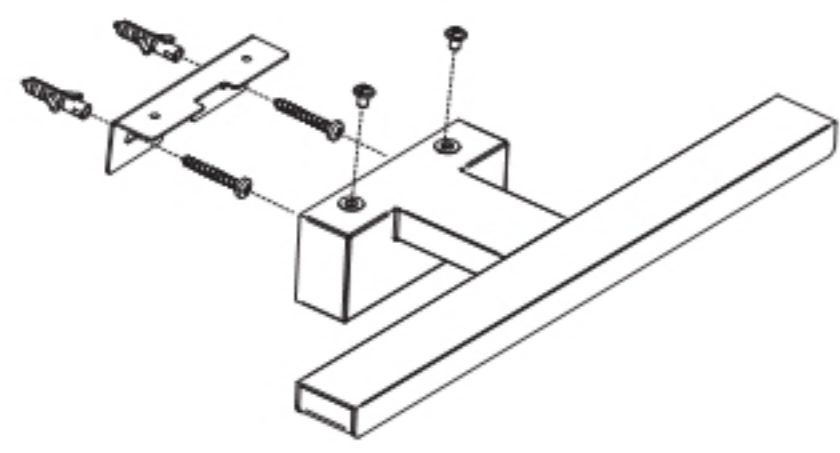
Feature

- Aluminium housing is good for heat dissipation
- IP44
- Fashionable and delicate appearance

Installation



WC29-1



WC29-2

Product display



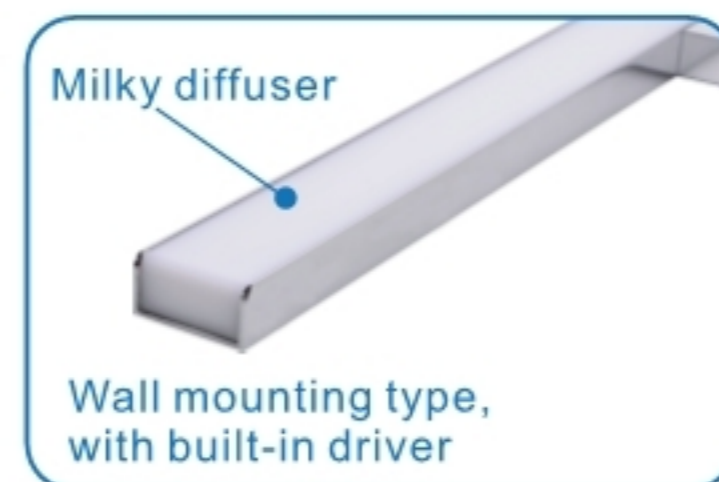
04

Specifications

Model	Part Number	Size(mm)	Power(W)	Voltage(V AC)	Beam Angle(°)	Lumen(lm)
WC29	W300C29-1	111x44x300	6	220~240	113	330
	W400C29-1	111x44x400	8			440
	W500C29-1	111x44x500	8			440
	W600C29-1	111x44x600	12			660
	W780C29-1	111x44x780	15			825
	W900C29-1	111x44x900	15			825
	W300C29-2	120x42x300	6			330
	W400C29-2	120x42x400	8			440
	W500C29-1	120x42x500	8			440
	W600C29-2	120x42x600	12			660
	W780C29-2	120x42x780	15			825
	W900C29-2	120x42x900	15			825

The data listed above is based on CCT of 3000K.

Features



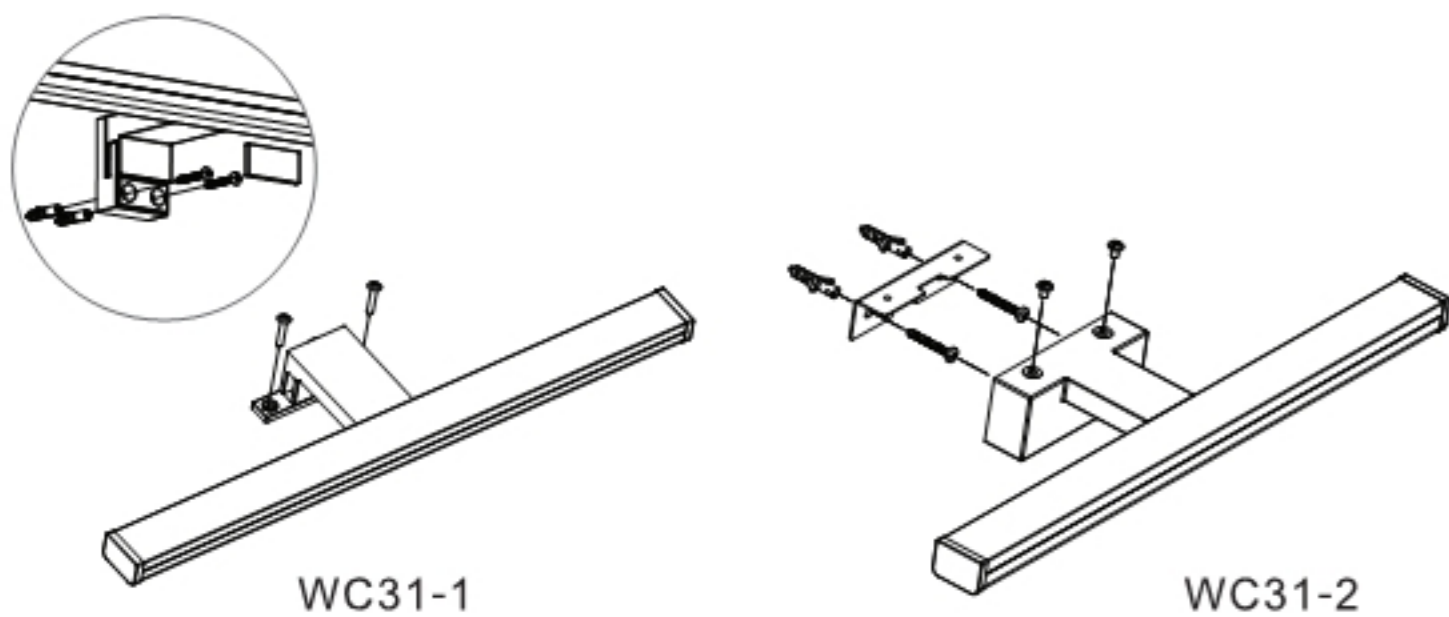


05 WC31-1/2 Series

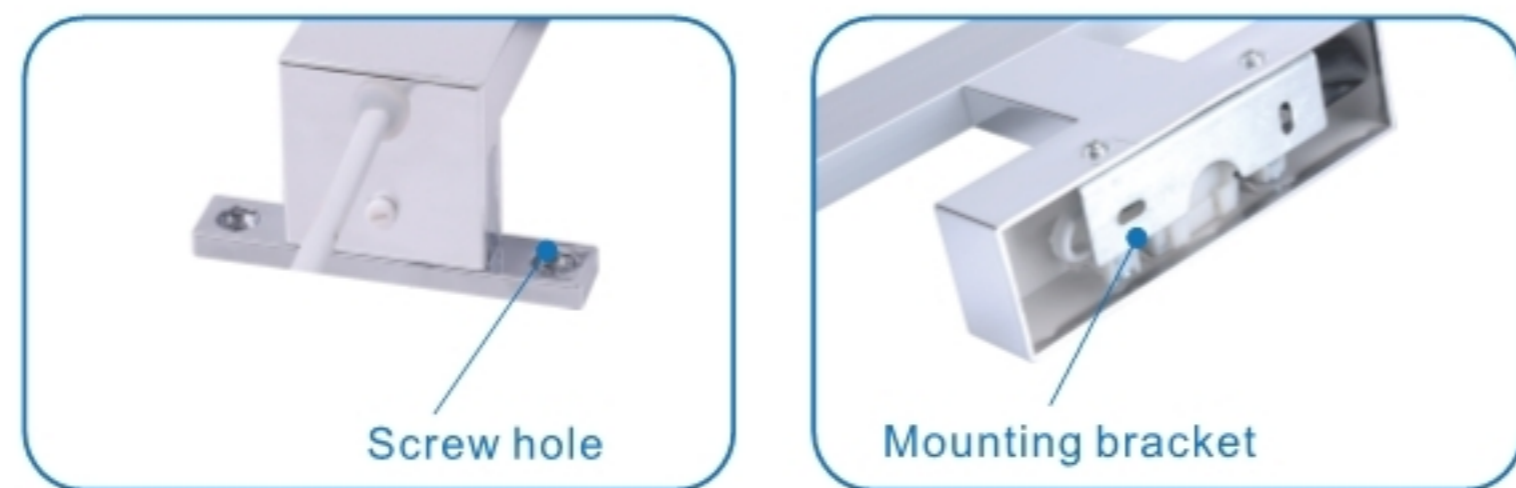
Feature

- Aluminium housing is good for heat dissipation
- IP44
- Fashionable and delicate appearance

Installation



Product display



W400C31-1

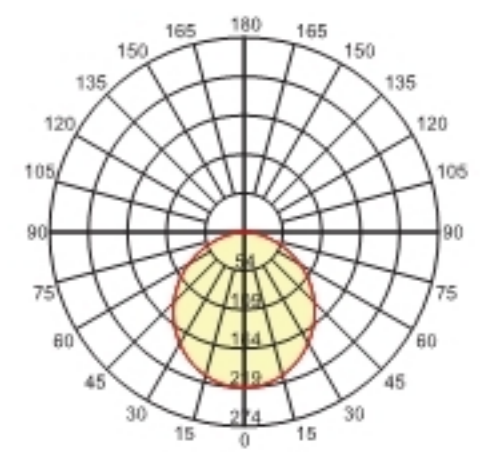


W400C31-2

06

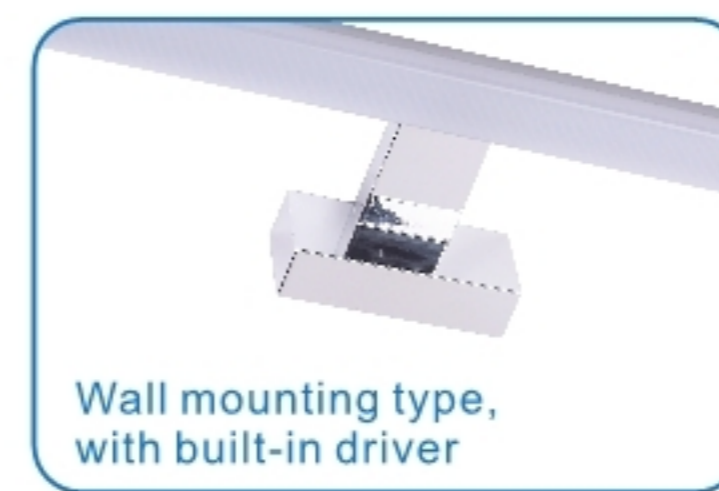
Specifications

Model	Part Number	Size(mm)	Power(W)	Voltage(V AC)	Beam Angle(°)	Lumen(lm)
WC31	W350C31-1	101×44×350	6	220~240	116	480
	W400C31-1	101×44×400	8			640
	W600C31-1	101×44×600	12			960
	W780C31-1	101×44×780	15			1200
	W900C31-1	101×44×900	15			1200
	W350C31-2	110×41×350	6			480
	W400C31-2	110×41×400	8			640
	W600C31-2	110×41×600	12			960
	W780C31-2	110×41×780	15			1200
W900C31-2	110×41×900	15	1200			



The data listed above is based on CCT of 3000K.

Features



07

WC36 Series

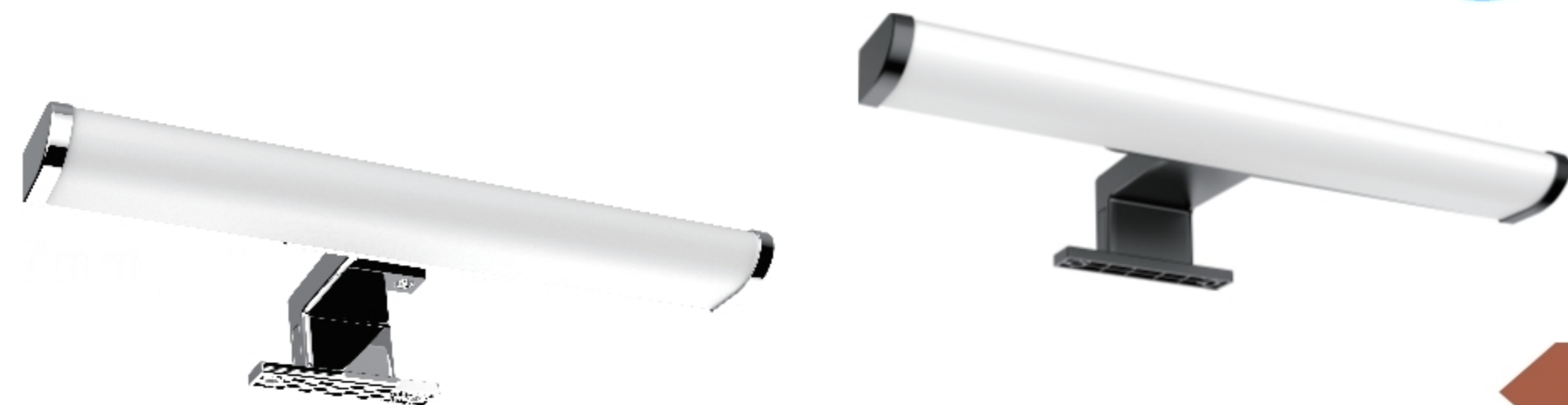
Feature

- Plastic Housing, Chrome plated
- IP44
- Stable performance and use-friendly
- Competitive price for promotion



NEW

IP44



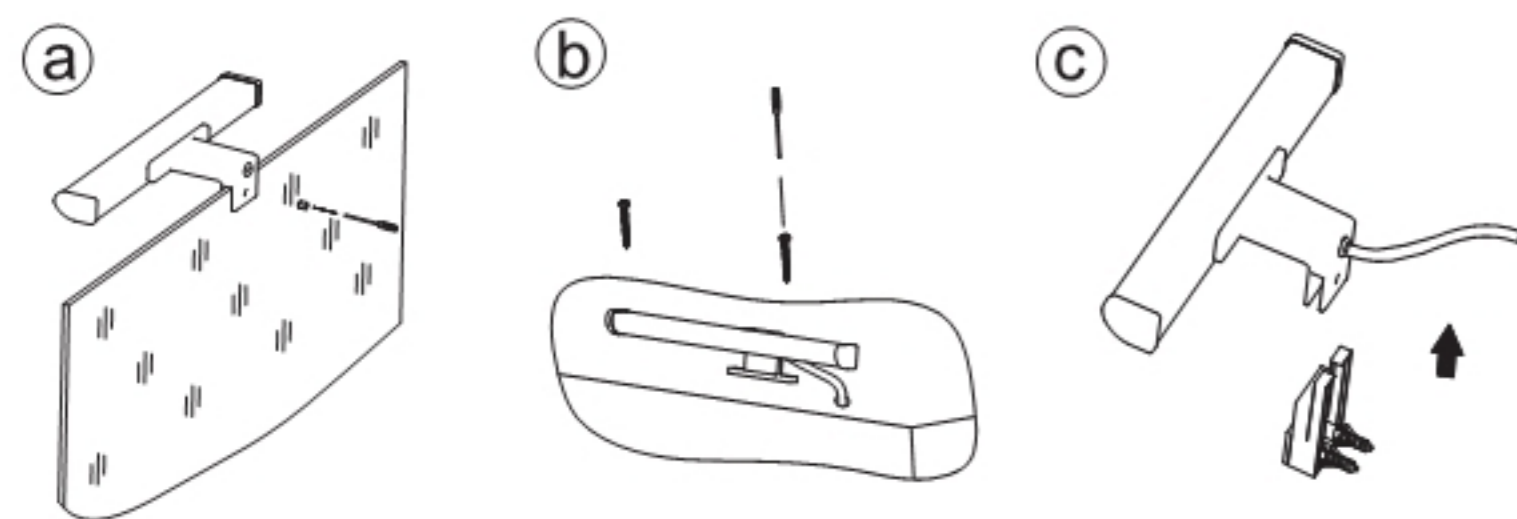
08

Specifications

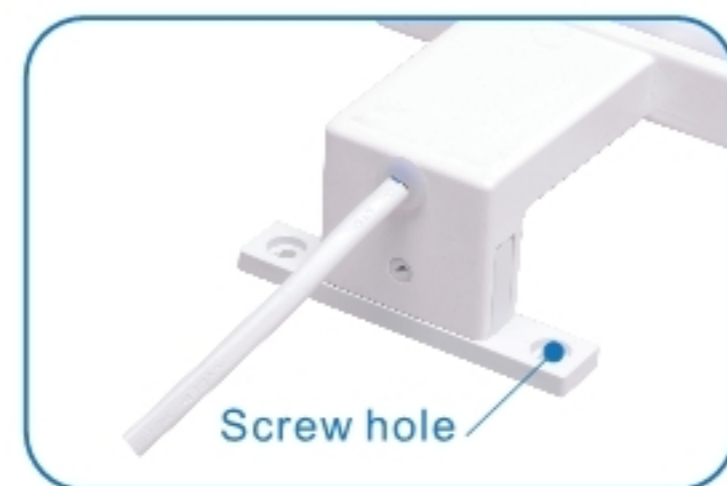
Model	Part Number	Size(mm)	Power(W)	Voltage(V AC)	Beam Angle(°)	Lumen(lm)
WC36	W300C36	108×48×300	6	230	123	540
	W400C36	108×48×400	8			720
	W600C36	108×48×600	12			1200
	W780C36	108×48×780	15			1500

The data listed above is based on CCT of 3000K.

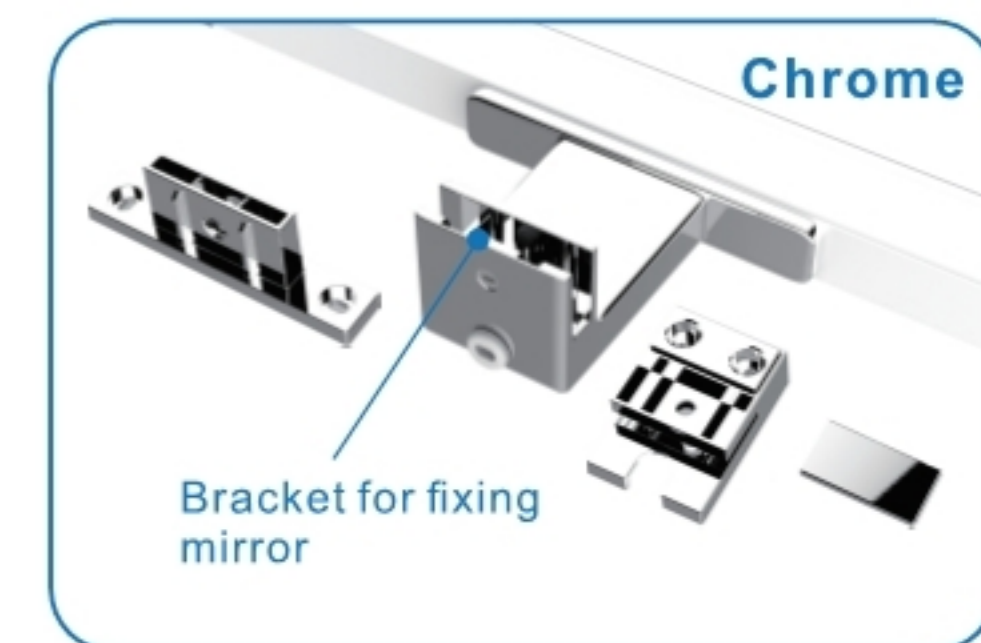
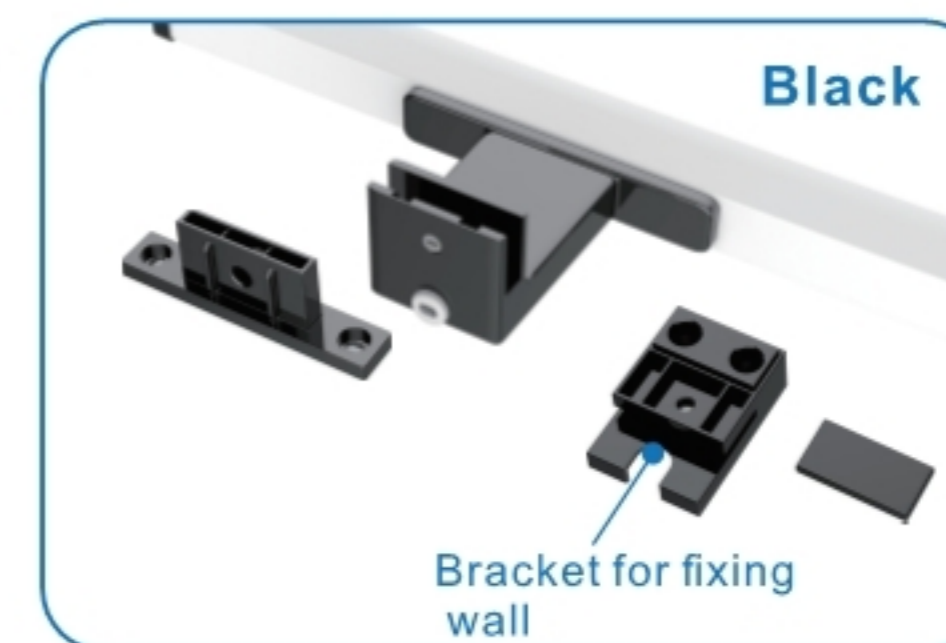
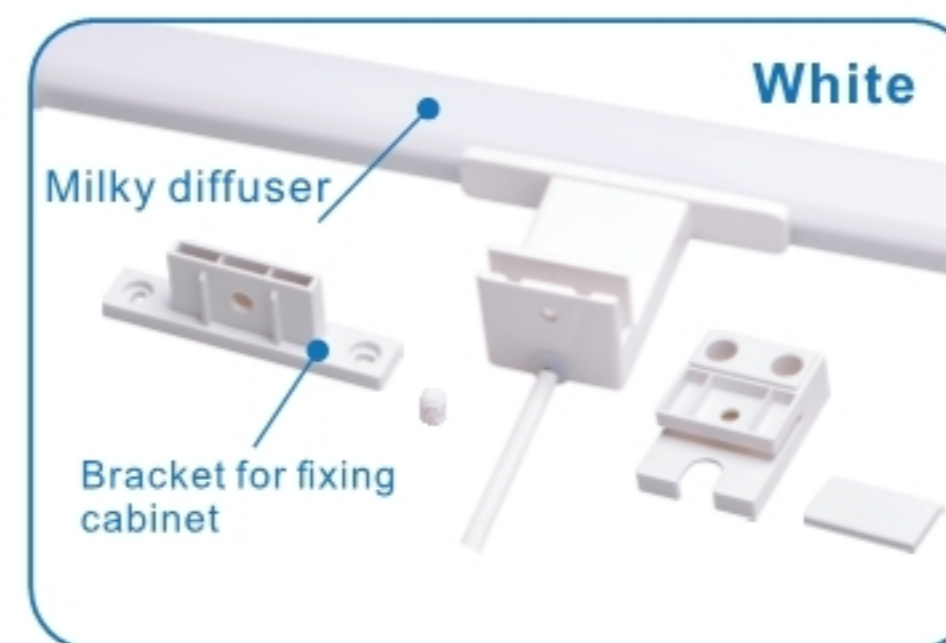
Installation



Product display



Features

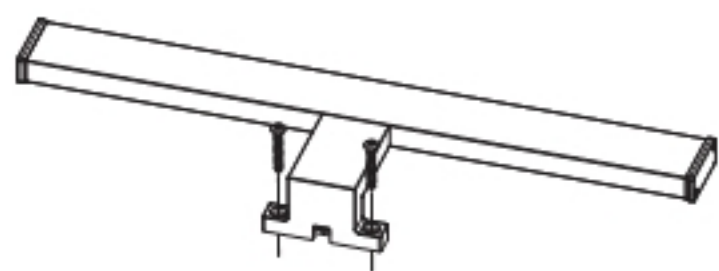


09 WC40-1/2 Series

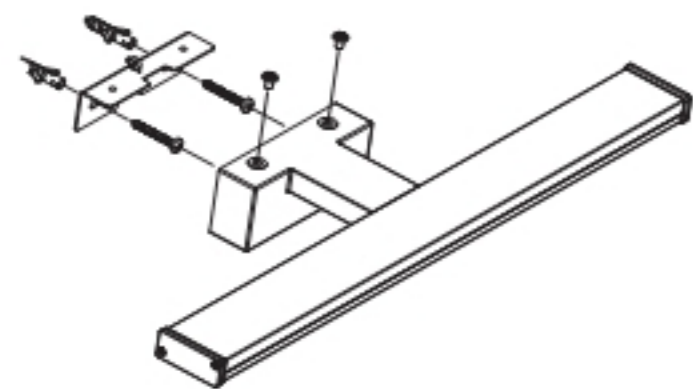
Feature

- Aluminium housing is good for heat dissipation
- IP44
- Fashionable and delicate appearance

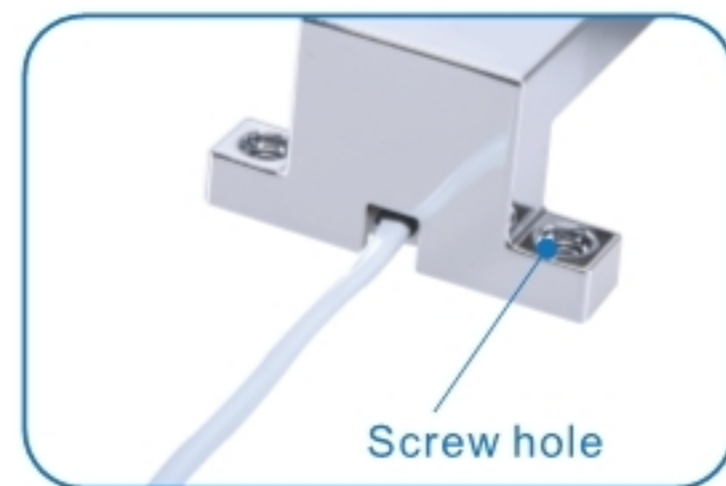
Installation



WC40-1



WC40-2



Screw hole



Mounting bracket

Product display



IP44



W400C40-1

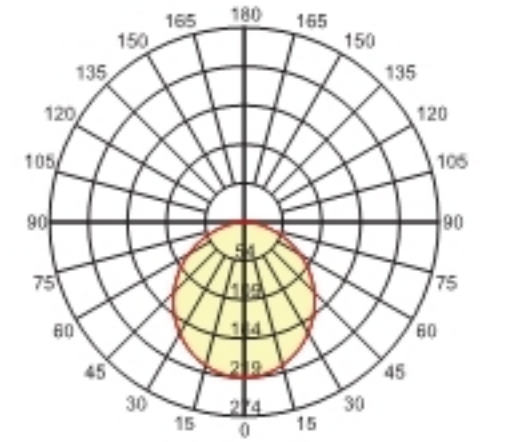


W400C40-2

10

Specifications

Model	Part Number	Size(mm)	Power(W)	Voltage(V AC)	Beam Angle(°)	Lumen(lm)
WC40	W350C40-1	101×44×350	6	220~240	110	480
	W400C40-1	101×44×400	8			640
	W600C40-1	101×44×600	12			960
	W780C40-1	101×44×780	15			1200
	W900C40-1	101×44×900	15			1200
	W350C40-2	110×41×350	6			480
	W400C40-2	110×41×400	8			640
	W600C40-2	110×41×600	12			960
	W780C40-2	110×41×780	15			1200
W900C40-2	110×41×900	15	1200			



The data listed above is based on CCT of 3000K.

Features



Cabinet-top mounting with built-in driver



Wall mounting type, with built-in driver



WC40-1-B



WC40-1-C

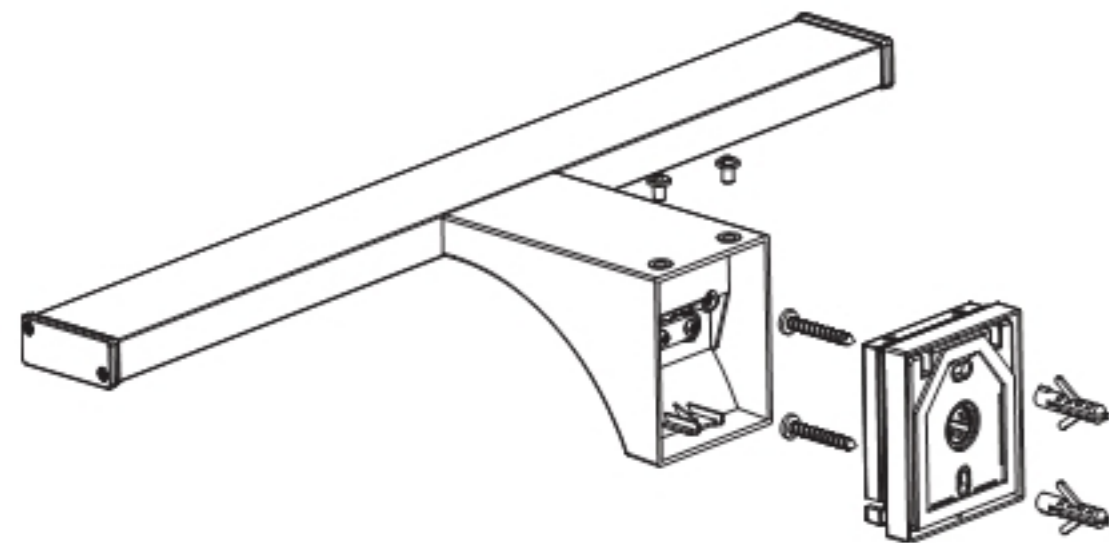
11 WC40-3-1 Series

Feature

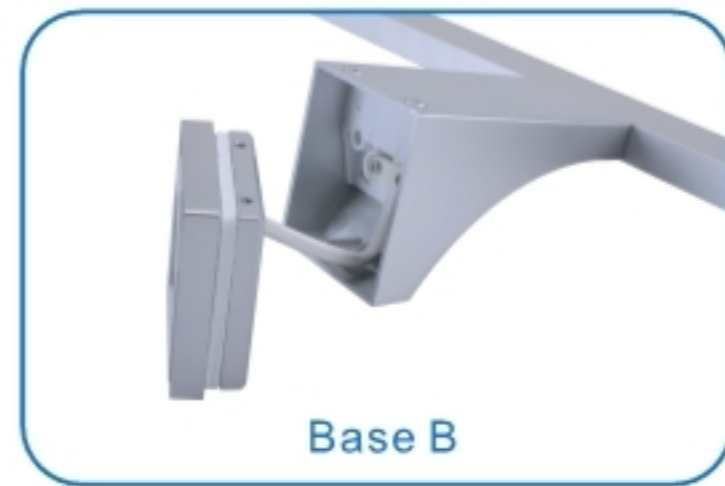
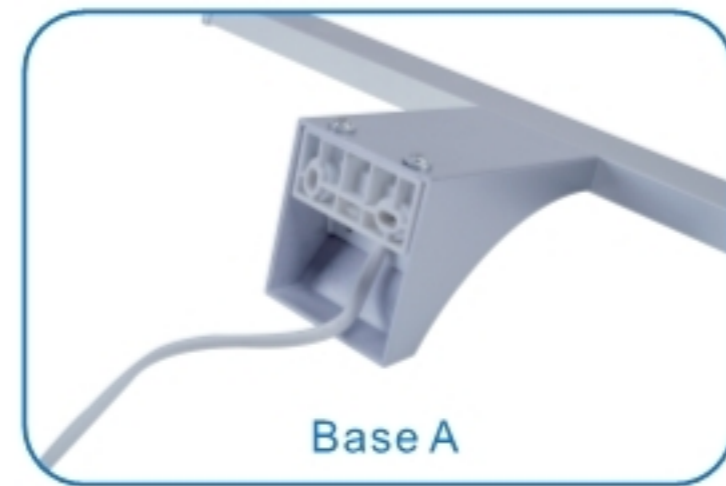
- Normal function
- IP44
- Fashionable and delicate appearance



Installation



Product display

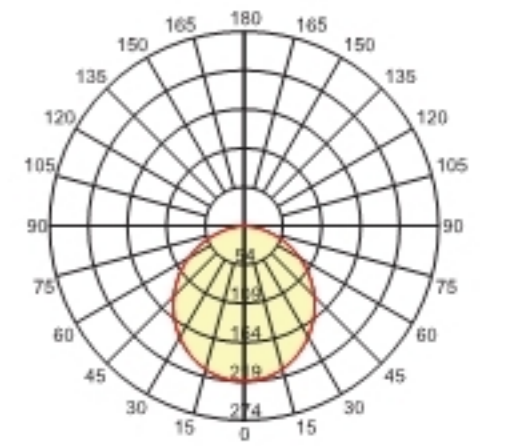


12

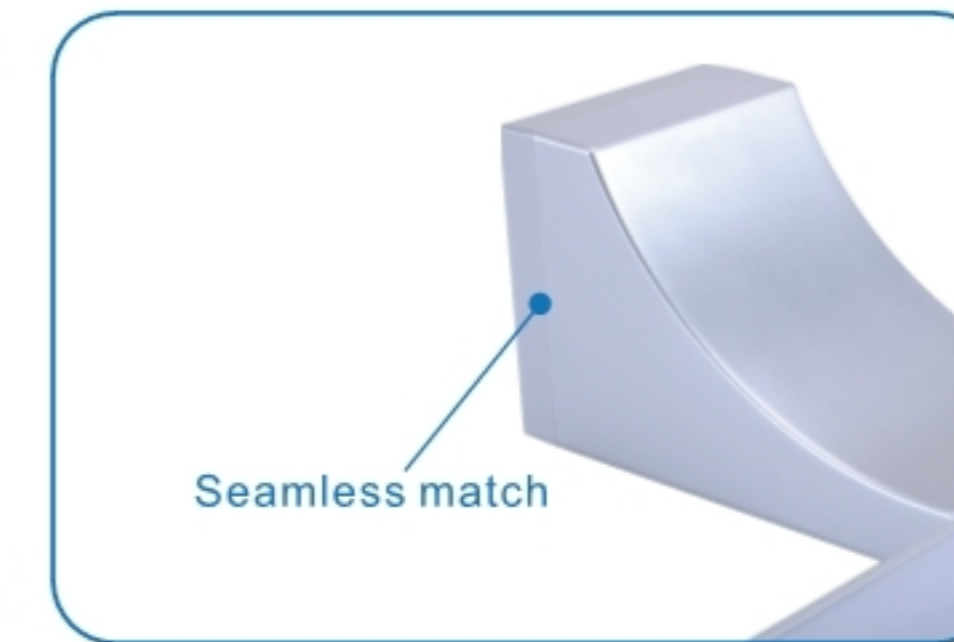
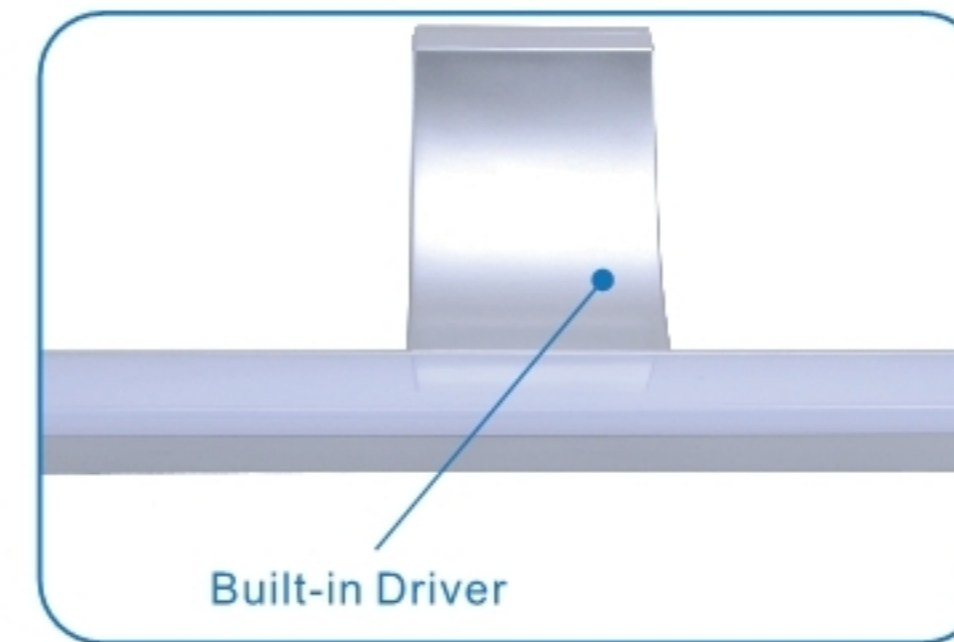
Specifications

Model	Part Number	Size(mm)	Power(W)	Voltage(V AC)	Beam Angle(°)	Lumen(lm)
WC40-3-1	W350C40-3-1	141×67×350	6	220~240	110	480
	W400C40-3-1	141×67×400	8			640
	W600C40-3-1	141×67×600	12			960
	W780C40-3-1	141×67×780	15			1200

The data listed above is based on CCT of 3000K.



Features

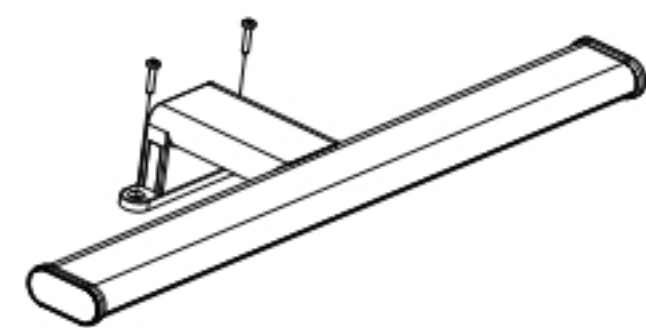


13 WC40-7/8 Series

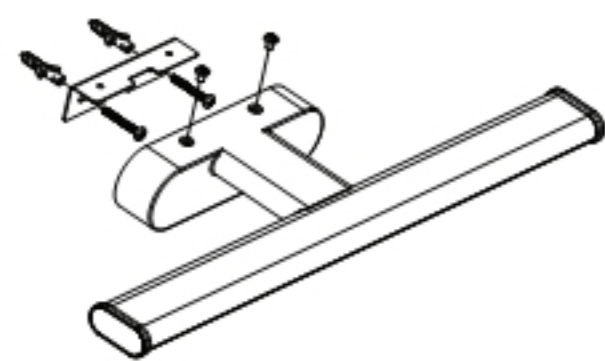
Feature

- New-developed end caps
- IP44
- Stable performance and use-friendly

Installation



WC40-7



WC40-8

Product display



Screw hole



Mounting bracket



W400C40-7

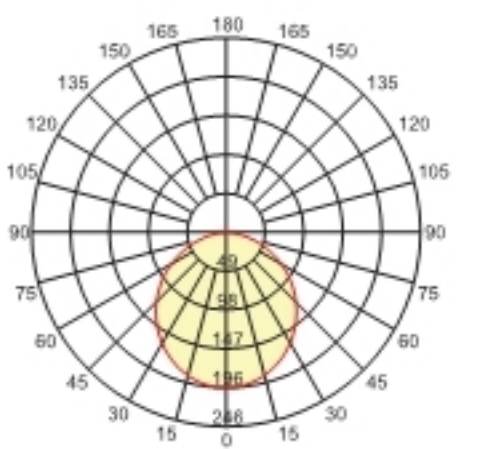


W400C40-8

Specifications

Model	Part Number	Size(mm)	Power(W)	Voltage(V AC)	Beam Angle(°)	Lumen(lm)
WC40	W400C40-7	120×47×400	8	220~240	110	600
	W600C40-7	120×47×600	12			900
	W780C40-7	120×47×780	15			1125
	W900C40-7	120×47×900	15			1125
	W400C40-8	134×44×400	8			600
	W600C40-8	134×44×600	12			900
	W780C40-8	134×44×780	15			1125
	W900C40-8	134×44×900	15			1125

The data listed above is based on CCT of 3000K.



Features



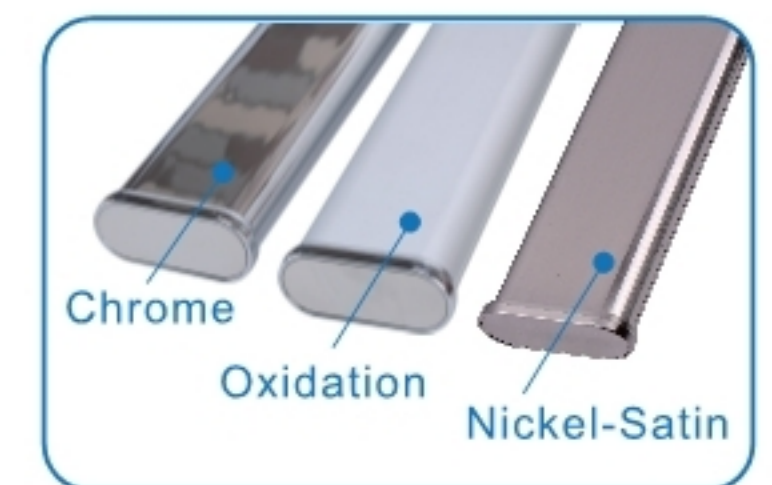
Bracket for fixing mirror or cabinet



Bracket for fixing mirror or wall



Wall mounting type, with built-in driver



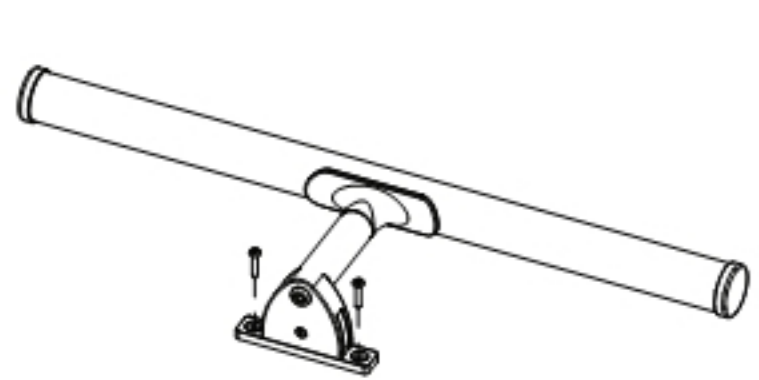
Chrome
Oxidation
Nickel-Satin

15 WS26-1/2 Series

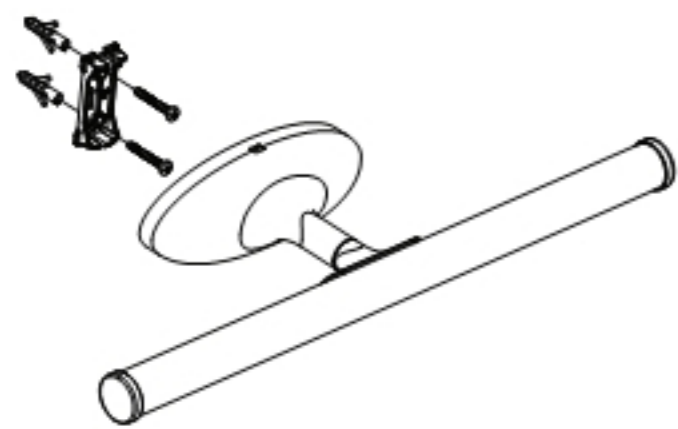
Feature

- Plastic Housing, Chrome plated
- IP44
- Stable performance and use-friendly
- Competitive price for promotion

Installation



WS26-1



WS26-2

Product display



Screw hole



Mounting plate



W400S26-1



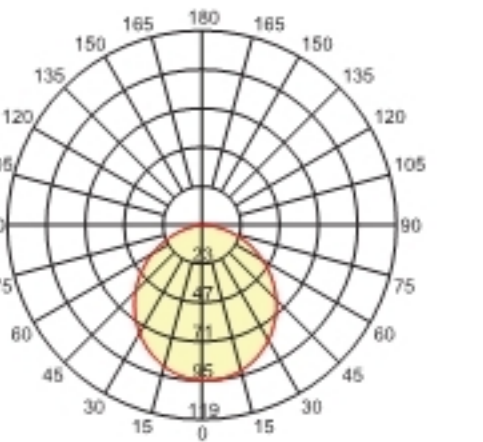
W400S26-2

16

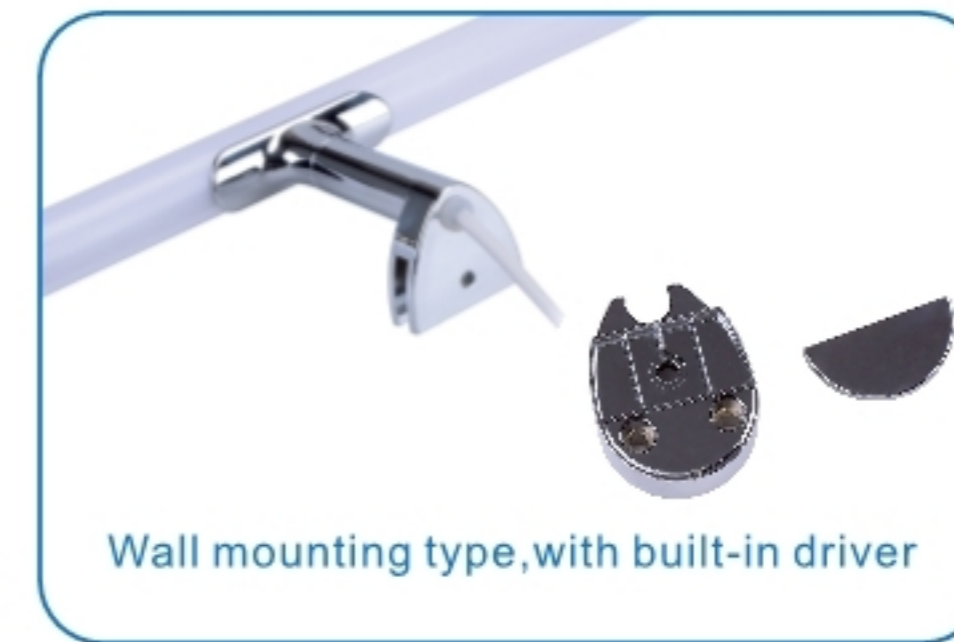
Specifications

Model	Part Number	Size(mm)	Power(W)	Voltage(V AC)	Beam Angle(°)	Lumen(lm)
WS26	W400S26-1	116×53×400	6	230	144	540
	W400S26-2	130×60×400	6			540

The data listed above is based on CCT of 3000K.



Features



17 WS45 Series



Feature

- Alternative end caps
- IP44
- Fashionable and delicate appearance

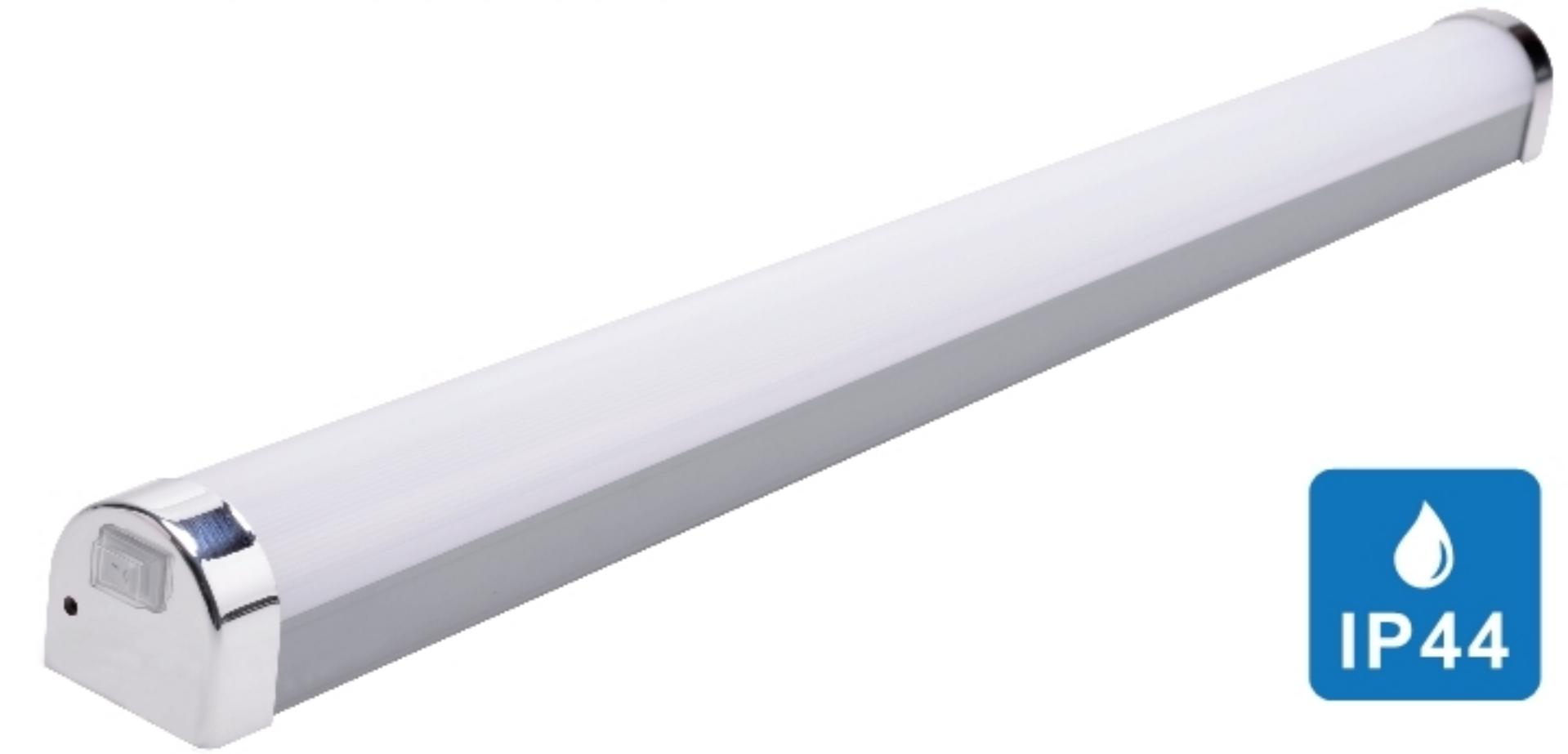
Installation



Product display



Portable installation



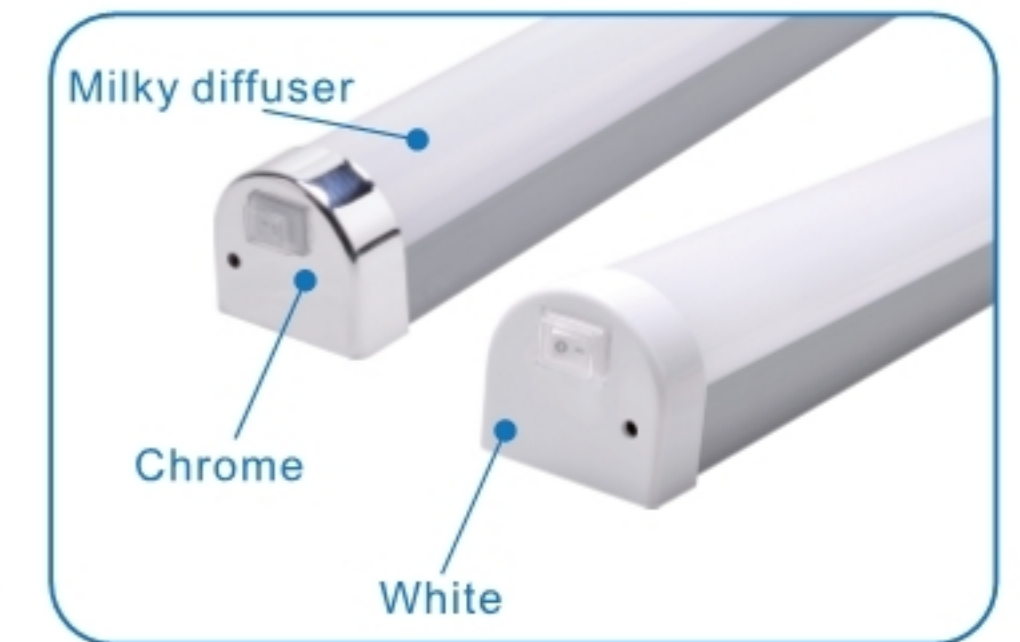
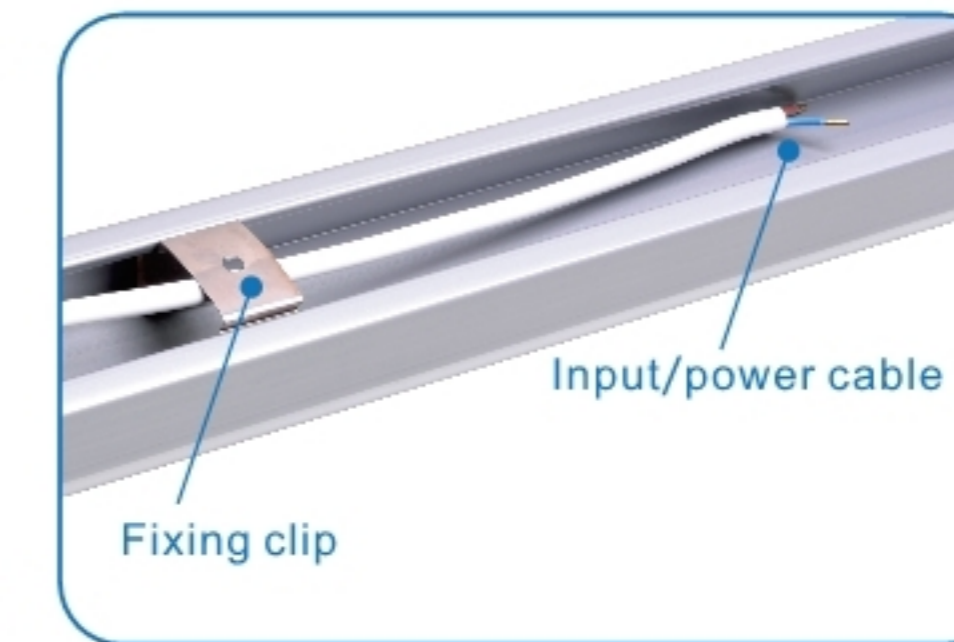
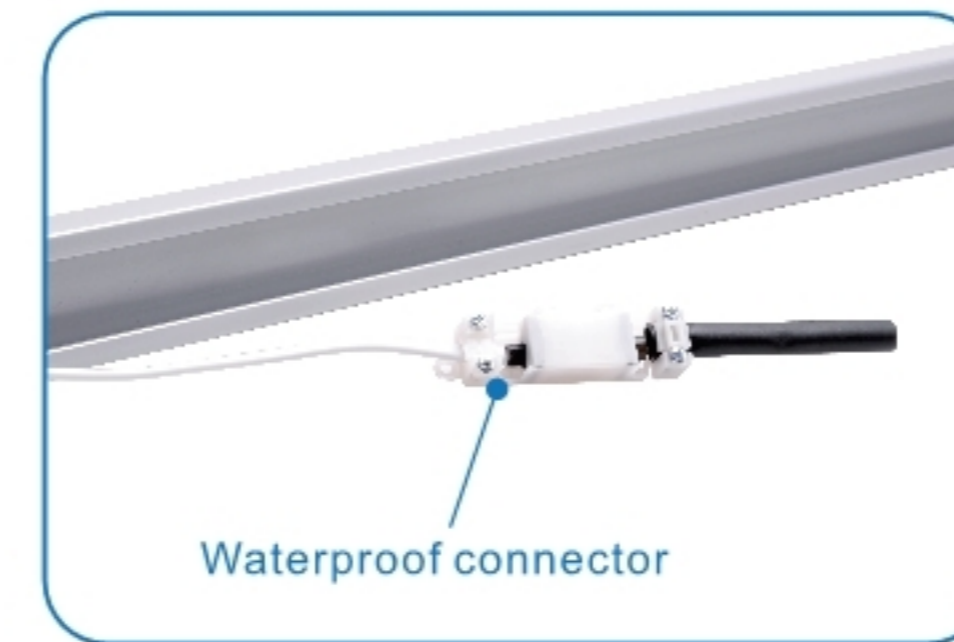
18

Specifications

Model	Part Number	Size(mm)	Power(W)	Voltage(V AC)	Beam Angle(°)	Lumen(lm)
WS45	W300S45	46×43×300	5	230	120	425
	W400S45	46×43×400	6			540
	W450S45	46×43×450	7			630
	W600S45	46×43×600	15			1350
	W770S45	46×43×770	18			1710
	W900S45	46×43×900	20			1800
	W1000S45	46×43×1000	20			1600

The data listed above is based on CCT of 3000K.

Features

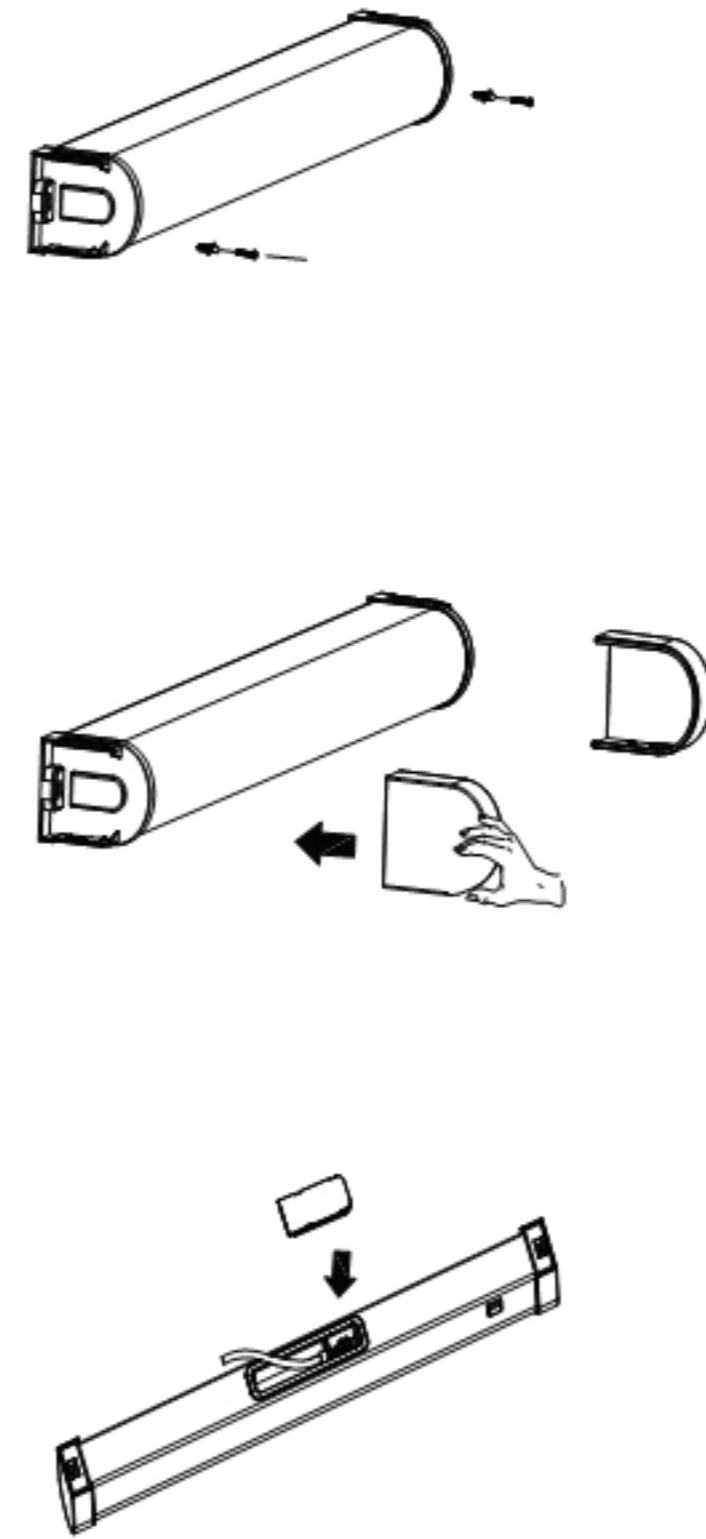


19 WS46 Series

Feature

- Alternative end caps
- IP44
- Fashionable and delicate appearance

Installation



Product display

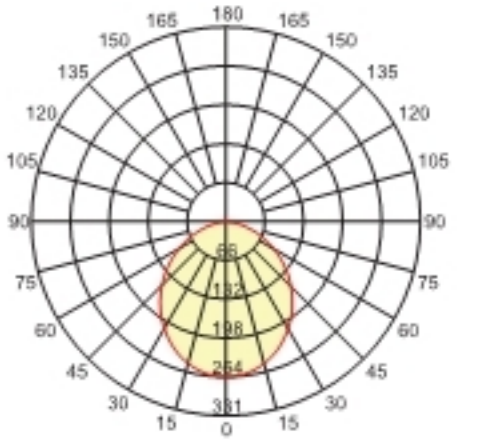


Specifications

Model	Part Number	Size(mm)	Power(W)	Voltage(V AC)	Beam Angle(°)	Lumen(lm)
WS46	W600S46	52×69×600	15	220-240	145	1200
	W900S46	52×69×900	20			1600
	W400S46-2	52×69×400	6	230		540
	W600S46-2	52×69×600	15			1200
	W900S46-2	52×69×900	20			1600

None T:Single CCT; -2T:Double CCT; -3T:Triple CCT;
(-2T/-3T Lumen reduce by 15%)

The data listed above is based on CCT of 3000K.



Features



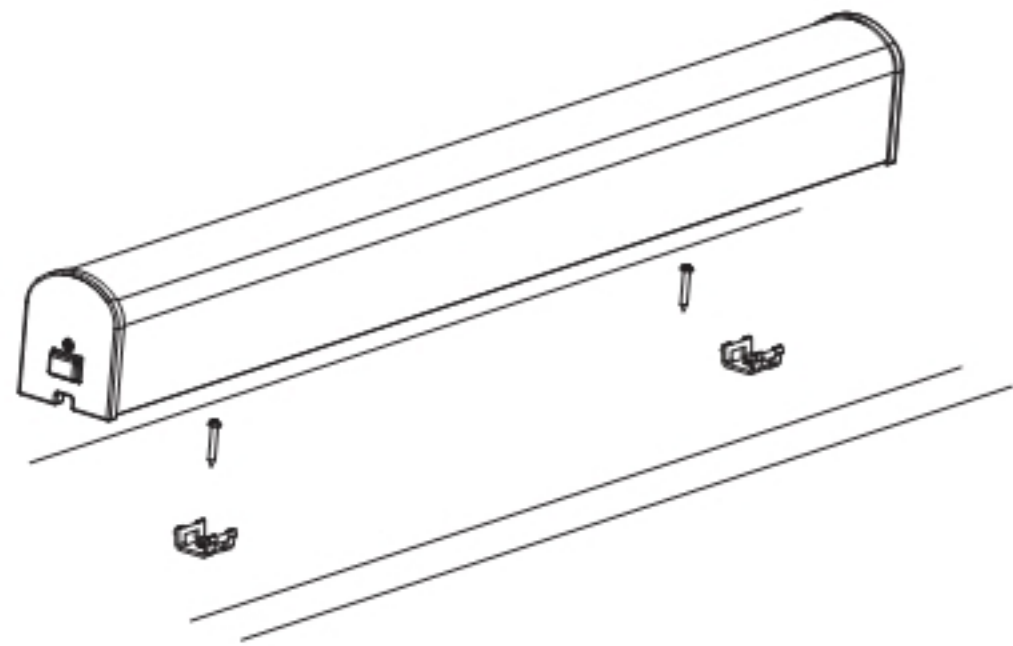
21 WS50-1/6 Series

Feature

- Waterproof design, suitable for bathroom
- Surface emitting light with gentle beam
- Stable performance and use-friendly



Installation



Product display



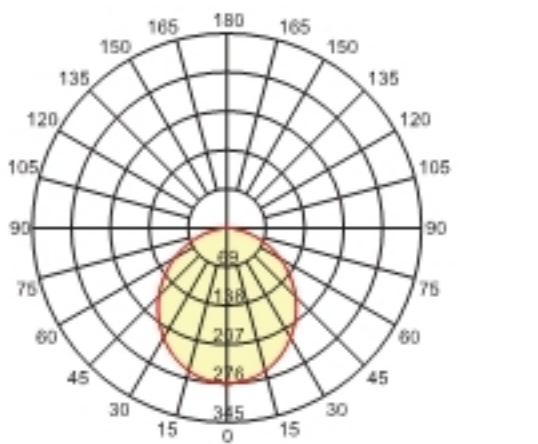
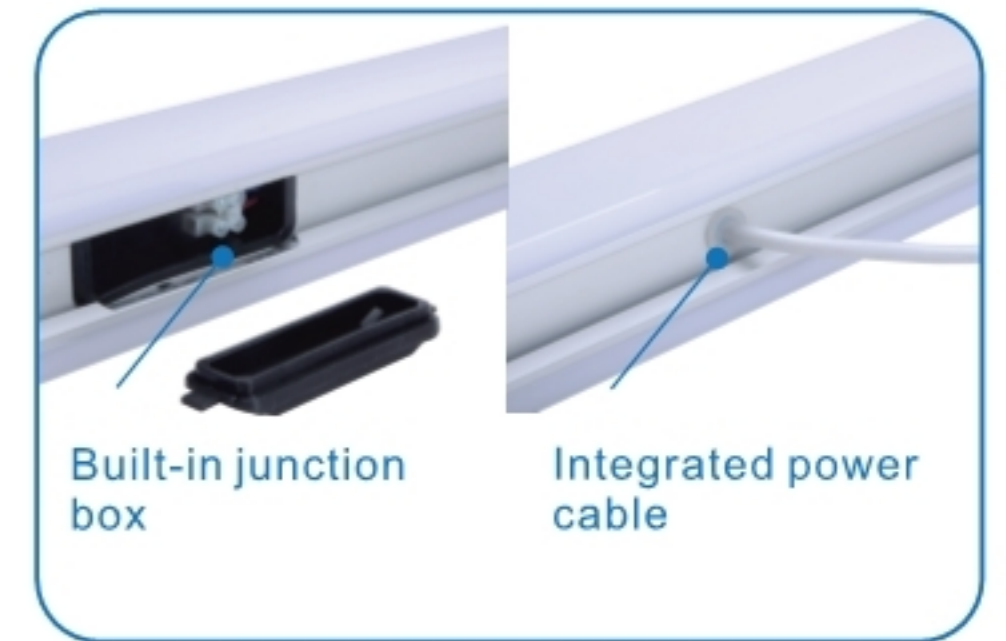
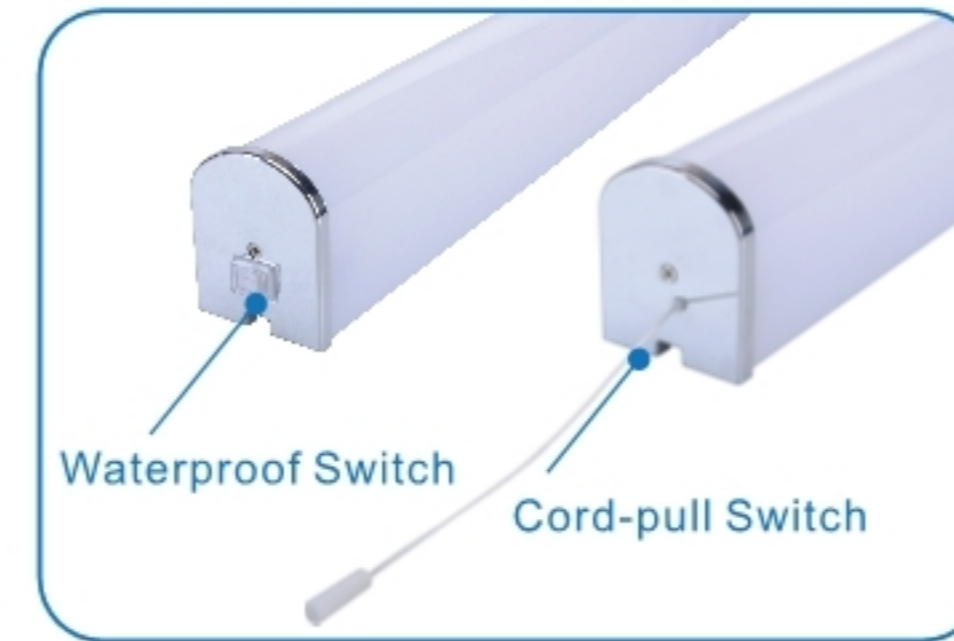
22

Specifications

Model	Part Number	Size(mm)	Power(W)	Voltage(V AC)	Beam Angle(°)	Lumen(lm)
WS50	W410S50-1/6	53×65×410	8	220~240	133	800
	W600S50-1/6	53×65×600	15			1200
	W900S50-1/6	53×65×900	20			1600

The data listed above is based on CCT of 3000K

Features

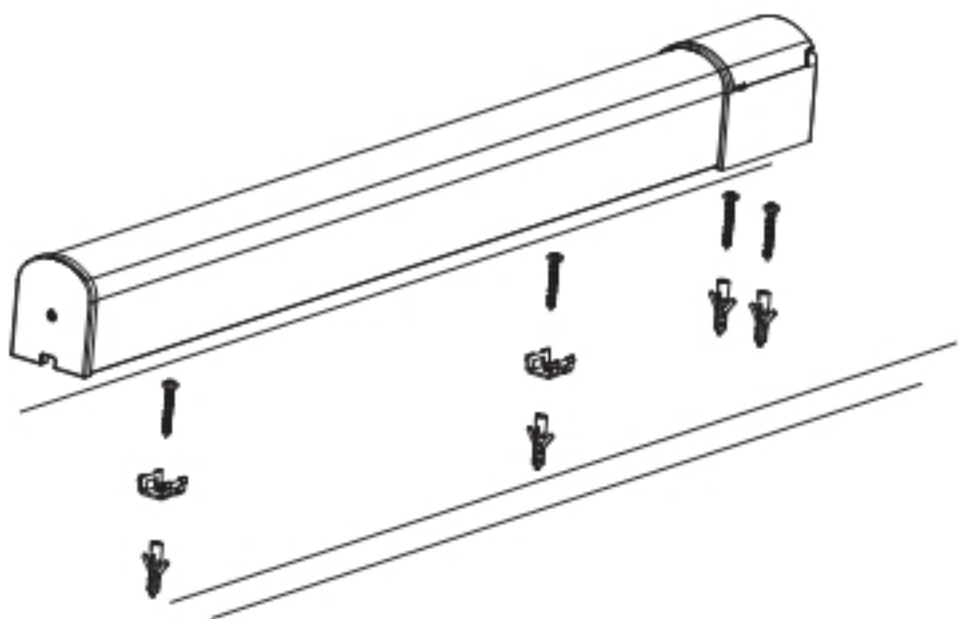


23 WS50-4 Series

Feature

- Waterproof design, suitable for bathroom
- Surface emitting light with gentle beam
- Stable performance and use-friendly

Installation



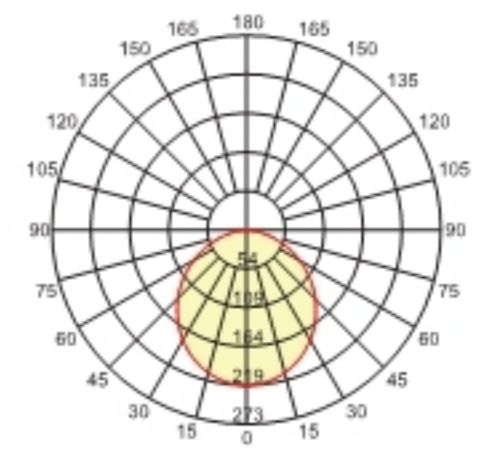
Product display



Specifications

Model	Part Number	Size(mm)	Power(W)	Voltage(V AC)	Beam Angle(°)	Lumen(lm)
WS50	W490S50-4	59×66×492	8	220~240	133	800
	W600S50-4	59×66×682	15			1200
	W900S50-4	59×66×982	20			1600

The data listed above is based on CCT of 3000K



Features

Customized socket



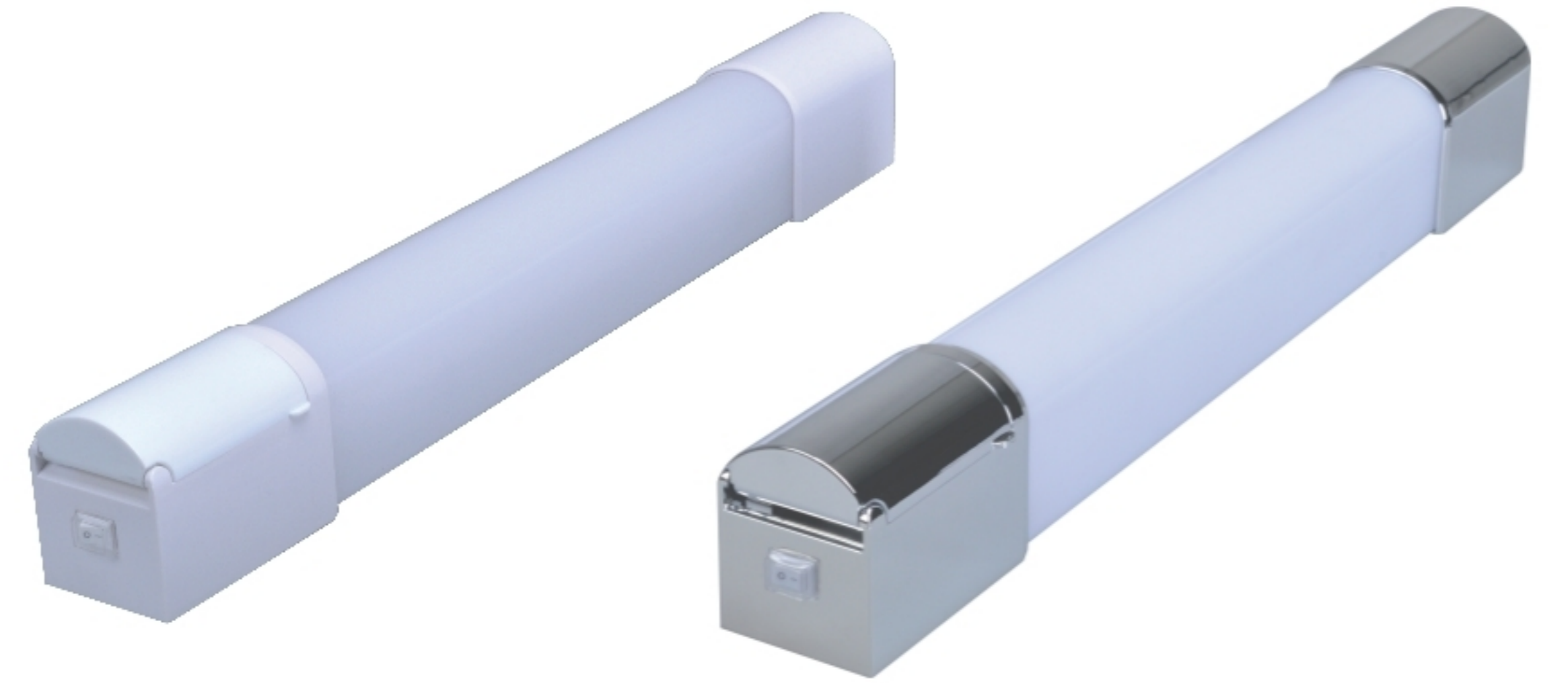
Rated Power:2000W Max.
(alternative)



25 WS50-8 Series

Feature

- Waterproof design, suitable for bathroom
- Surface emitting light with gentle beam
- Stable performance and use-friendly

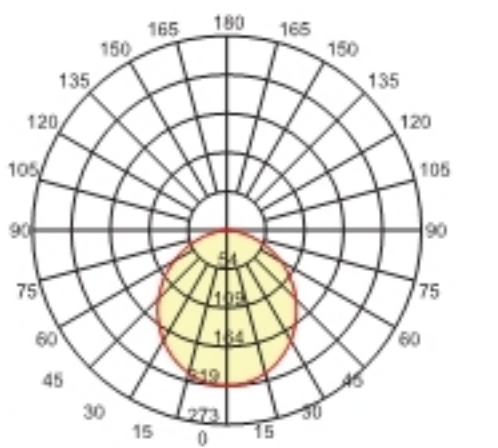


26

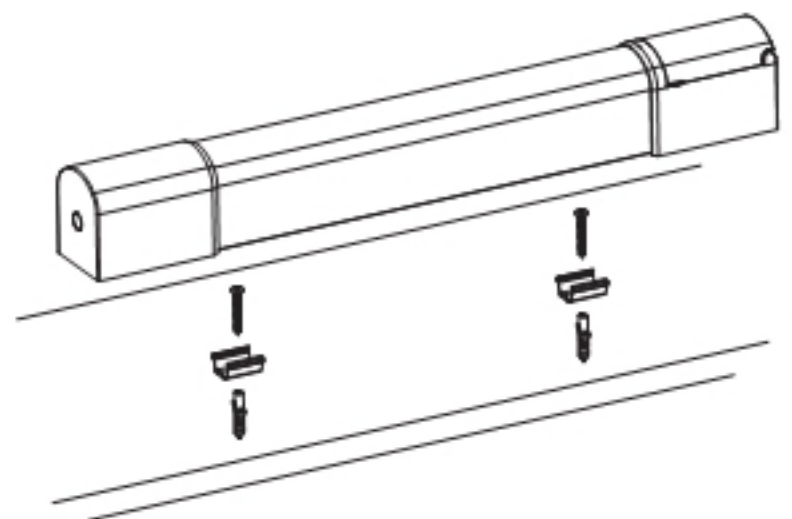
Specifications

Model	Part Number	Size(mm)	Power(W)	Voltage(V AC)	Beam Angle(°)	Lumen(lm)
WS50	W490S50-8	59×66×492	10	220~240	133	750

The data listed above is based on CCT of 3000K



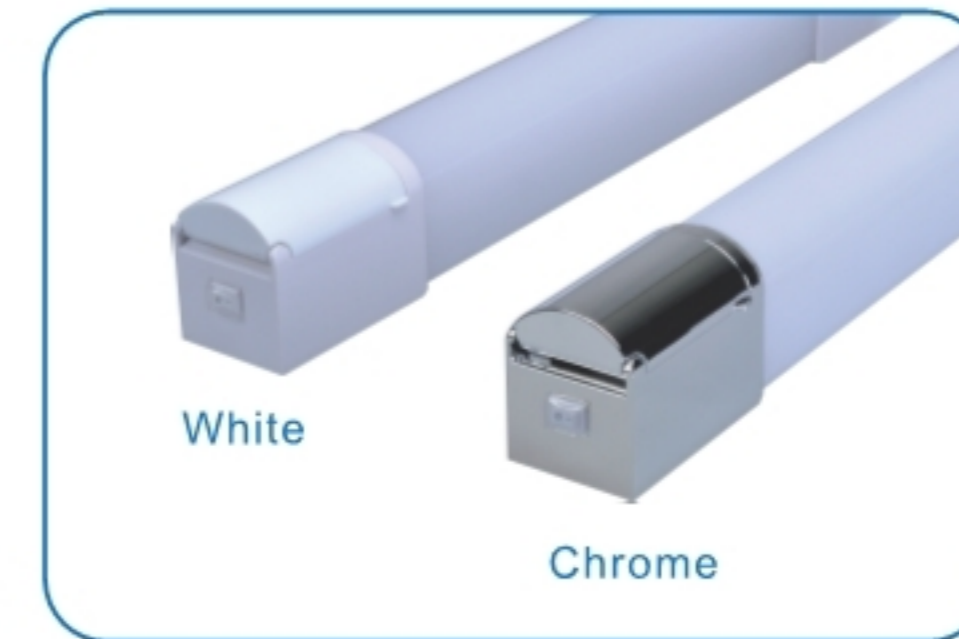
Installation



Product display



Features





27 WS51-1 Series

Feature

- Waterproof design, suitable for bathroom
- Surface emitting light with gentle beam
- Stable performance and use-friendly
- Portable installation



Portable installation

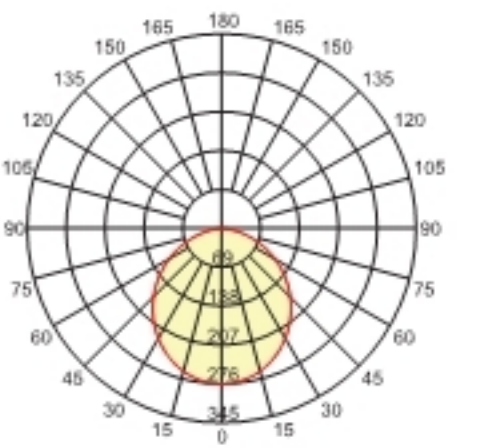
IP44



28

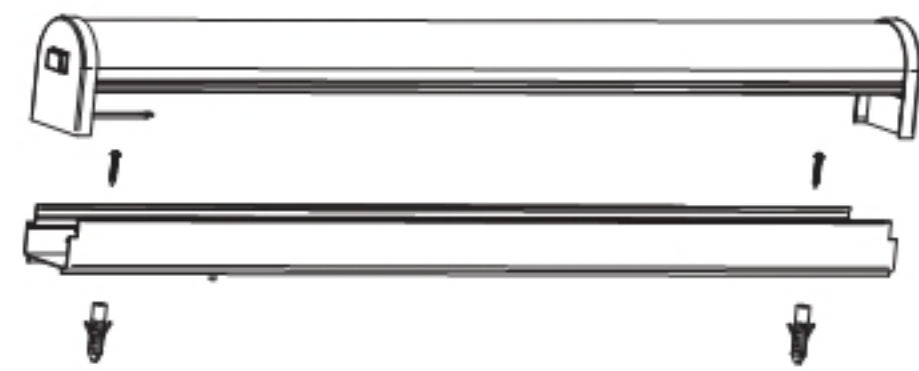
Specifications

Model	Part Number	Size(mm)	Power(W)	Voltage(V AC)	Beam Angle(°)	Lumen(lm)
WS51-1	W410S51-1	55×70×410	6	230	140	540
	W600S51-1	55×70×600	15			1275
	W900S51-1	55×70×900	20			1700

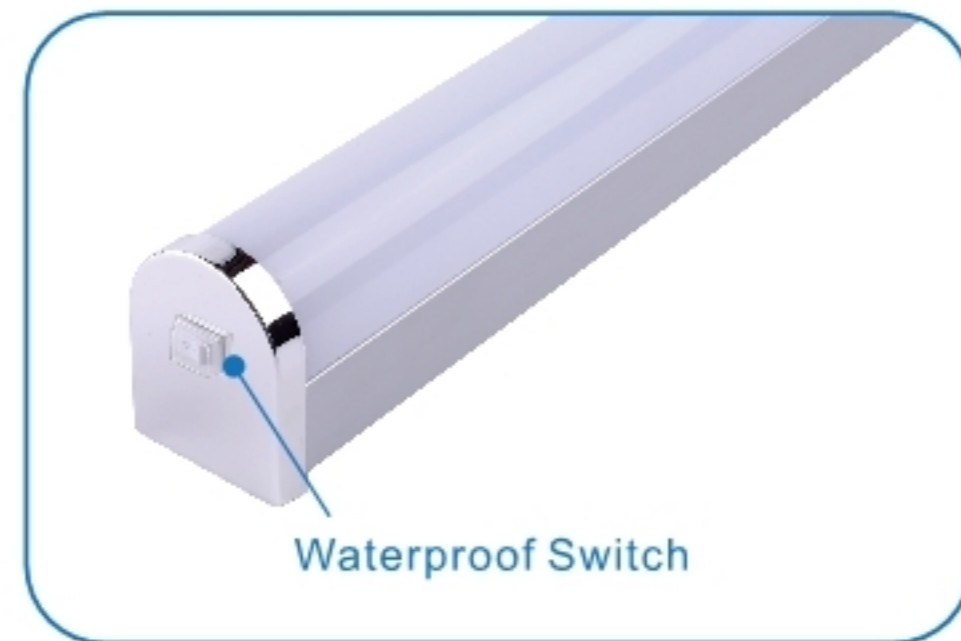


The data listed above is based on CCT of 3000K.

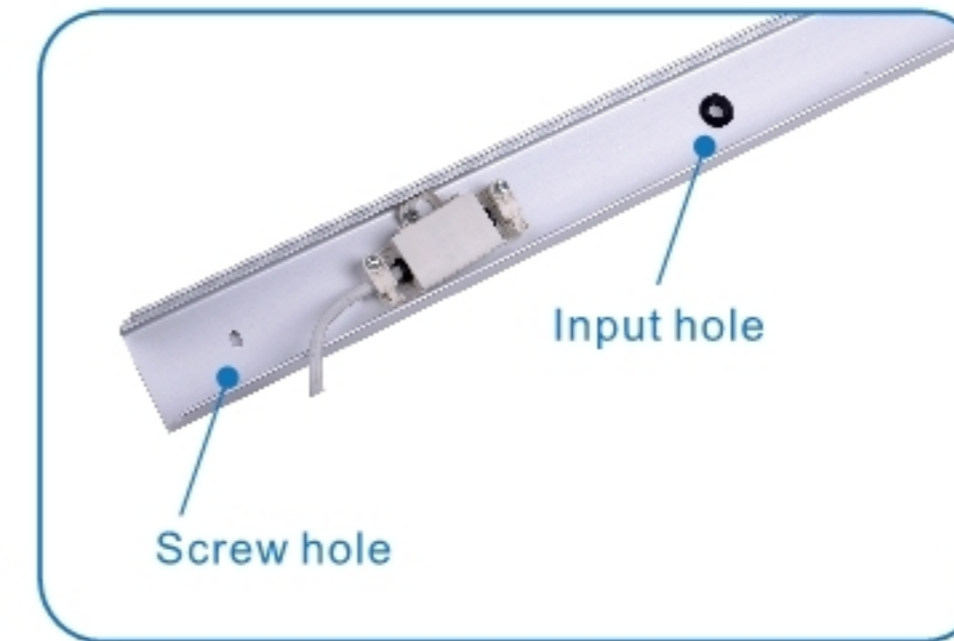
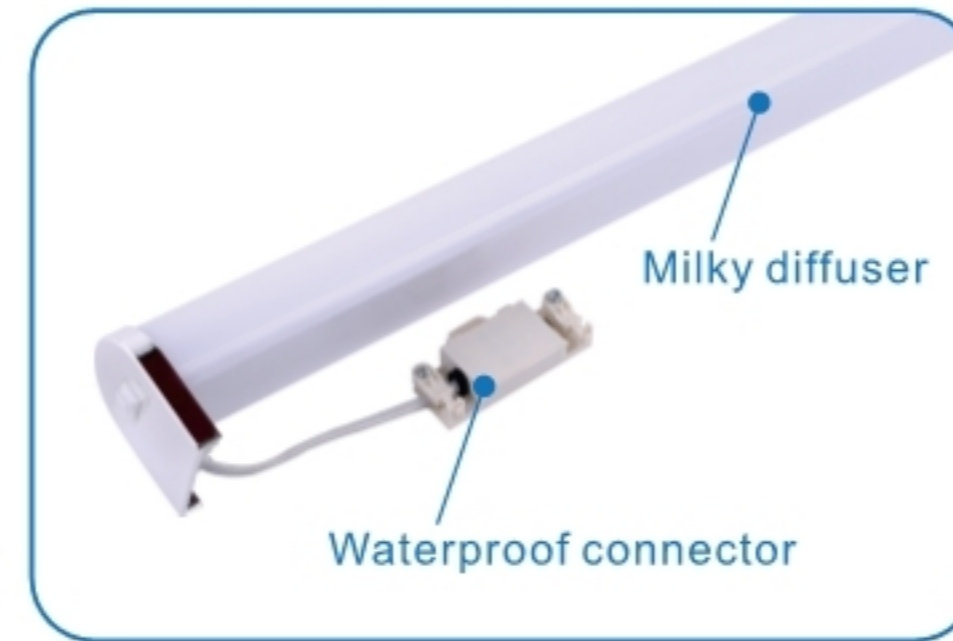
Installation



Product display



Features



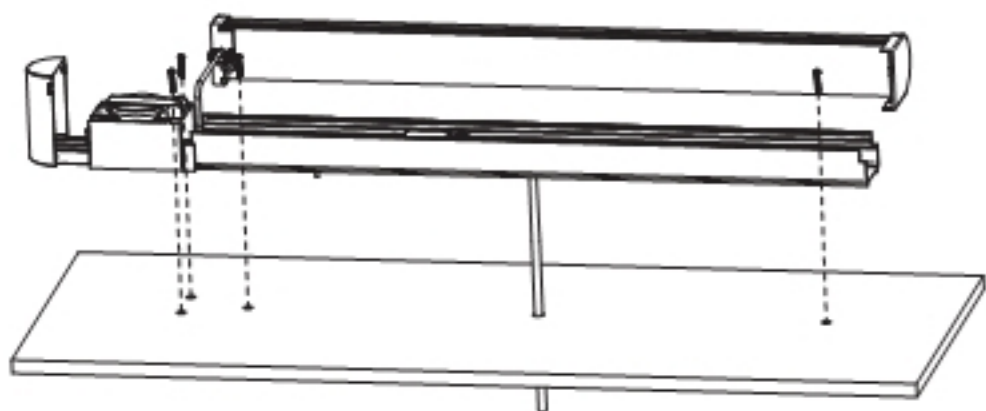
29 WS51-2 Series



Feature

- Waterproof design, suitable for bathroom
- Surface emitting light with gentle beam
- Stable performance and use-friendly
- Portable installation

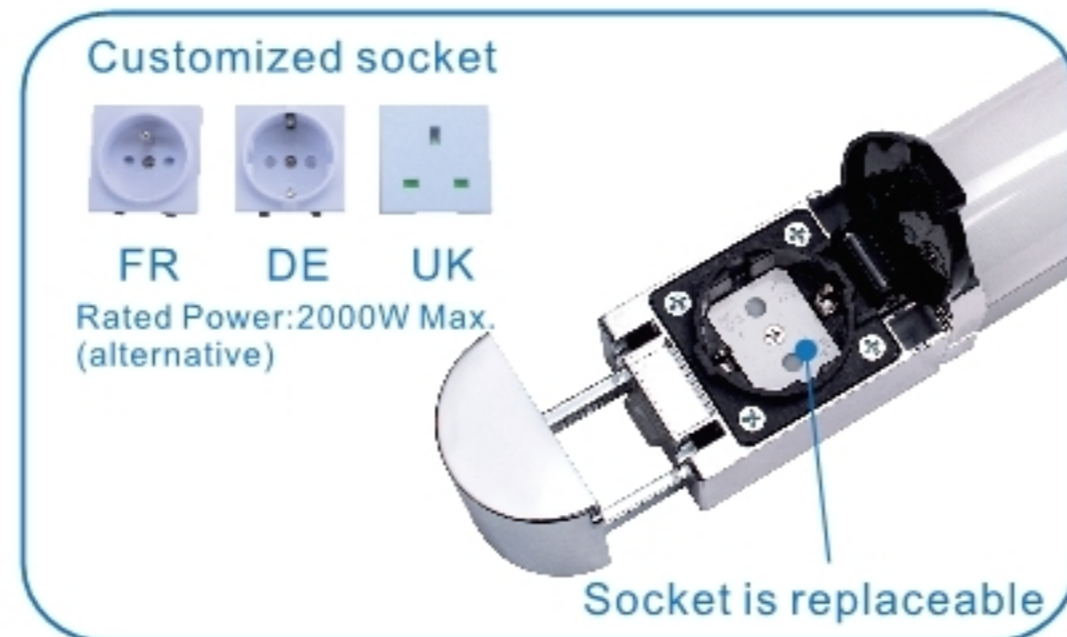
Installation



Product display



Waterproof Switch



Customized socket



FR DE UK
Rated Power: 2000W Max.
(alternative)

Socket is replaceable



Portable installation



Specifications

Model	Part Number	Size(mm)	Power(W)	Voltage(V AC)	Beam Angle(°)	Lumen(lm)
WS51-2	W490S51-2	55X70X492	6	230	140	540
	W680S51-2	55X70X682	15			1275
	W980S51-2	55X70X982	20			1700

The data listed above is based on CCT of 3000K.

Features



Milky diffuser

Lighting part and mounting base could be separated



Input hole

IP44 waterproof box



chrome

black

silver



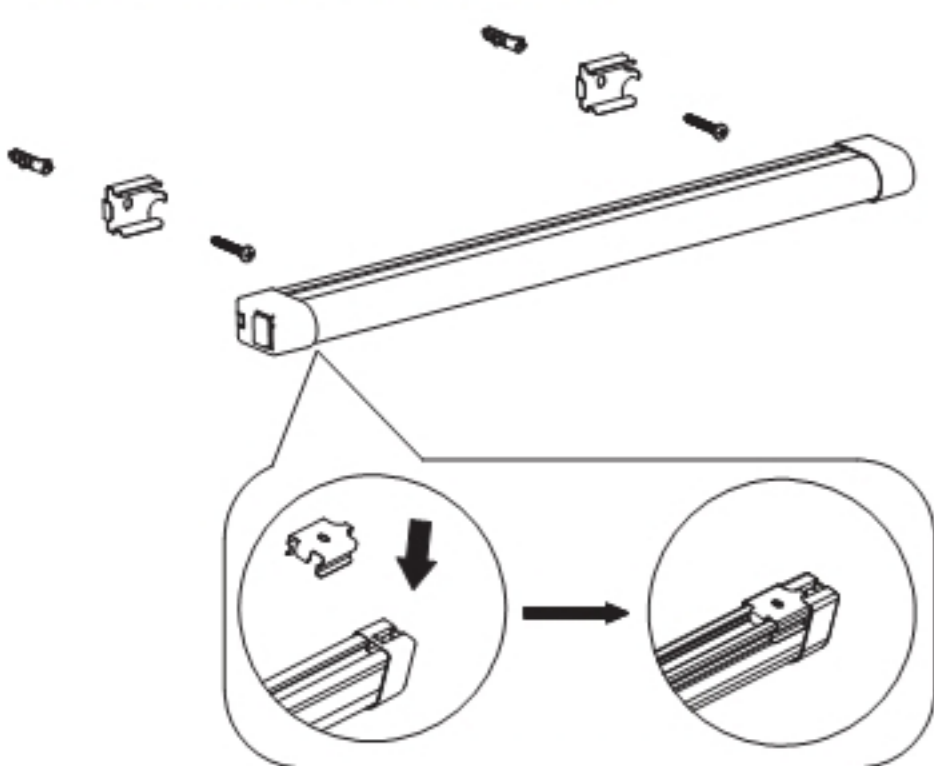
30

31 WS17 Series

Feature

- Alternative end caps
- IP44
- Fashionable and delicate appearance

Installation



Product display



Portable installation



IP44

NEW

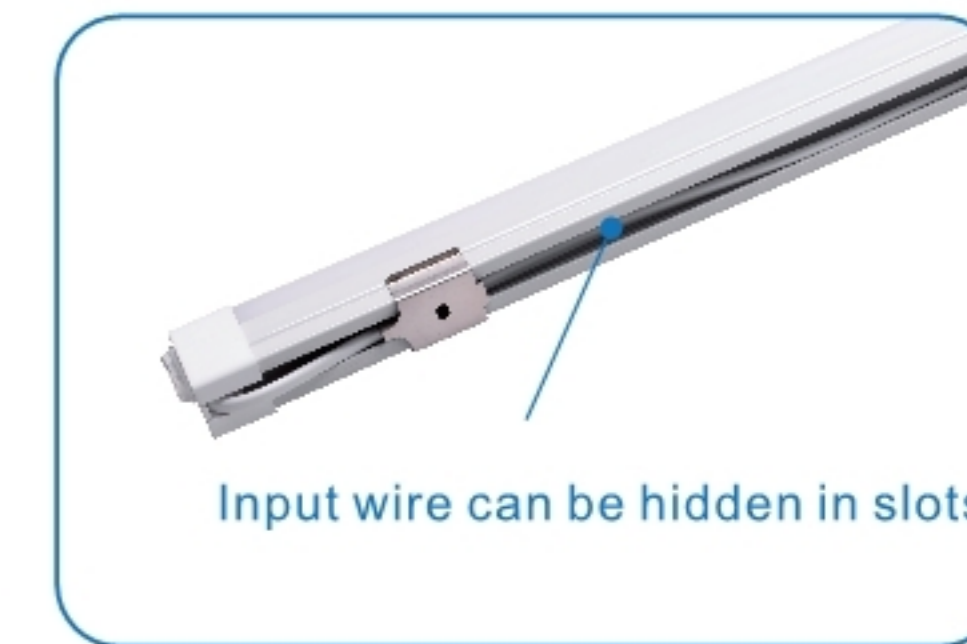
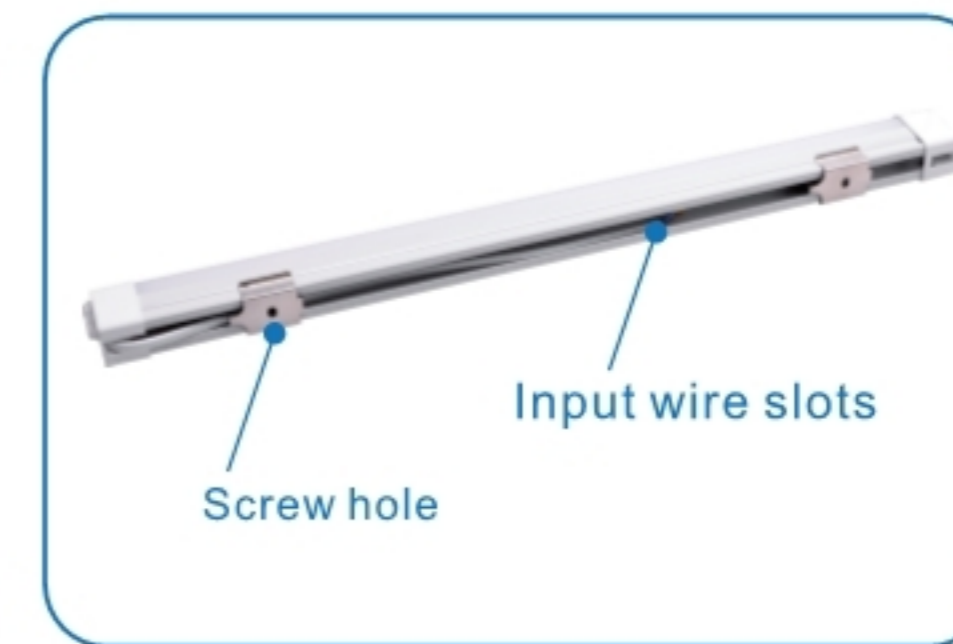
32

Specifications

Model	Part Number	Size(mm)	Power(W)	Voltage(V AC)	Beam Angle(°)	Lumen(lm)
WS17	W300S17	24.4×41.4×300	5	230	136	400
	W400S17	24.4×41.4×400	6			540
	W450S17	24.4×41.4×400	7			630
	W600S17	24.4×41.4×600	15			1350
	W770S17	24.4×41.4×774	18			1620
	W900S17	24.4×41.4×974	20			1800
	W1000S17	24.4×41.4×1004	20			1800

The data listed above is based on CCT of 3000K.

Features





33 WS52 Series

Feature

- Waterproof design, suitable for bathroom
- Surface emitting light with gentle beam
- Stable performance and use-friendly
- Portable installation



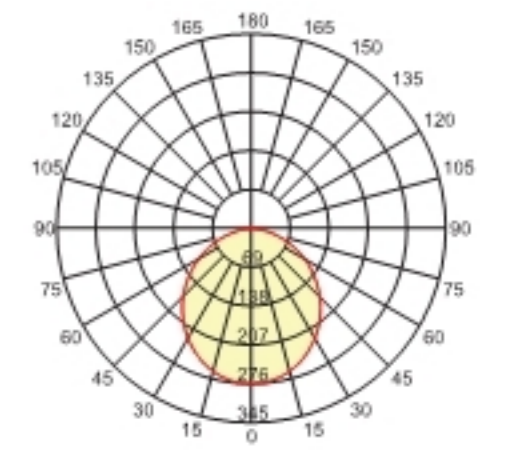
15.5mm
Thickness



34

Specifications

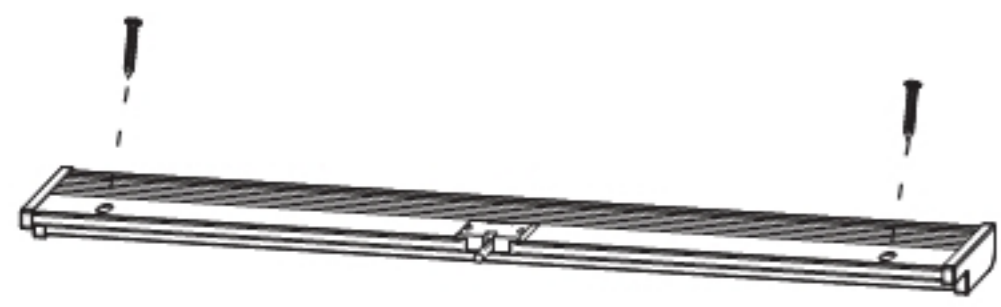
Model	Part Number	Size(mm)	Power(W)	Voltage(V AC)	Beam Angle(°)	Lumen(lm)
WS52	W400S52	45×15.5×400	10	230	110	700
	W600S52	45×15.5×600	15			1050
	W800S52	45×15.5×800	20			1400
	W1000S52	45×15.5×1000	25			1750
	W1200S52	45×15.5×1200	30			2100



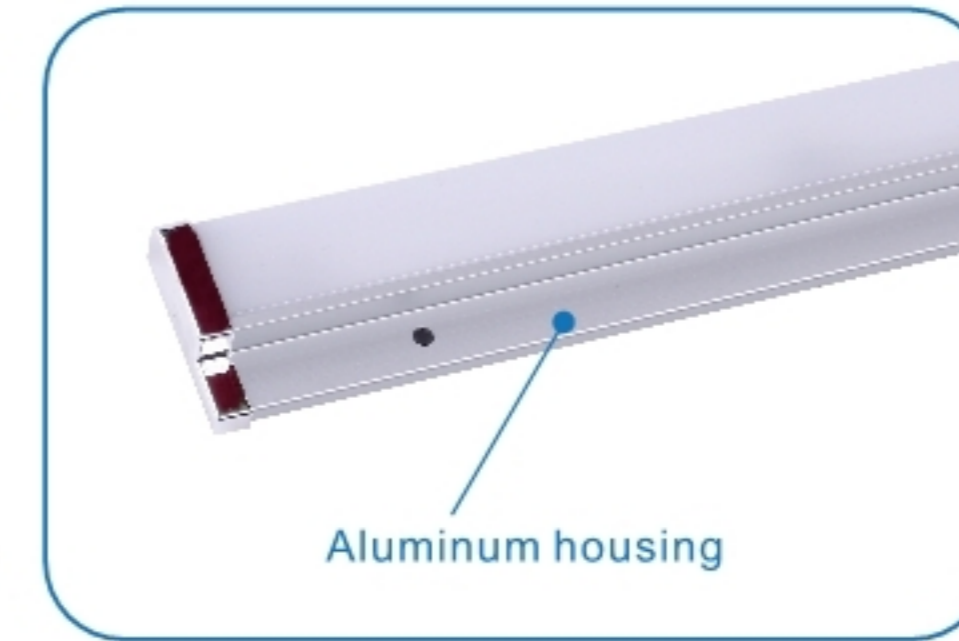
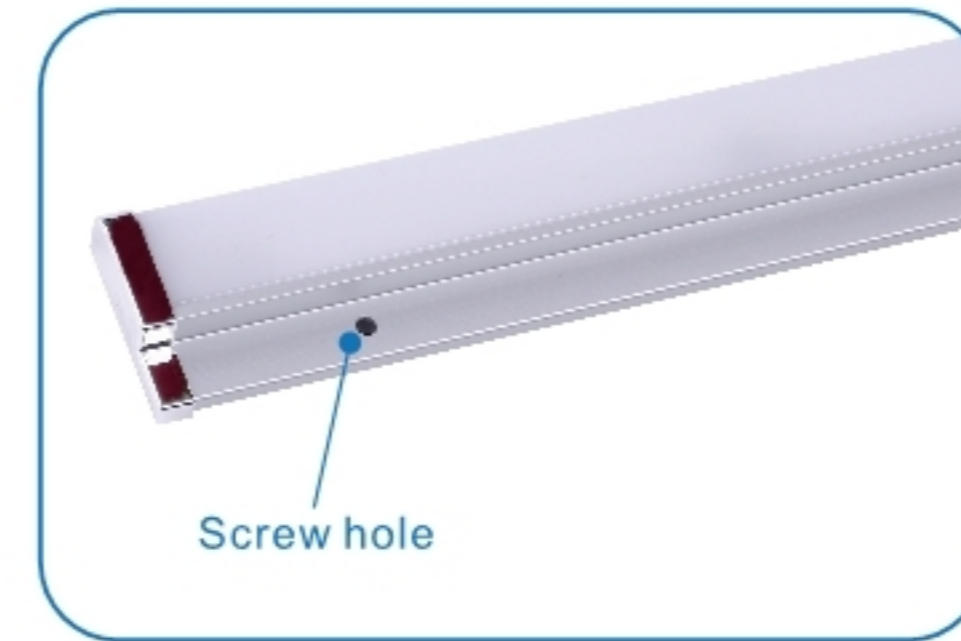
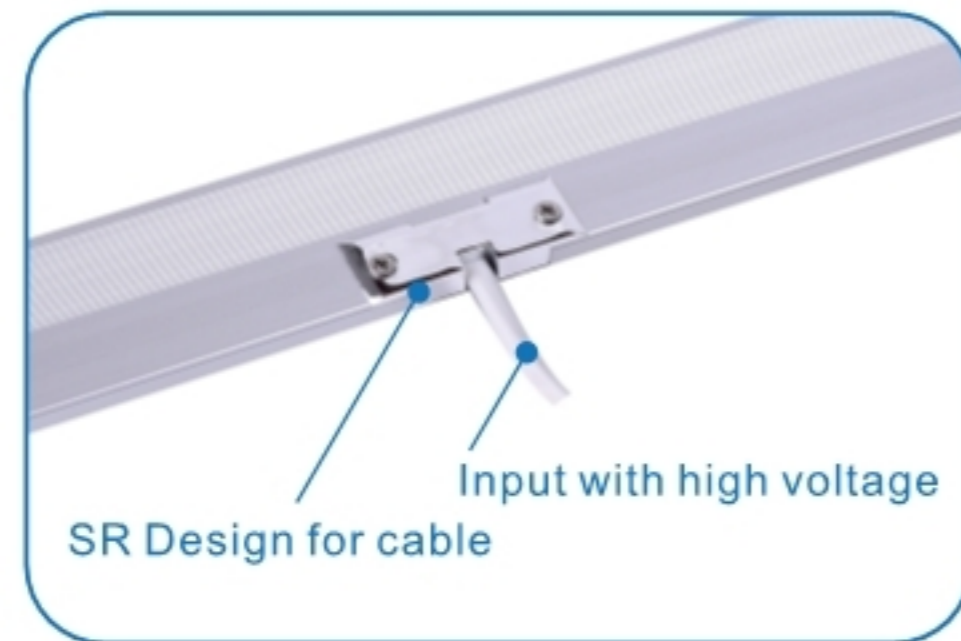
The data listed above is based on CCT of 3000K.

Features

Installation



Product display





Feature

- Working with voltage of 230V AC.
- Plastic housing
- With rocker switch.
- Seamless connection.



Cost Effective



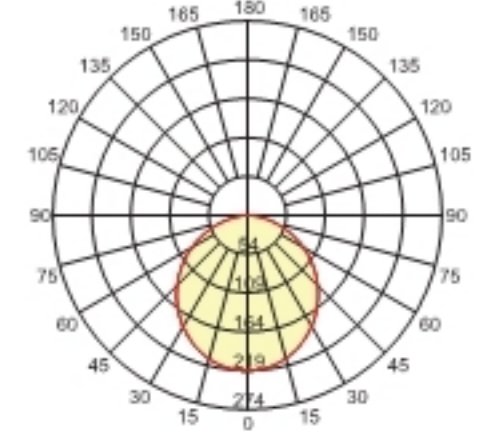
36

Specifications

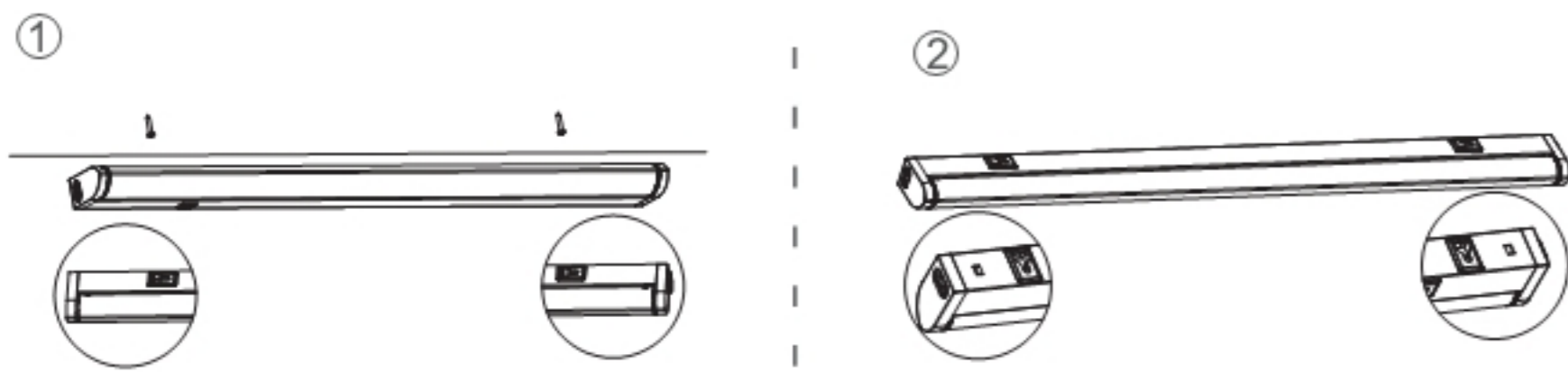
Model	Part Number	Size(mm)	Power(W)	Voltage(V AC)	Beam Angle(°)	Lumen(lm)
LS44	L360S44	46×29×360	5	230	110	350
	L560S44	46×29×560	8			600
	L860S44	46×29×860	12			1020

None T:Single CCT; -2T:Double CCT; -3T:Triple CCT;

The data listed above is based on CCT of 3000K.



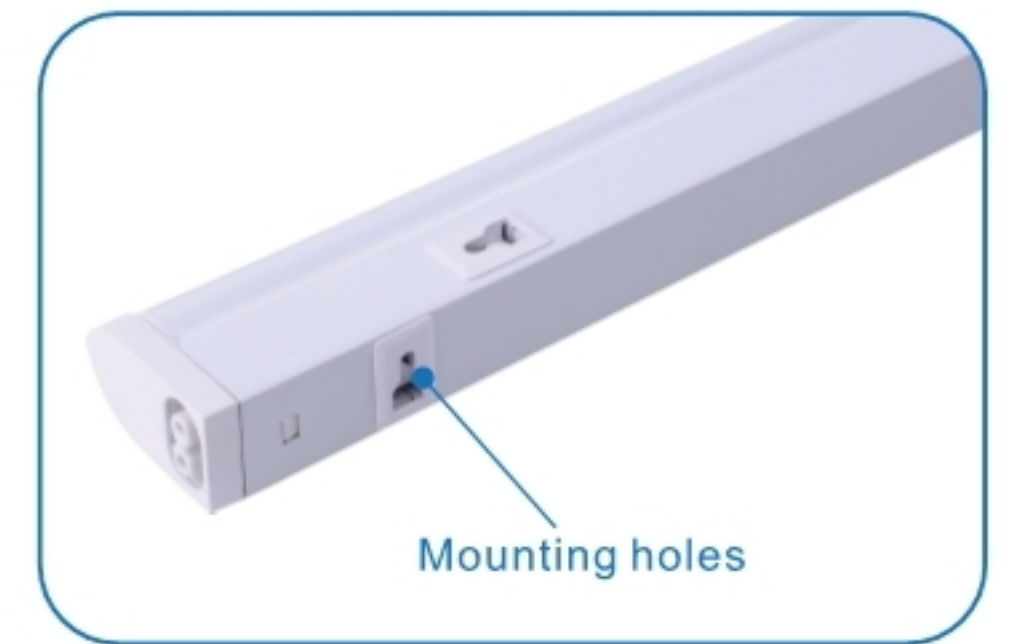
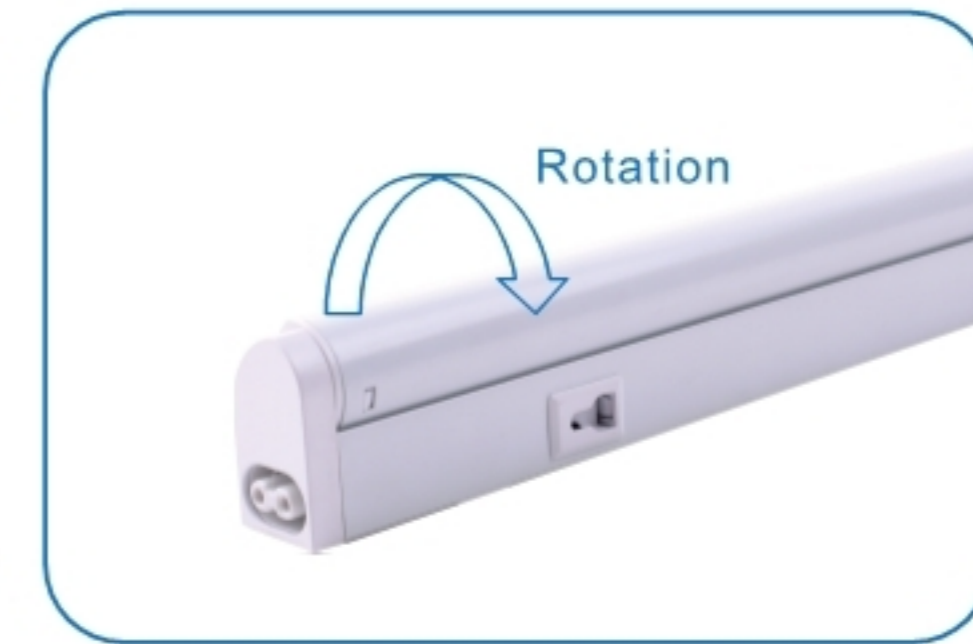
Installation



Product display



Features



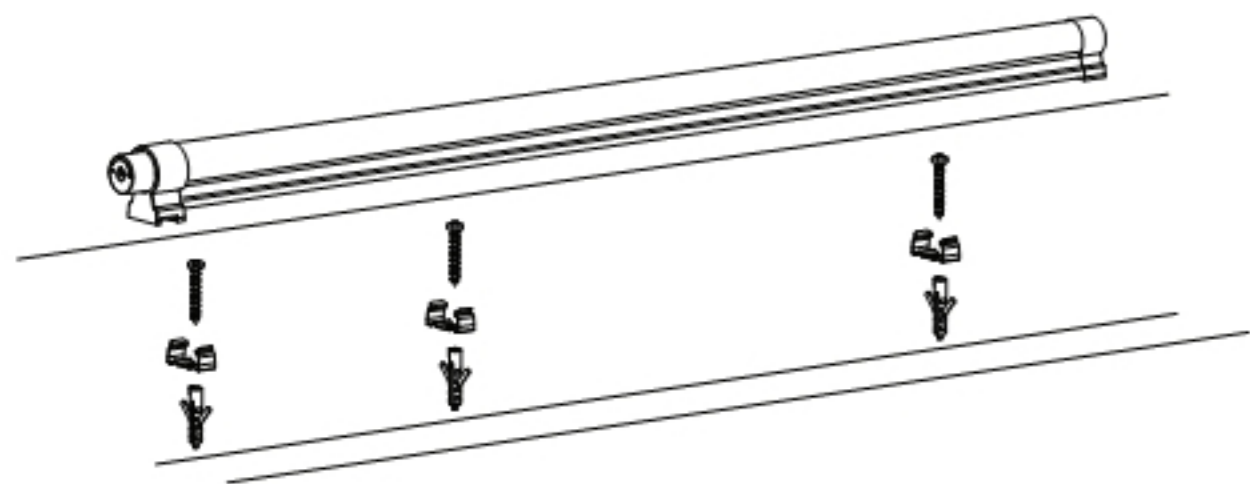


37 LS23 Series

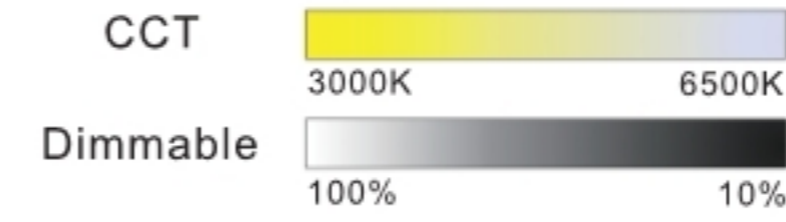
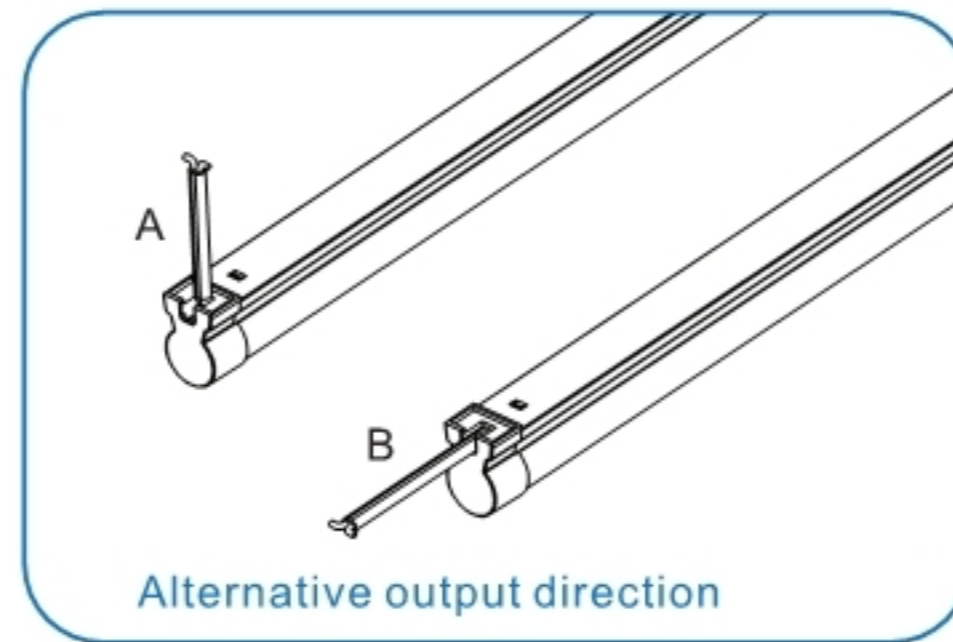
Feature

- Input Voltage: 230V
- Dimmable and CCT-changing.
- Milky diffuser without dark area.
- Plastic housing

Installation



Product display



Rotary switch



38

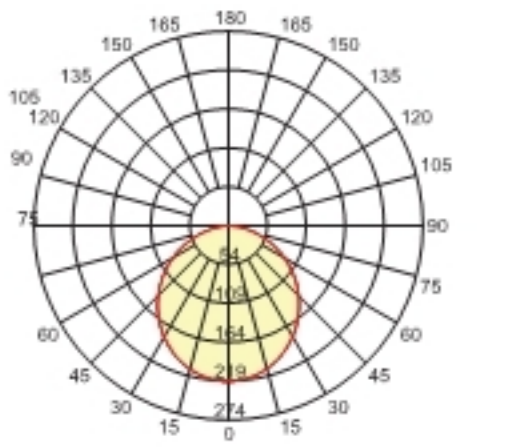
1. Press the switch, the light on and Rotate switch change CCT.
2. Press the switch again .Rotate switch dimmable.
3. Short press to switch on/off function.
4. Press and hold to turn light off.

Specifications

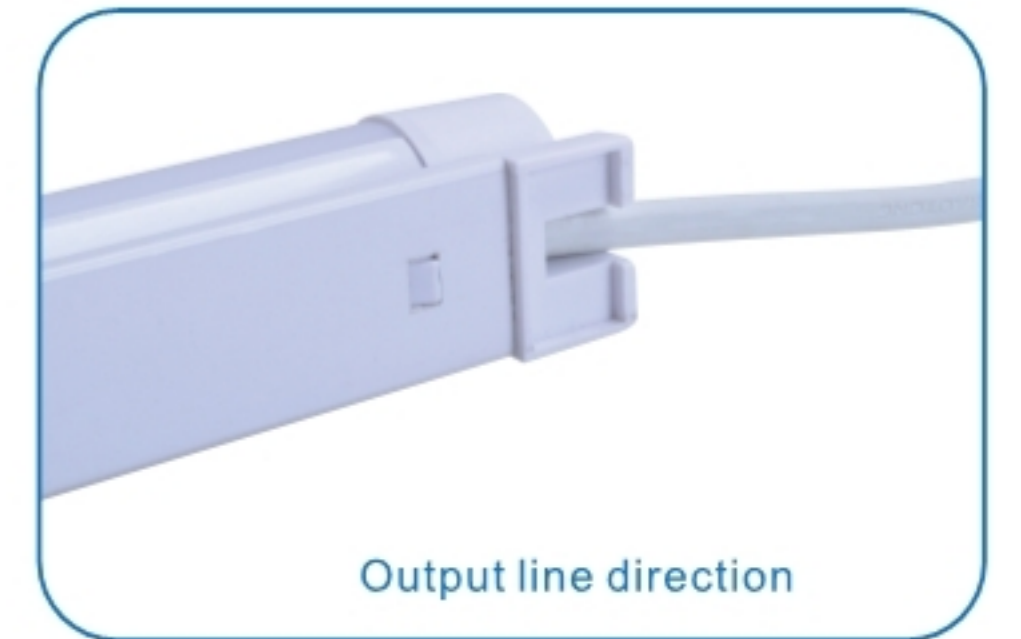
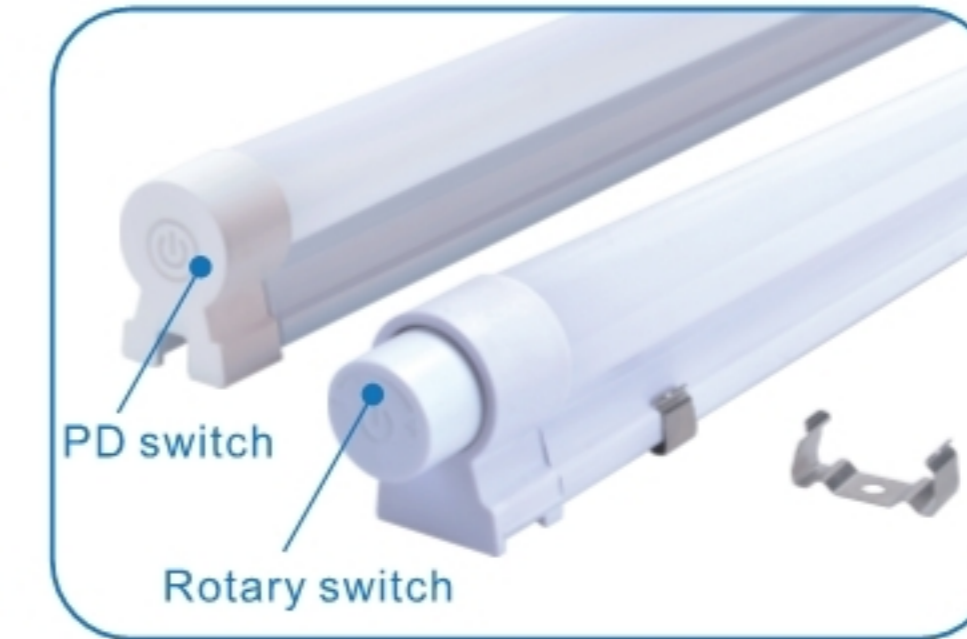
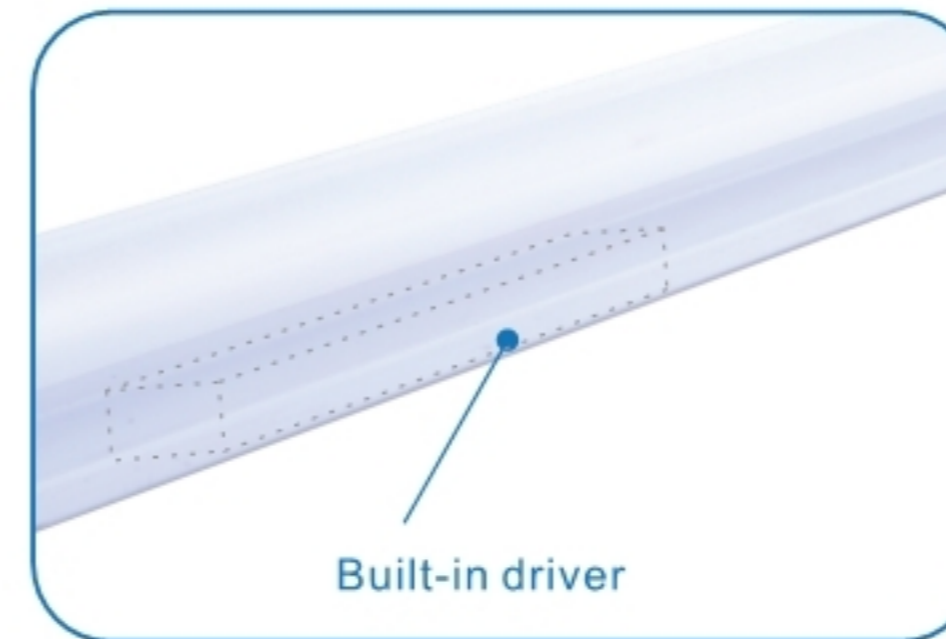
Model	Part Number	Size(mm)	Power(W)	Voltage(V AC)	Beam Angle(°)	Lumen(lm)
LS23	L600S23	25×38×600	8	220-240	140	640
	L900S23	25×38×900	12			960

The data listed above is based on CCT of 3000K.

Model	Part Number	Size(mm)	Power(W)	Voltage(V AC)	Beam Angle(°)	Lumen(lm)
LS23PD	L600S23PD	25×38×600	8	220-240	140	640
	L900S23PD	25×38×900	12			960



Features



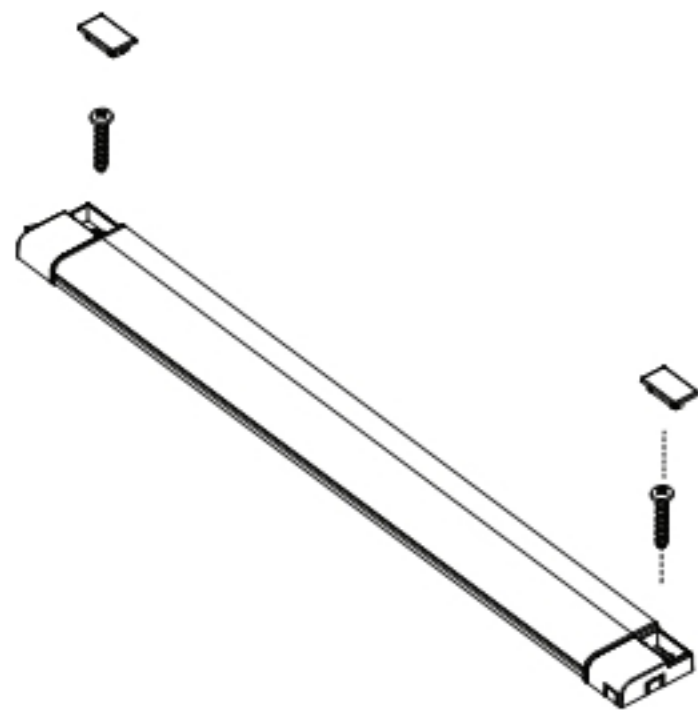


39 LS33 Series

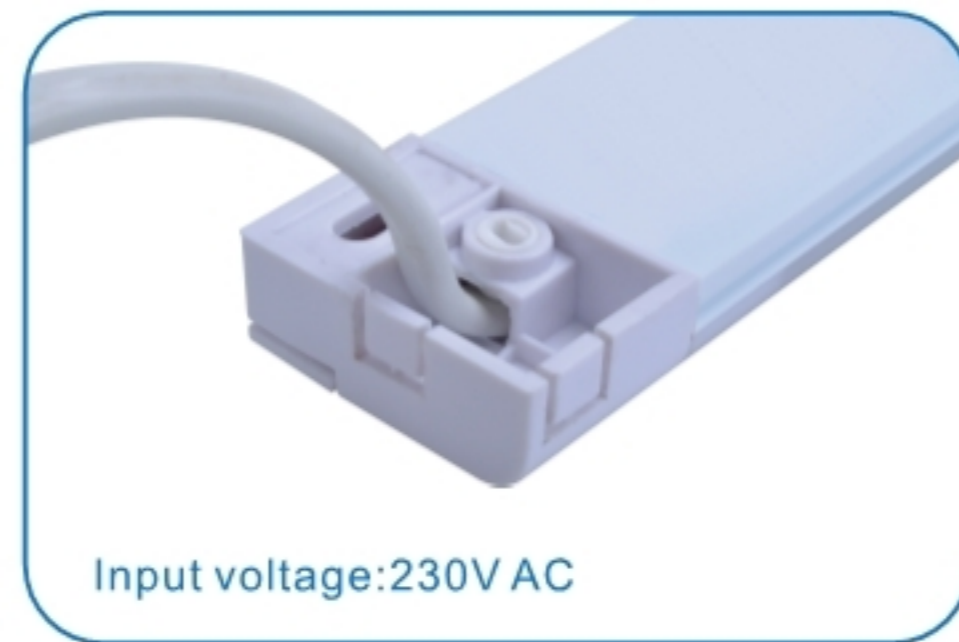
Feature

- Working with voltage of 230V AC.
- Plastic housing
- With rocker switch.

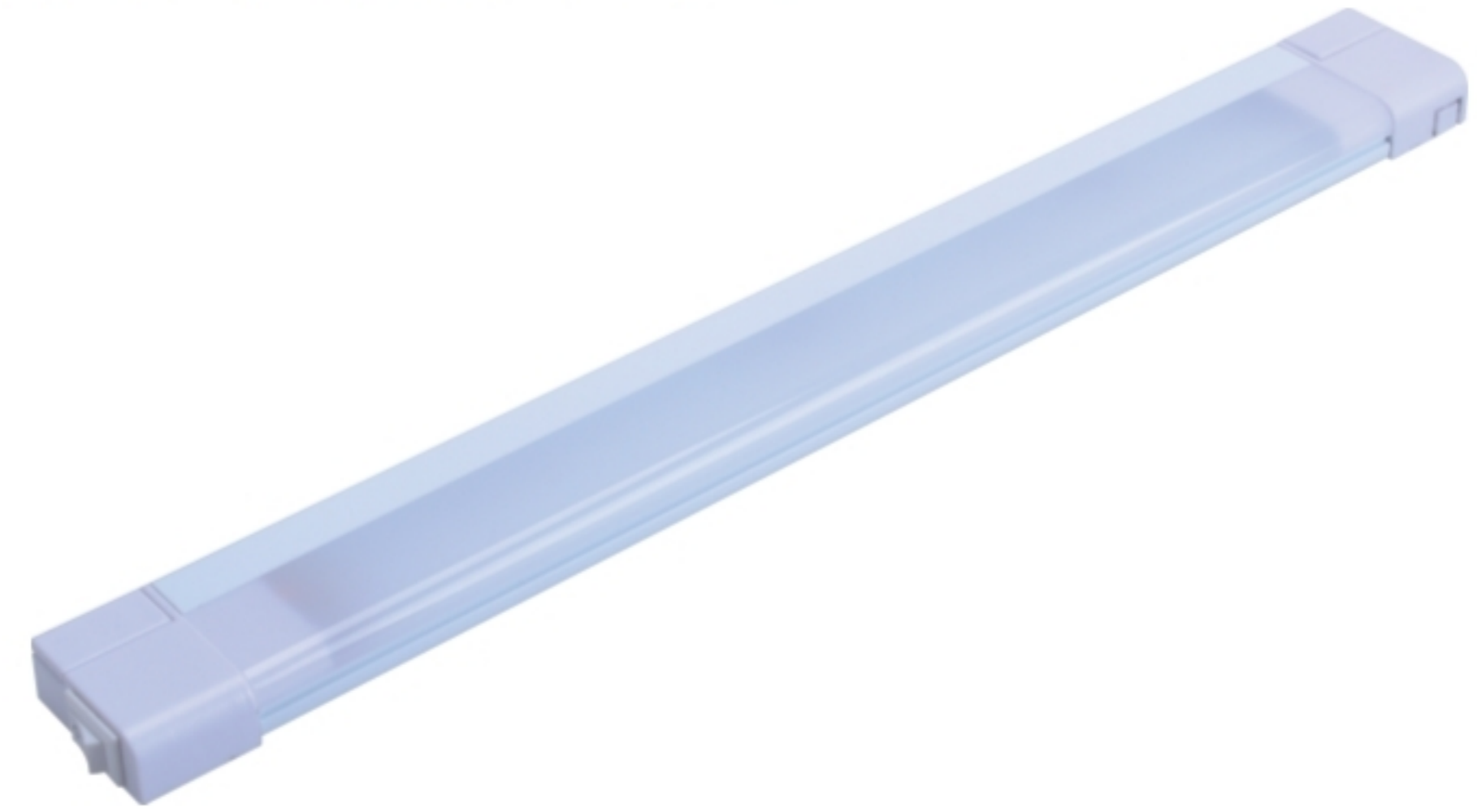
Installation



Product display



230V AC
Cost-Effective

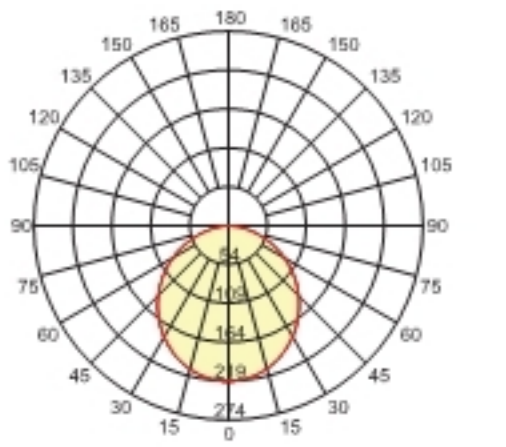


40

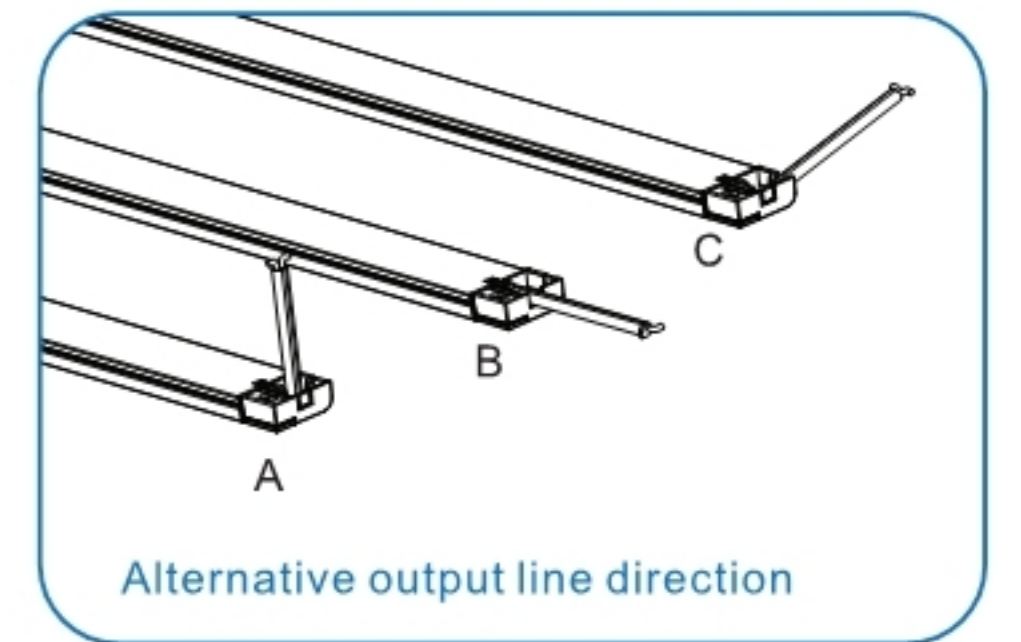
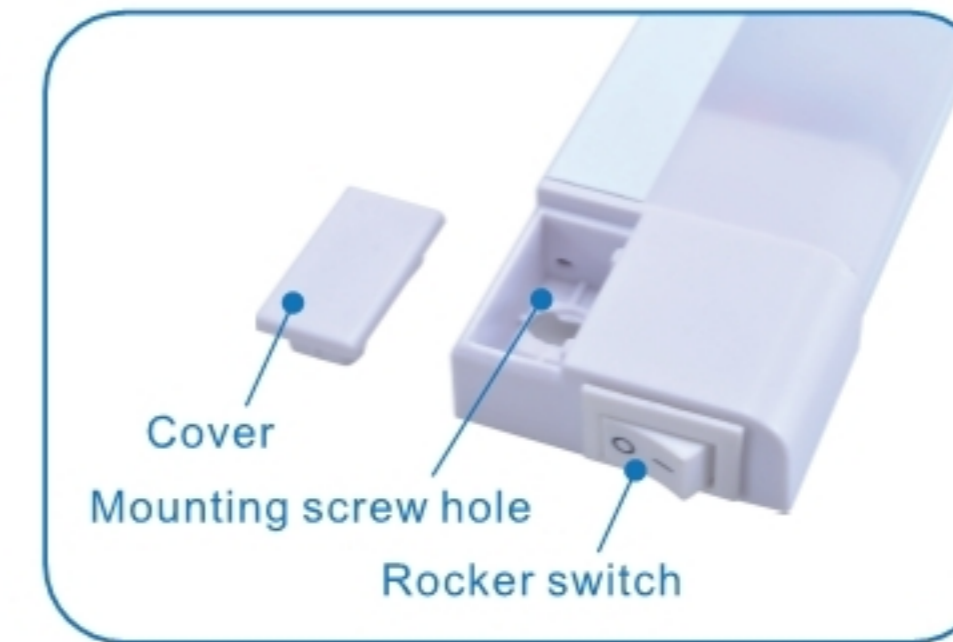
Specifications

Model	Part Number	Size(mm)	Power(W)	Voltage(V AC)	Beam Angle(°)	Lumen(lm)
LS33	L300S33	33×12×300	4	230	113	240
	L500S33	33×12×500	8			520
	L600S33	33×12×600	8			520
	L800S33	33×12×800	12			780

The data listed above is based on CCT of 3000K.



Features



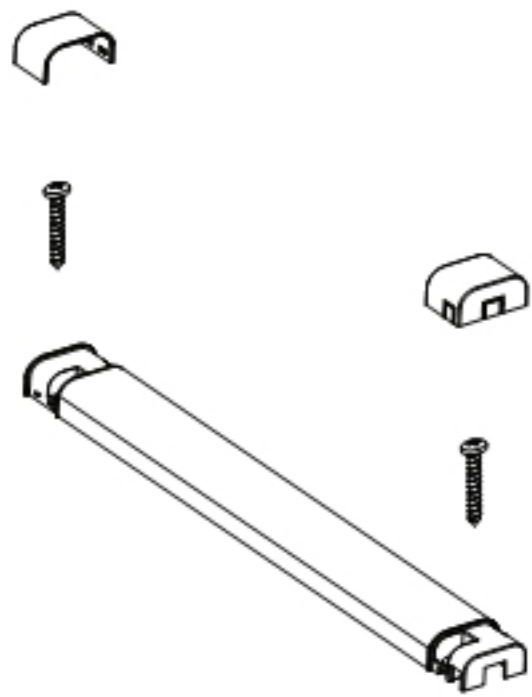


41 LS241 Series

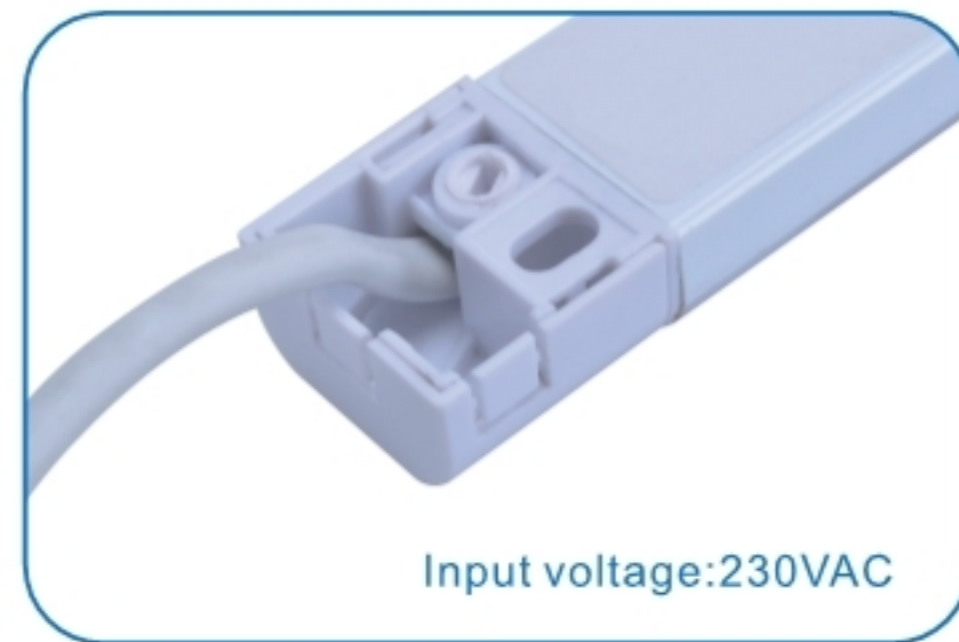
Feature

- Working with voltage of 230V AC.
- Plastic housing
- With rocker switch.

Installation



Product display



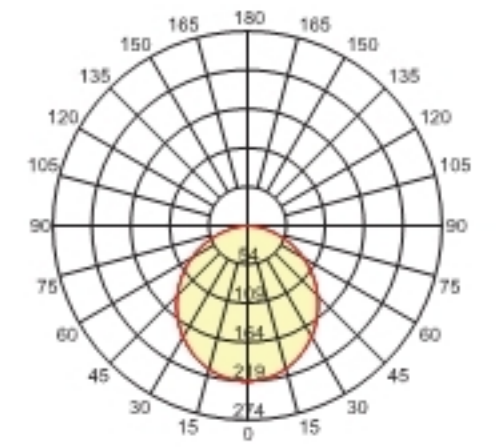
Cost Effective



42

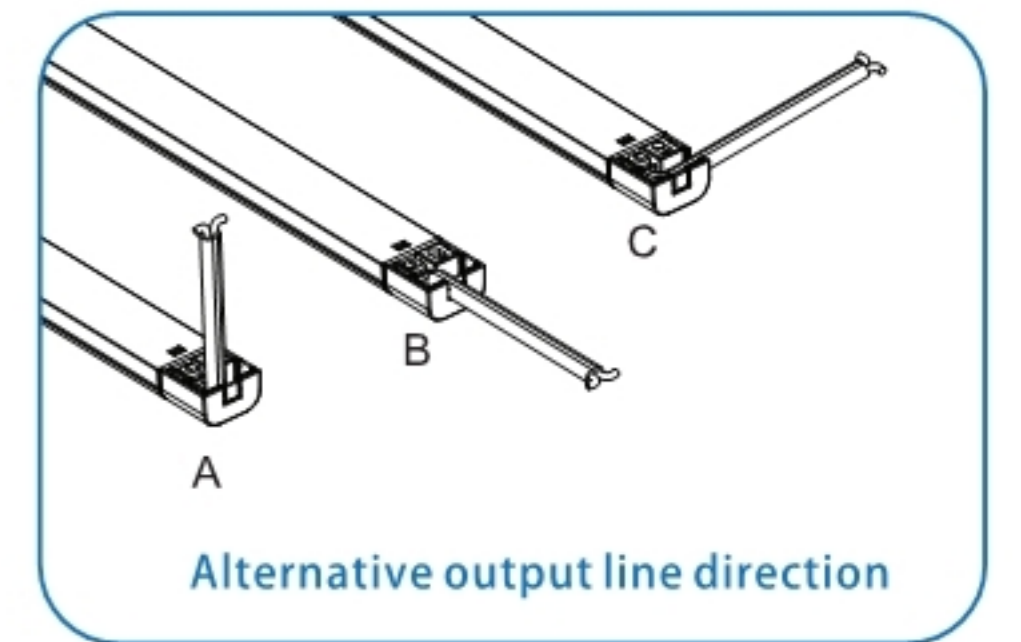
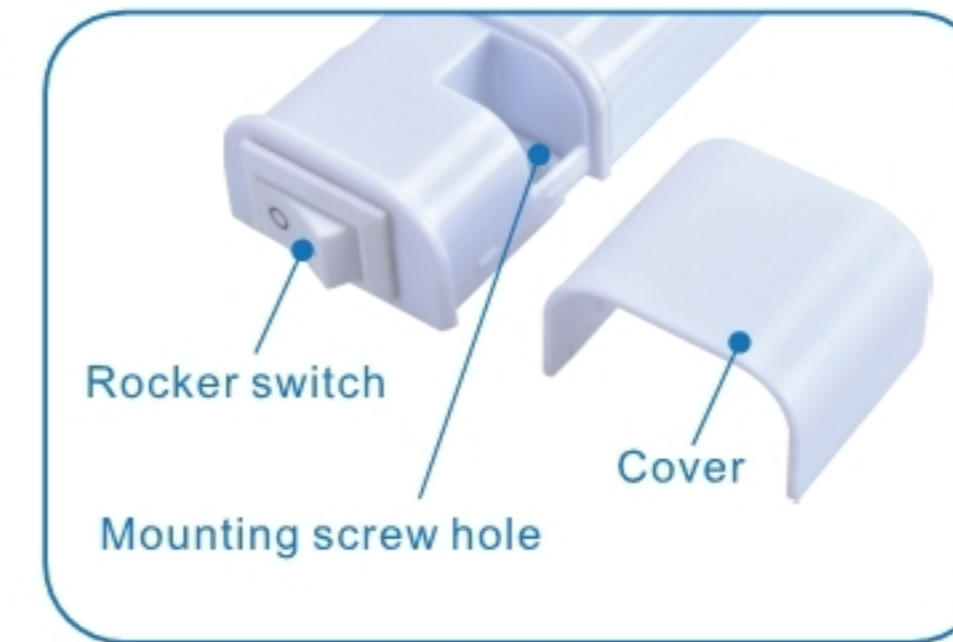
Specifications

Model	Part Number	Size(mm)	Power(W)	Voltage(V AC)	Beam Angle(°)	Lumen(lm)
LS241	L300S241	24×13×300	4	230	120	280
	L500S241	24×13×500	8			640
	L600S241	24×13×600	8			640
	L800S241	24×13×800	12			960



The data listed above is based on CCT of 3000K.

Features

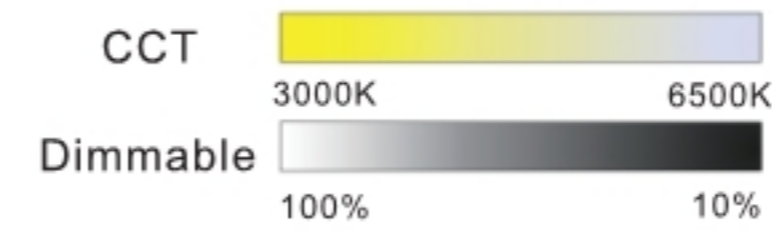




43 LS471 Series

Feature

- Dimmable and CCT-changing.
- Aluminium housing is good for heat dissipation
- 220VAC input voltage

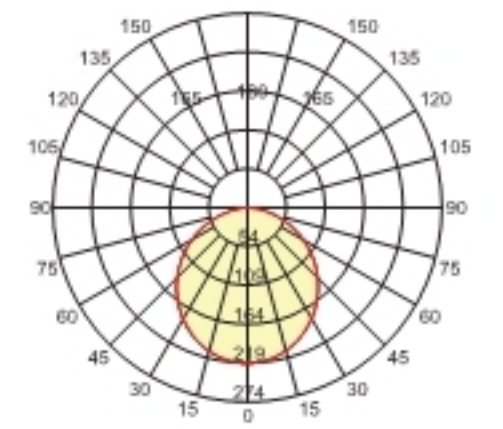


1. Press the switch, the light on and Rotate switch change CCT.
2. Press the switch again .Rotate switch dimmable.
3. Short press to switch on/off function.
4. Press and hold to turn light off.

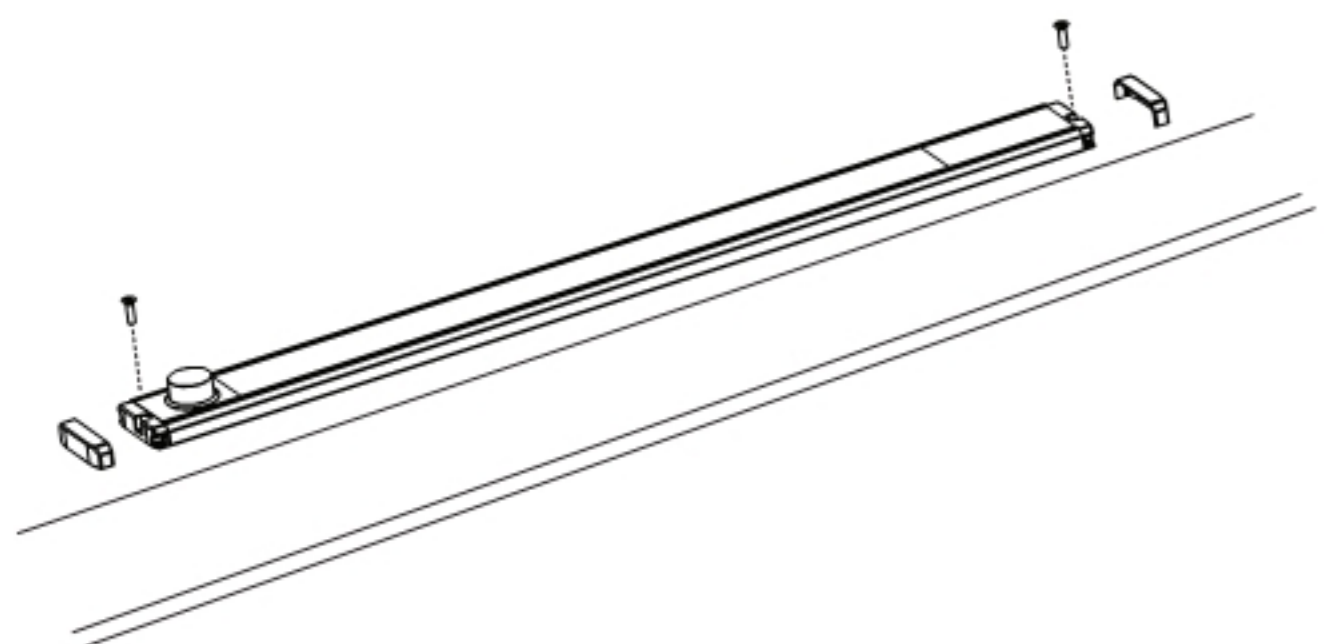
Specifications

Model	Part Number	Size(mm)	Power(W)	Voltage(V AC)	Beam Angle(°)	Lumen(lm)
LS471	L600S471	49×27.5×600	8	220-240	112	480

The data listed above is based on CCT of 3000K.



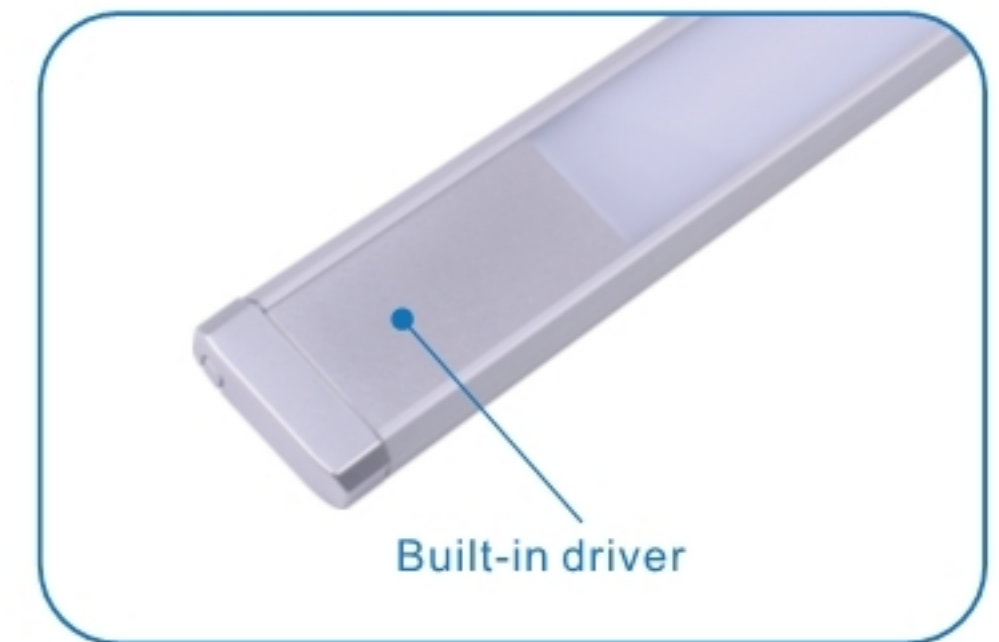
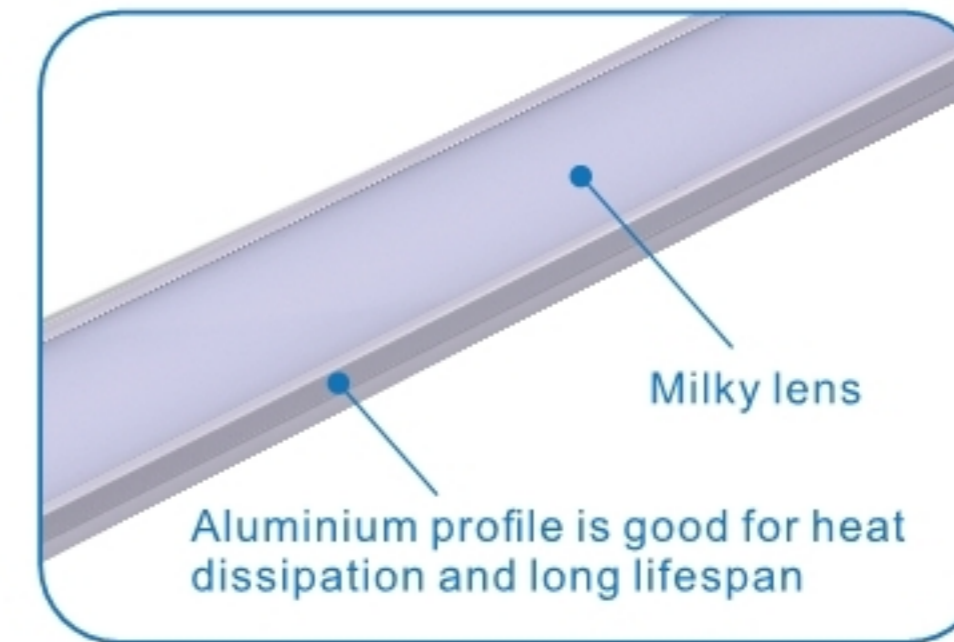
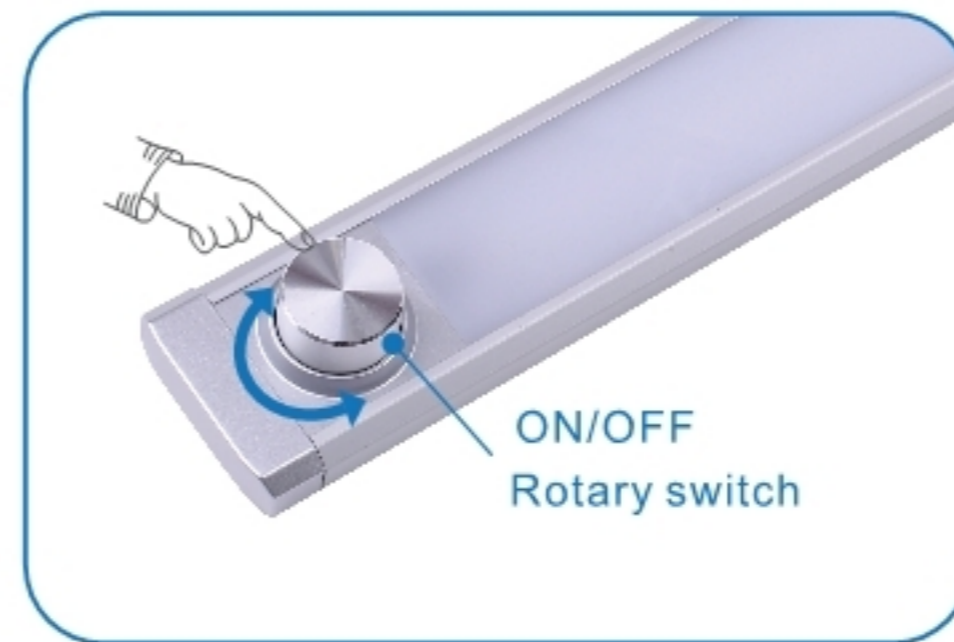
Installation



Product display



Features





45 LS110 Series

Feature

- 230V input Voltage
- Ultrathin design
- LGP emitting light with gentle beam

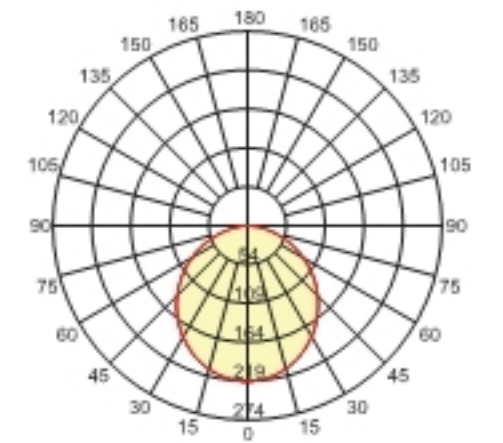


46

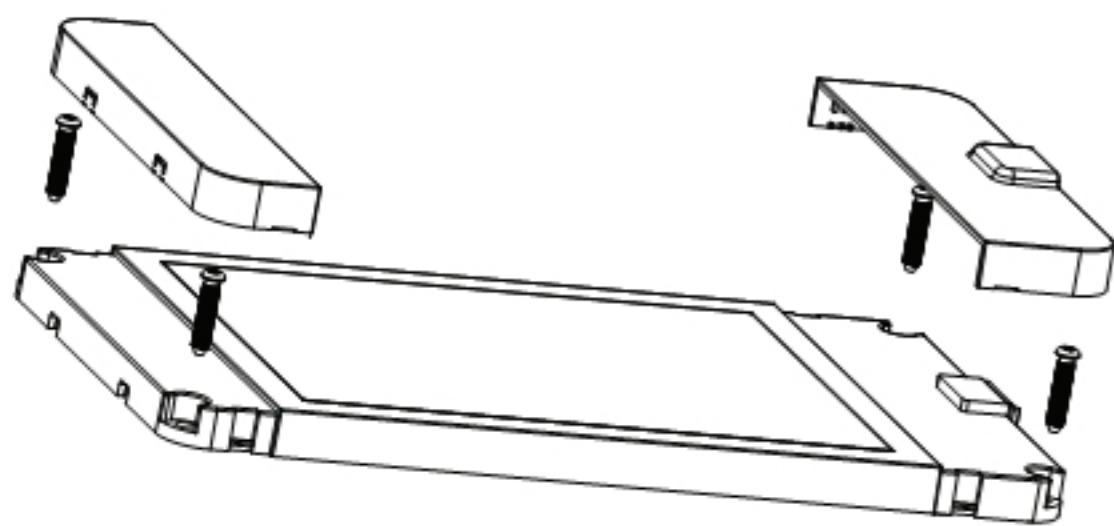
Specifications

Model	Part Number	Size(mm)	Power(W)	Voltage(V AC)	Beam Angle(°)	Lumen(lm)
LS110	LS110	110×200×10	4.5	230	110	202

The data listed above is based on CCT of 3000K.



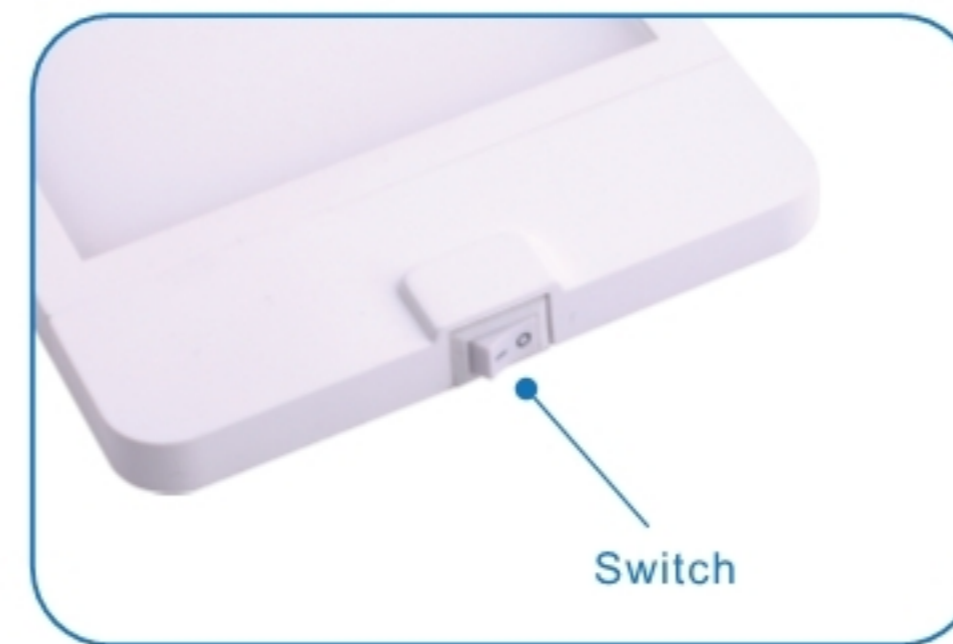
Installation



Product display



Features





47 LS46 Series

Feature

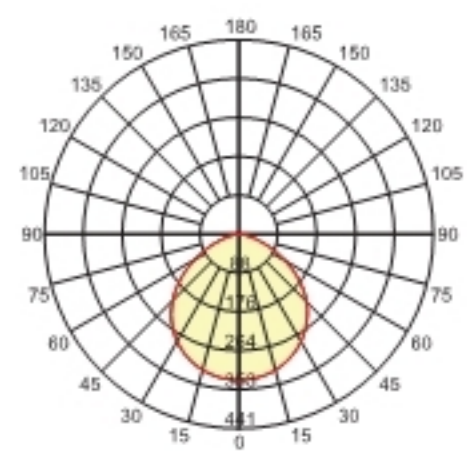
- Aluminium house is good for heat dissipation
- Easy installation with screws
- Anti-glare, Seamless connection
- Optional lens (milky or clear)
- Energy saving, long lifespan
- AC switch, Rated voltage: 100~240V AC



48

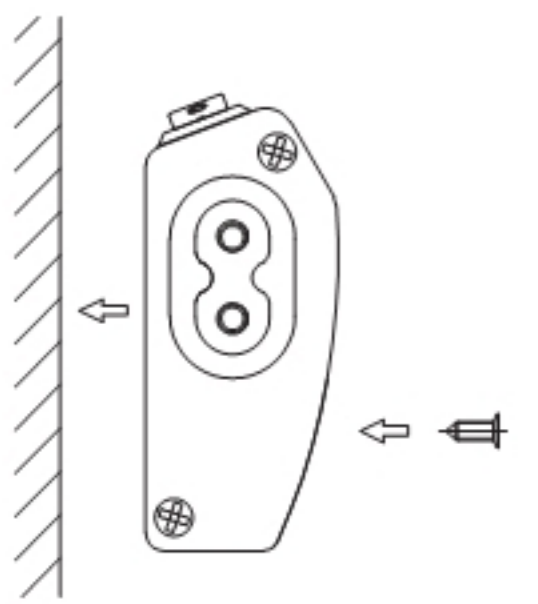
Specifications

Model	Part Number	Size(mm)	Power(W)	Voltage(V AC)	Beam Angle(°)	Lumen(lm)
LS46	L300S46	46×20×300	6	100-240	100	480
	L600S46	46×20×600	11			880
	L900S46	46×20×900	15			1200
	L1200S46	46×20×1200	20			1600



The data listed above is based on CCT of 3000K, frosted diffuser.

Installation



Product display



Features



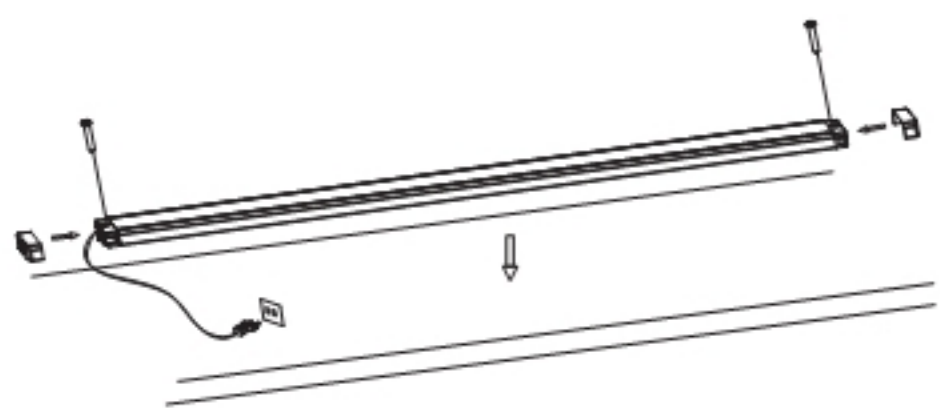


49 LS47 Series

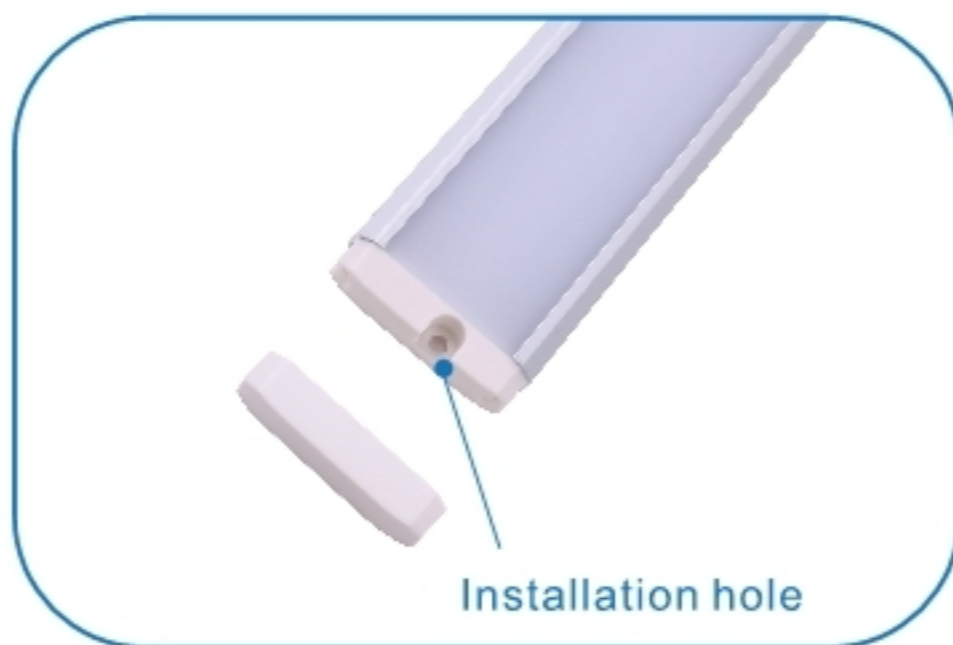
Feature

- Aluminium house is good for heat dissipation
- Easy installation with screws
- Optional lens(milky or clear)
- Energy saving, long lifespan
- AC switch, Rated voltage: 100~240V AC

Installation



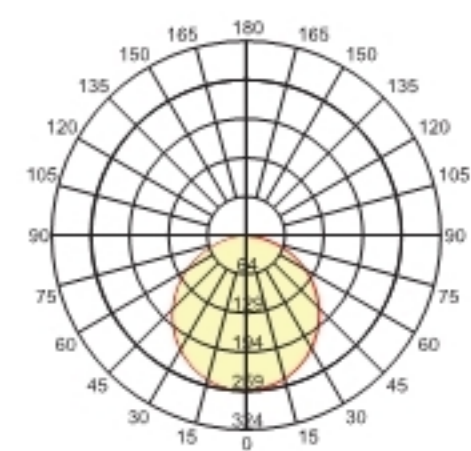
Product display



50

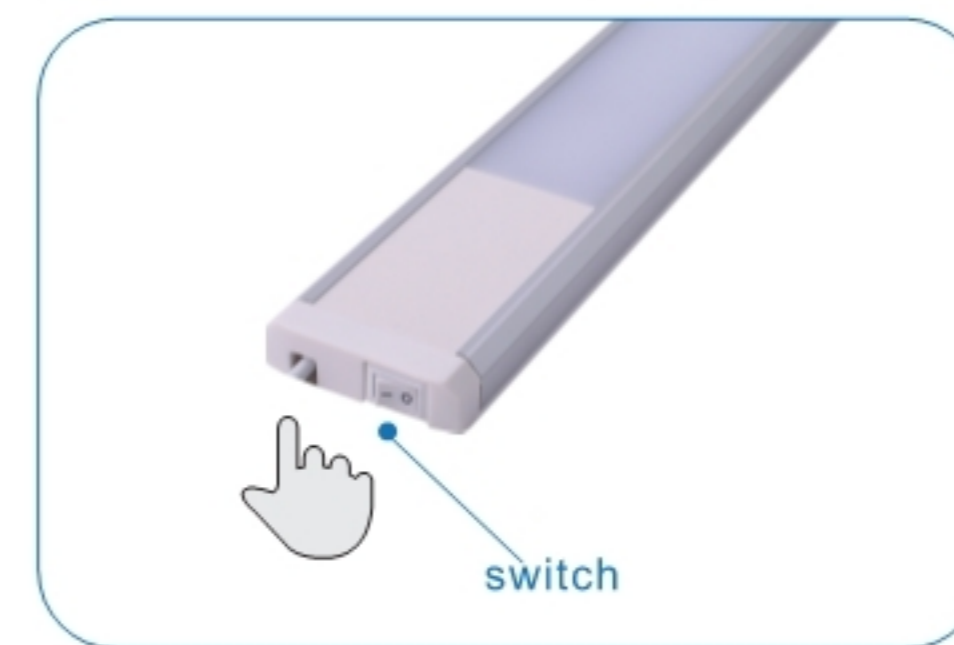
Specifications

Model	Part Number	Size(mm)	Power(W)	Voltage(V AC)	Beam Angle(°)	Lumen(lm)
LS47	L600S47	49×13× 00	11	100-240	112	715
	L900S47	49×13×900	15			975
	L1200S47	49×13×1200	20			1300
	L400S47-2S	49×13×400	6	230		420
	L600S47-2S	49×13×600	10			750
	L900S47-2S	49×13×900	10/15			750/1170



The data listed above is based on CCT of 3000K

Features

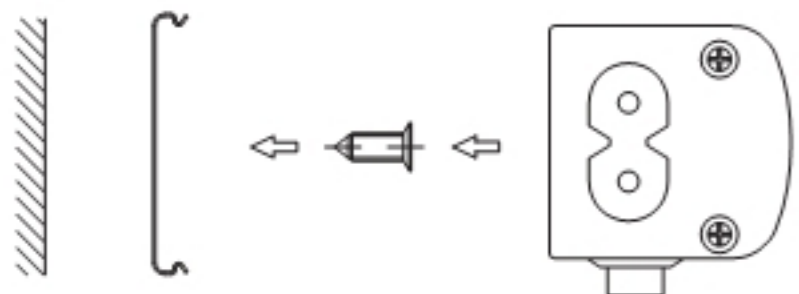


51 LS24 Series

Feature

- LED Tube light
- LED driver built-in, 100~240V AC input voltage
- AC switch allows it could be controlled easily
- Aluminium house is good for heat dissipation
- Fashion and delicacy
- Easy installation with clips
- Color of lens available: clear and milky
- Energy saving, long lifespan

Installation



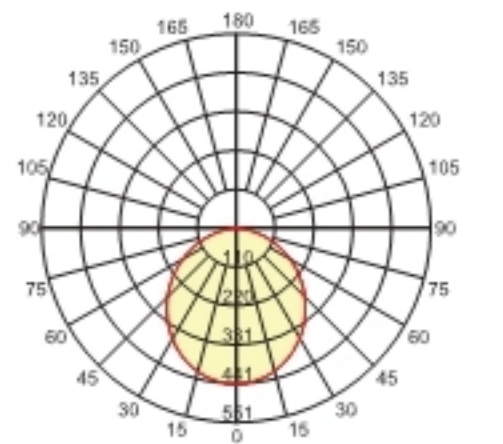
Product display



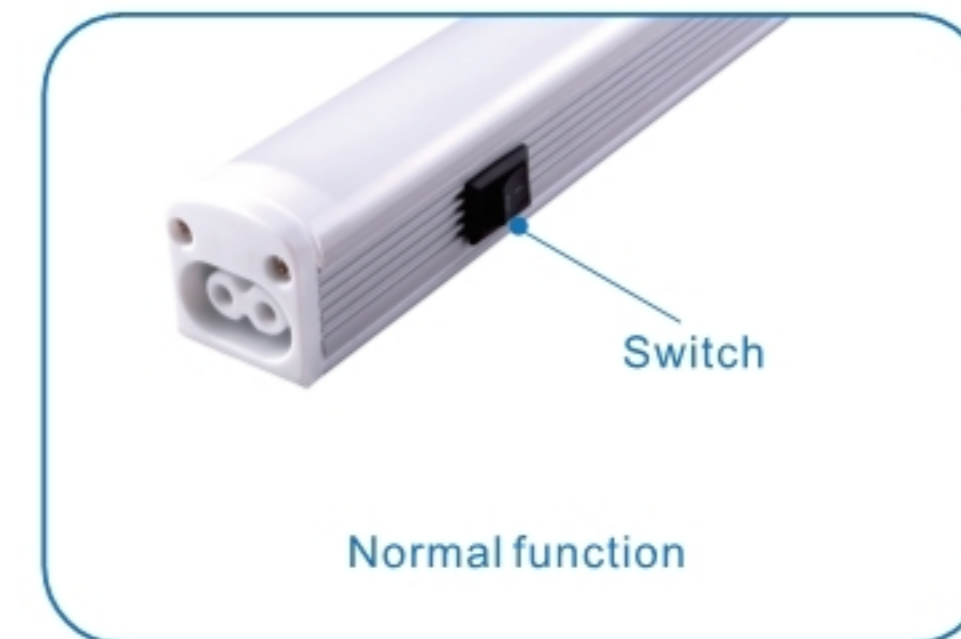
Specifications

Model	Part Number	Size(mm)	Power(W)	Voltage(V AC)	Beam Angle(°)	Lumen(lm)
LS24	L300S24	25×26×300	6	100-240	110	450
	L600S24	25×26×600	11			825
	L900S24	25×26×900	15			1125
	L1200S24	25×26×1200	20			1500

The data listed above is based on CCT of 3000K, milky diffuser.



Features





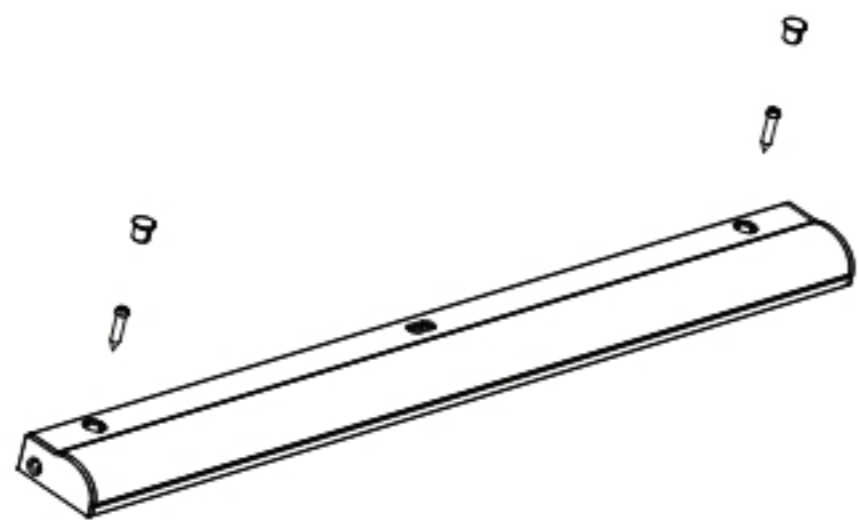
53

LS272 Series

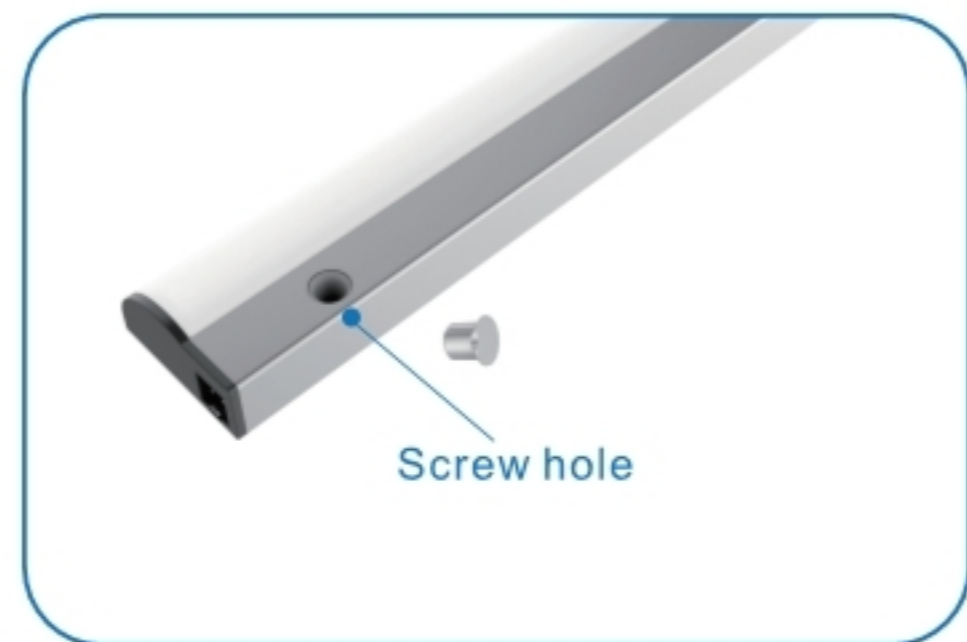
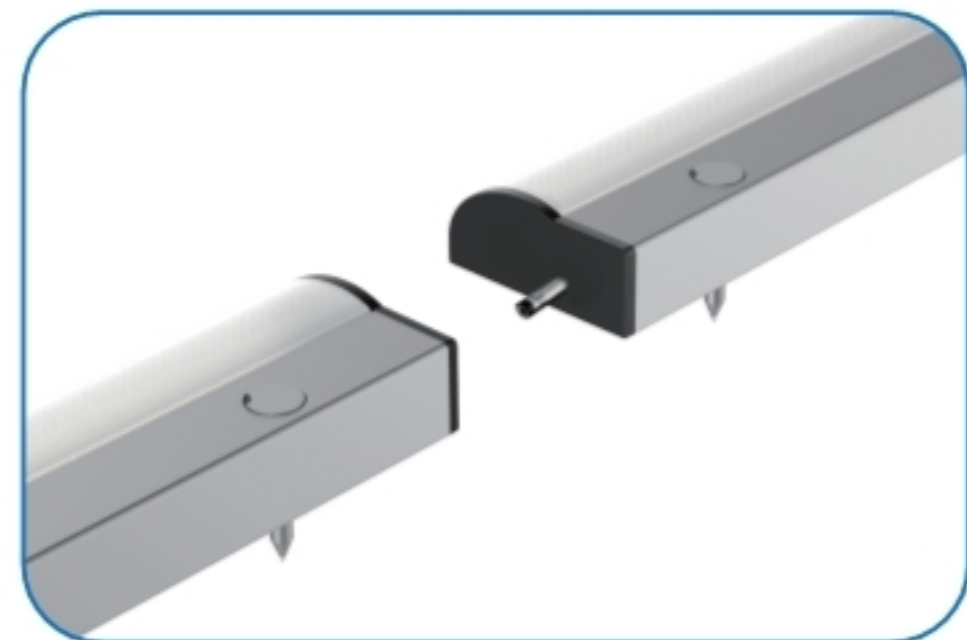
Feature

- Aluminium house is good for heat dissipation
- Fashion and delicacy
- Easy and alternative installation with screws
- Energy saving, long lifespan

Installation



Product display

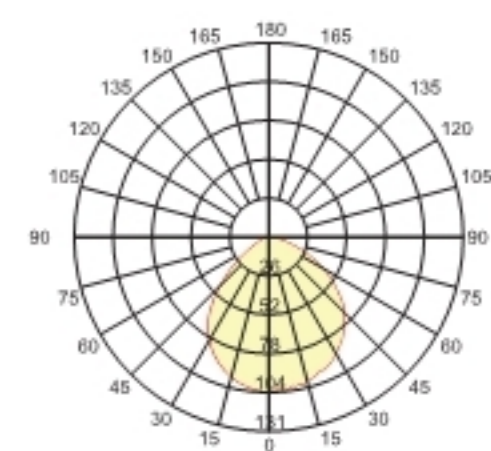


Module Design

Specifications

Model	Part Number	Size(mm)	Power(W)	Voltage(V DC)	Beam Angle(°)	Lumen(lm)
LS272	L300S272	28×12.5×300	3	12	109	225
	L500S272	28×12.5×500	5.5			412
	L1000S272	28×12.5×1000	10.5			788

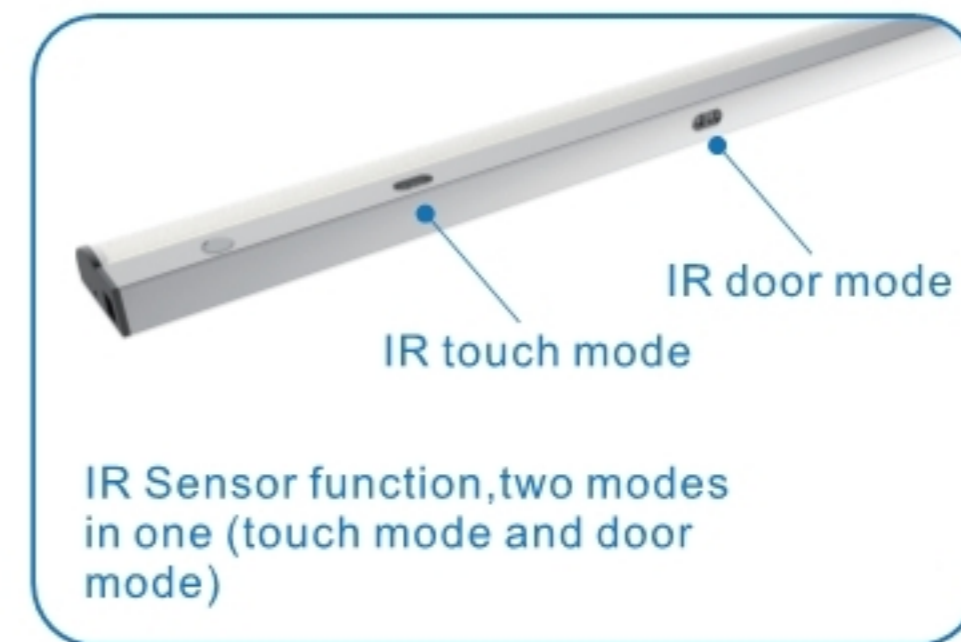
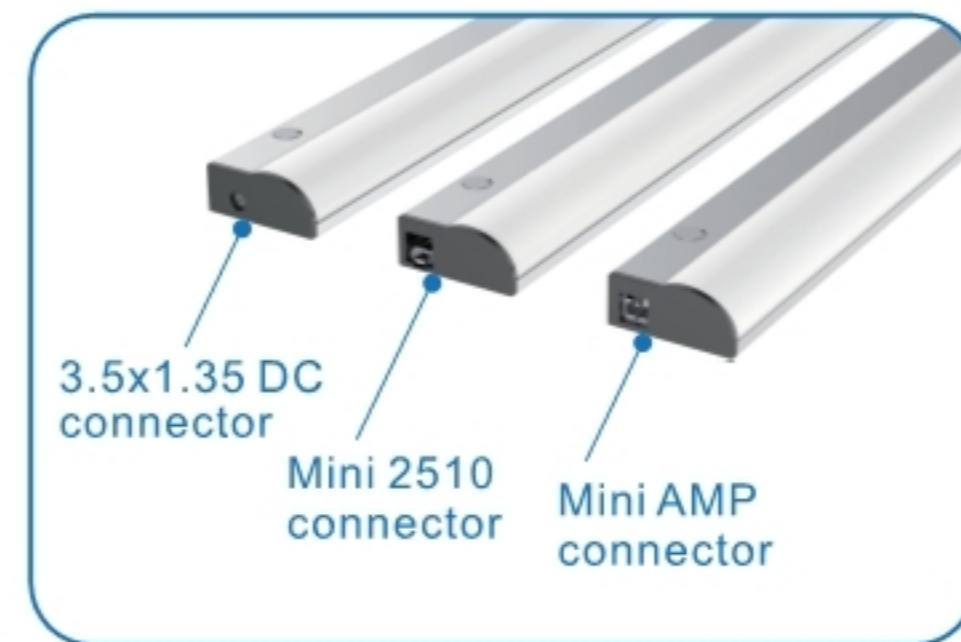
The data listed above is based on CCT of 3000K, milky diffuser.



54

NEW

Features





55 LS42 Series

Feature

- Aluminium house is good for heat dissipation
- Fashion and delicacy
- Easy and alternative installation with screws
- Energy saving, long lifespan



IR Sensor



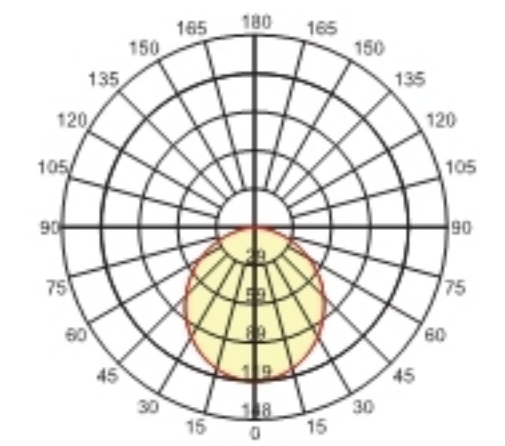
NEW

56

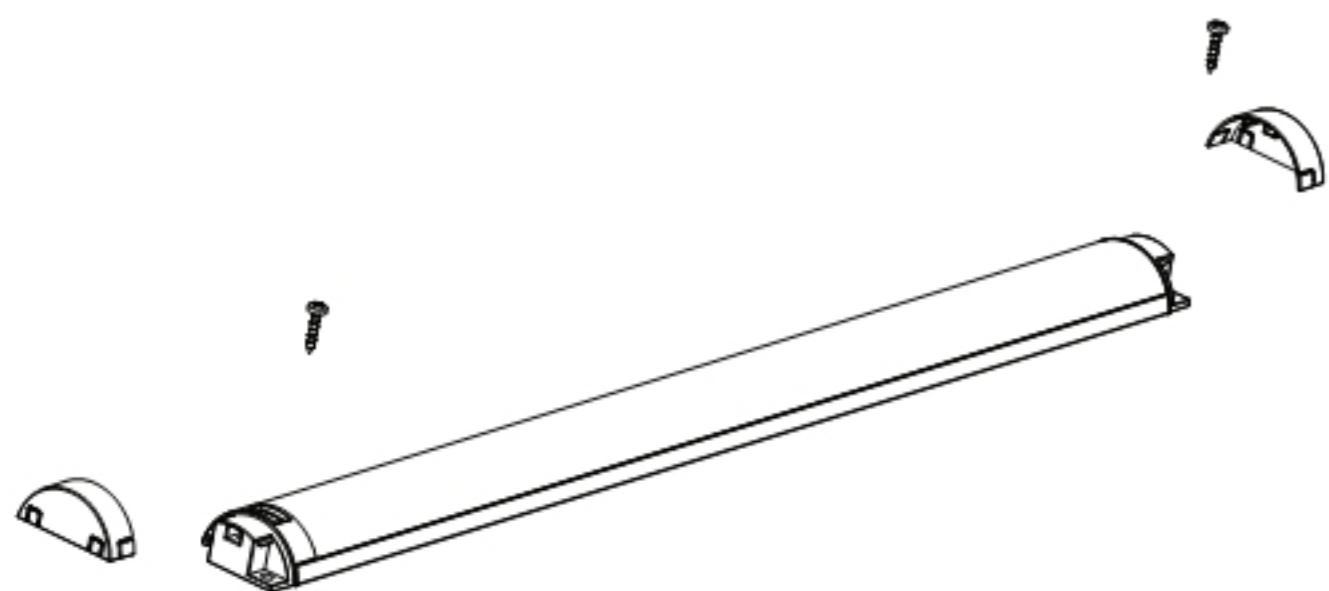
Specifications

Model	Part Number	Size(mm)	Power(W)	Voltage(V DC)	Beam Angle(°)	Lumen(lm)
LS42	L300S42	42×18.5×300	4	12	116	300
	L500S42	42×18.5×500	6			450
	L800S42	42×18.5×800	10			750
	L1000S42	42×18.5×1000	12			900

The data listed above is based on CCT of 3000K.



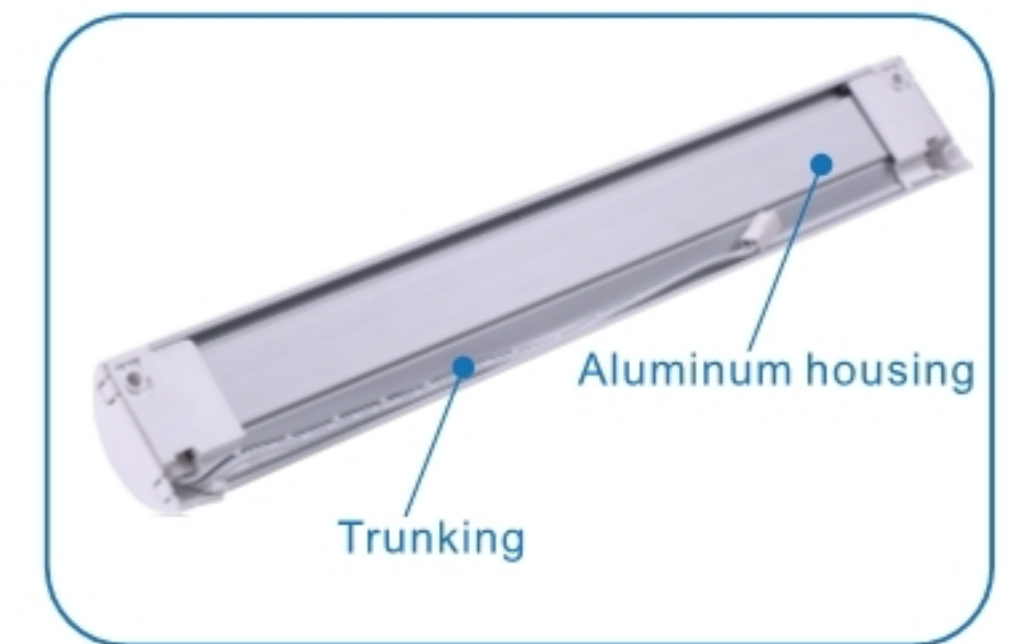
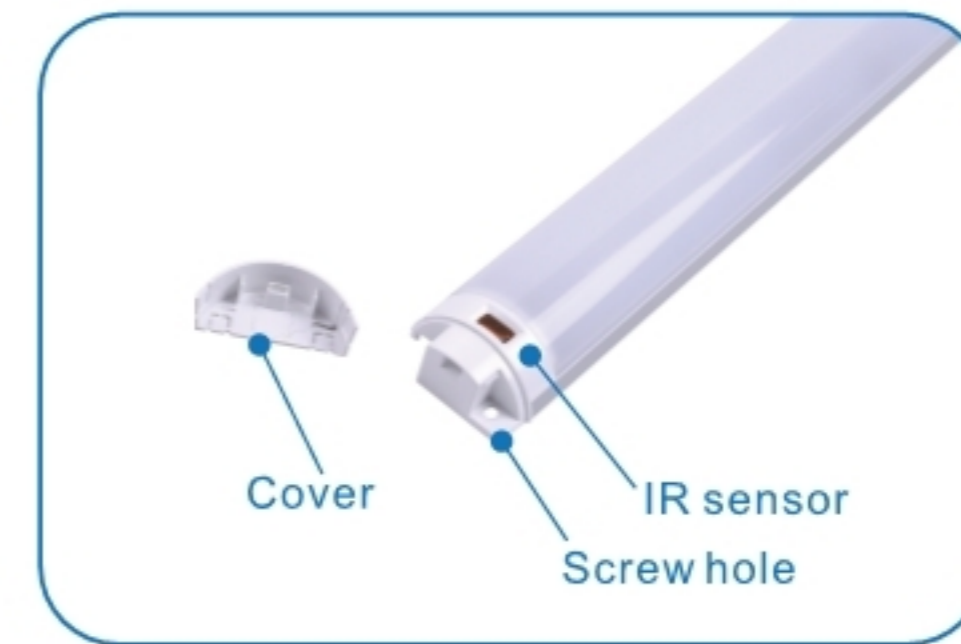
Installation



Product display



Features





57 LS12-1 Series

Feature

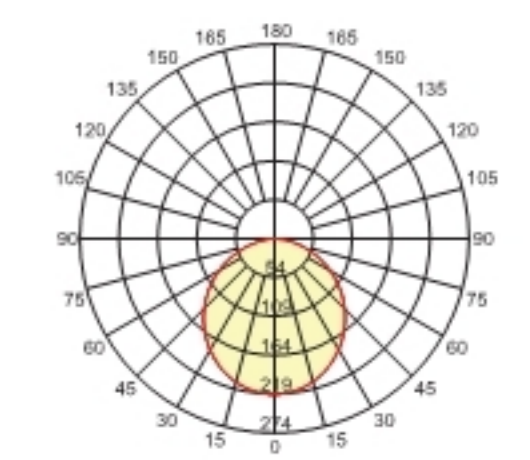
- Slim and delicate.
- Aluminum housing.
- Input voltage: 12V DC.



58

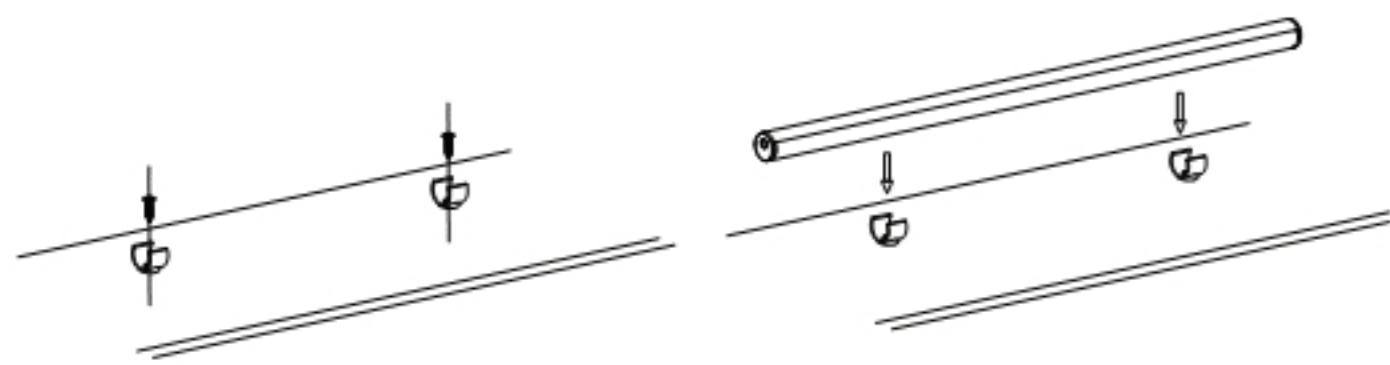
Specifications

Model	Part Number	Size(mm)	Power(W)	Voltage(V DC)	Beam Angle(°)	Lumen(lm)
LS12-1	L300S12-1	Φ12.8×300	3.5	12	120	260
	L400S12-1	Φ12.8×400	4.5			335
	L600S12-1	Φ12.8×600	6			450
	L900S12-1	Φ12.8×900	9			675

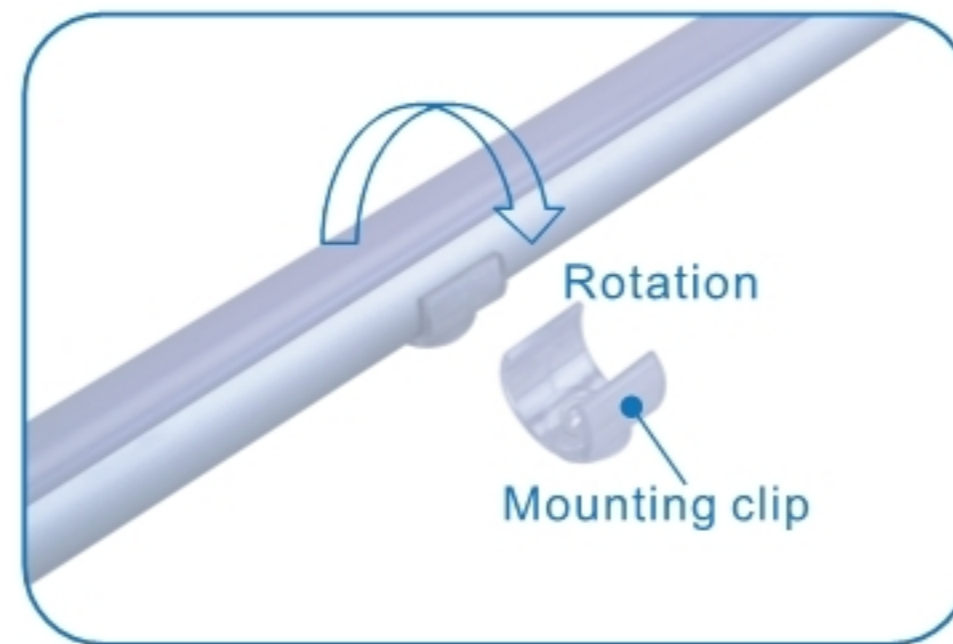


The data listed above is based on CCT of 3000K.

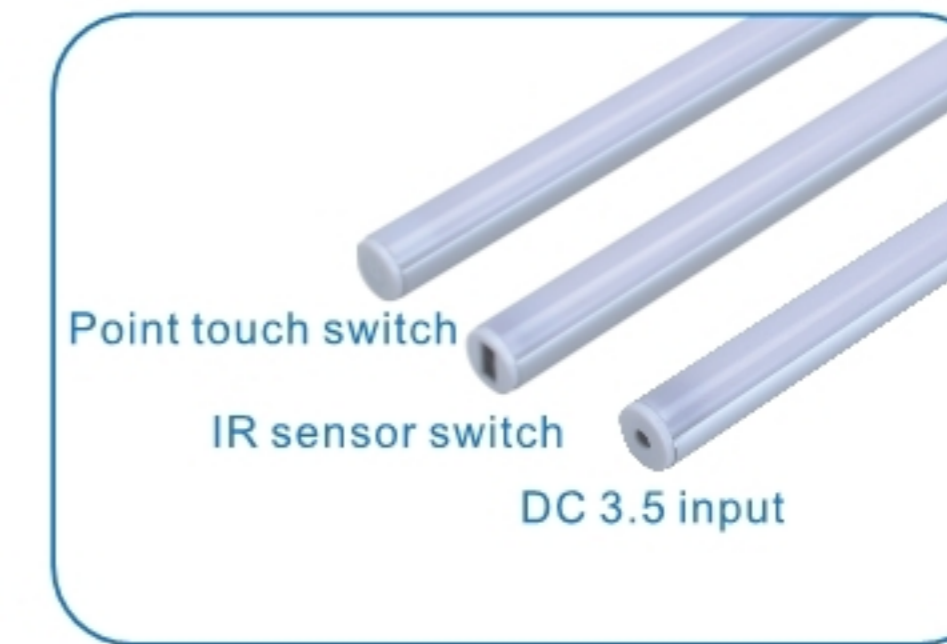
Installation



Product display



Features



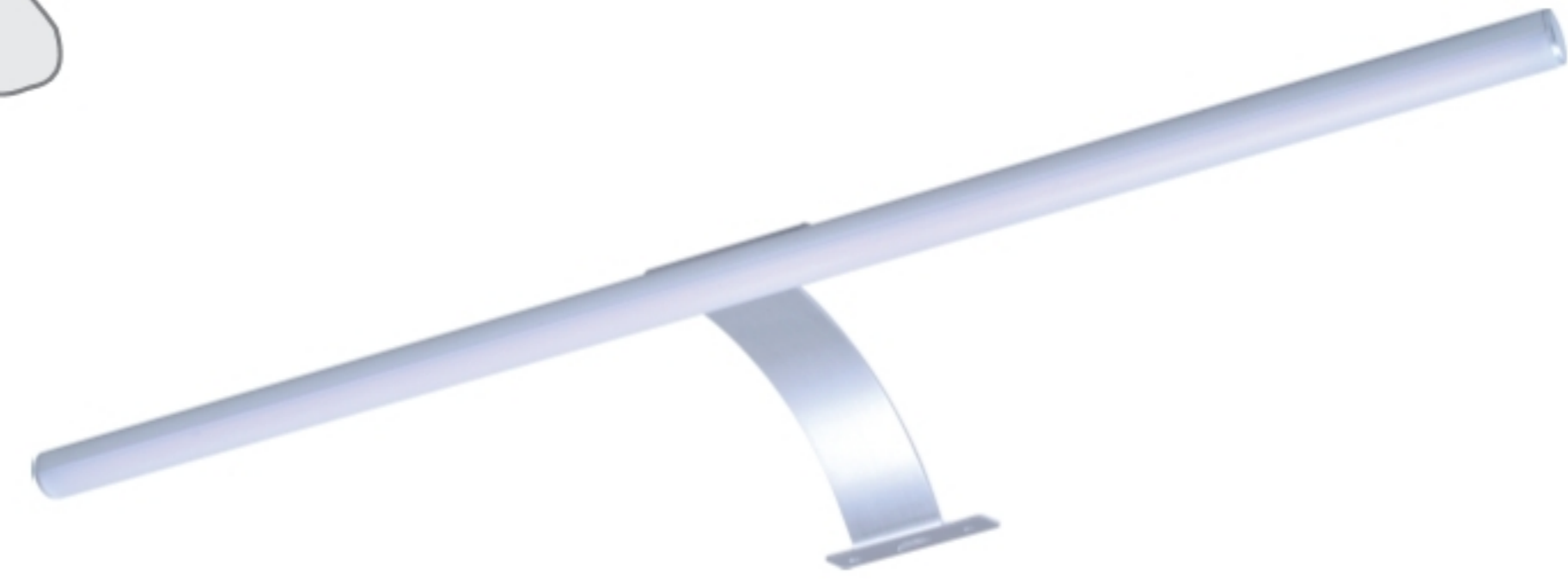
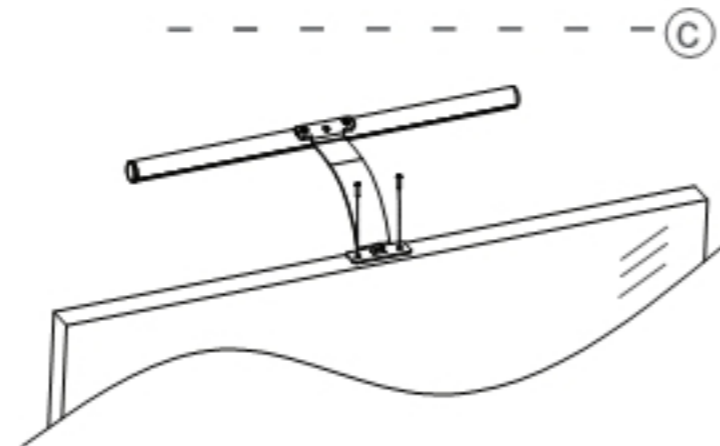
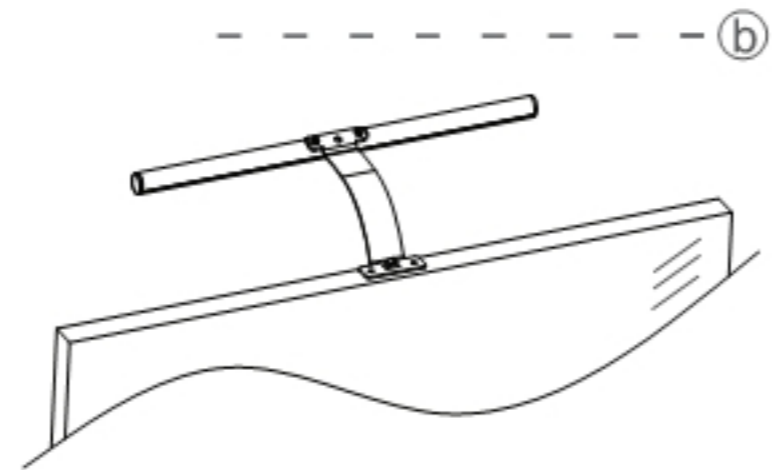
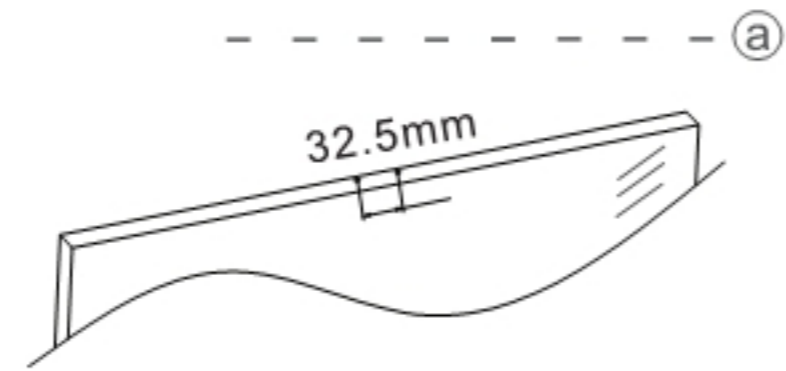
59 LS12-2 Series

Feature

- Slim and delicate.
- Aluminum housing.
- Input voltage: 12V DC.



Installation

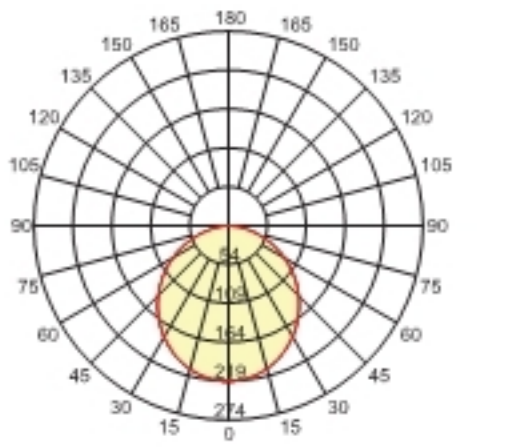


60

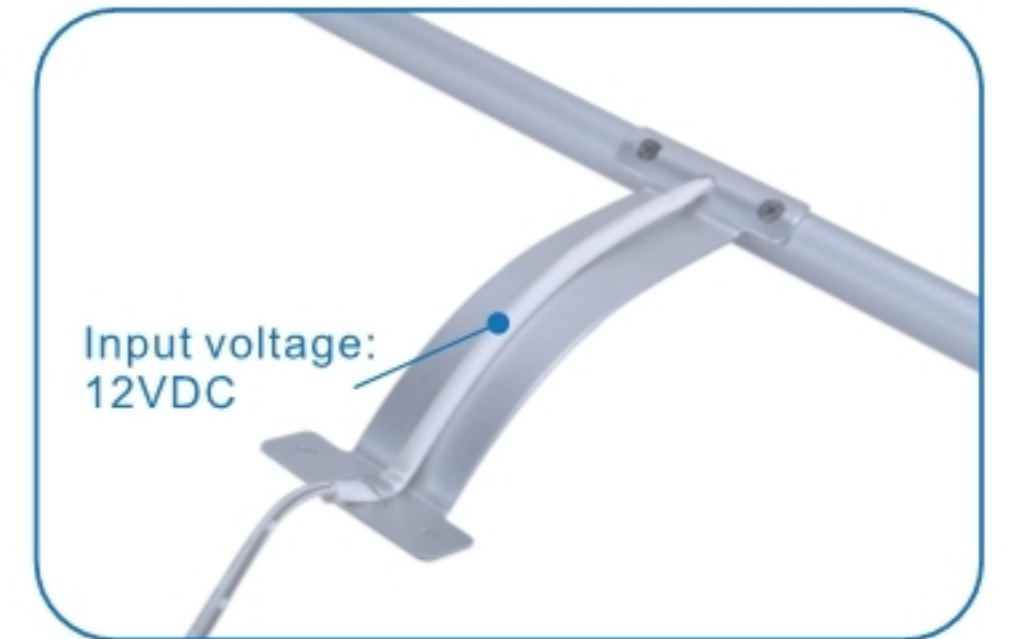
Specifications

Model	Part Number	Size(mm)	Power(W)	Voltage(V DC)	Beam Angle(°)	Lumen(lm)
LS12-2	L300S12-2	Φ12.8×300	3.5	12	120	260
	L400S12-2	Φ12.8×400	4.5			335
	L600S12-2	Φ12.8×600	6			450
	L900S12-2	Φ12.8×900	9			675

The data listed above is based on CCT of 3000K.



Features





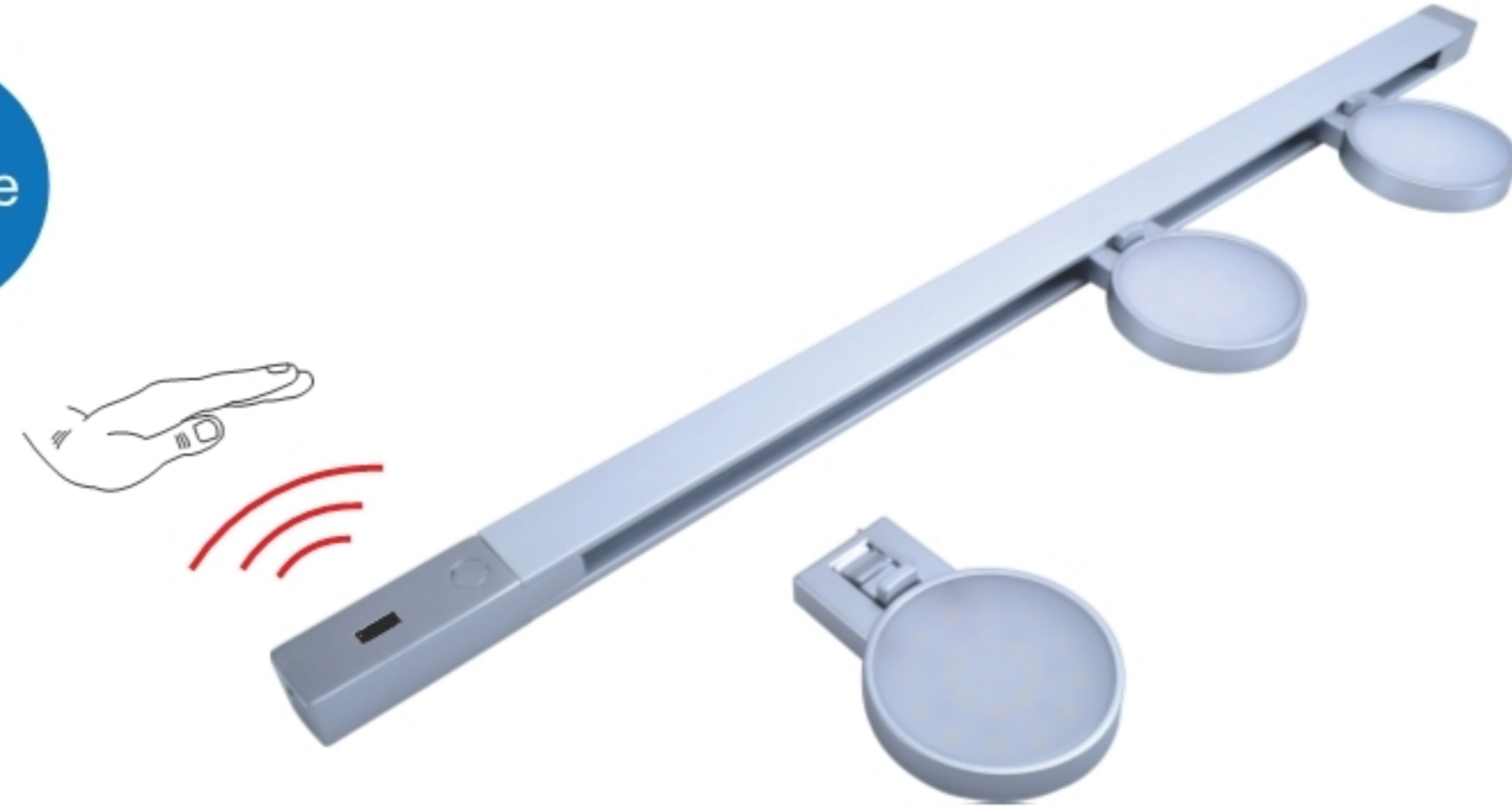
61 LS21 Series

Feature

- Track cabinet light.
- IR function and dimmable.
- The puck light could increase or decrease.
- The lighting head could be removed.



Module

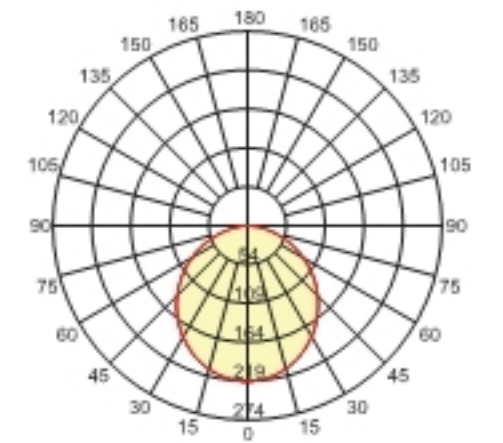


62

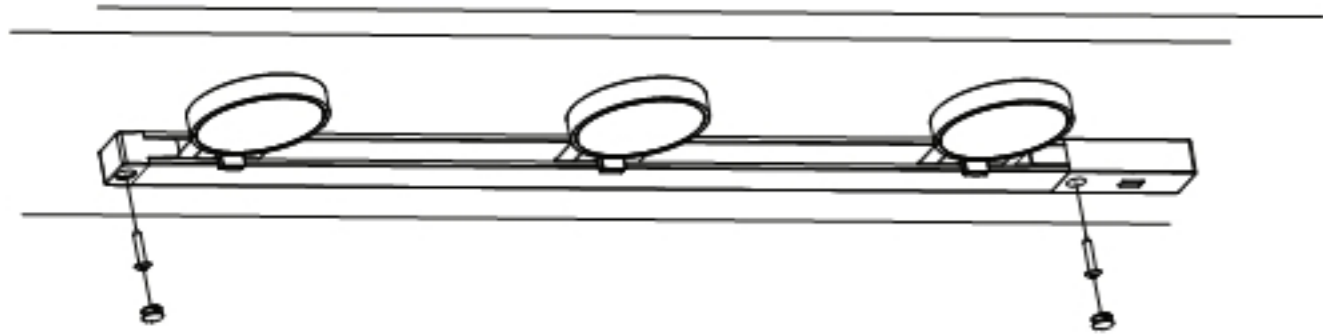
Specifications

Model	Part Number	Size(mm)	Power(W)	Voltage(V DC)	Beam Angle(°)	Lumen(lm)
LS21	L600S21	86×18×600	3×3W	12	102	504
	L900S21	86×18×900	4×3W			672
	L1200S21	86×18×1200	6×3W			1008

The data listed above is based on CCT of 3000K.



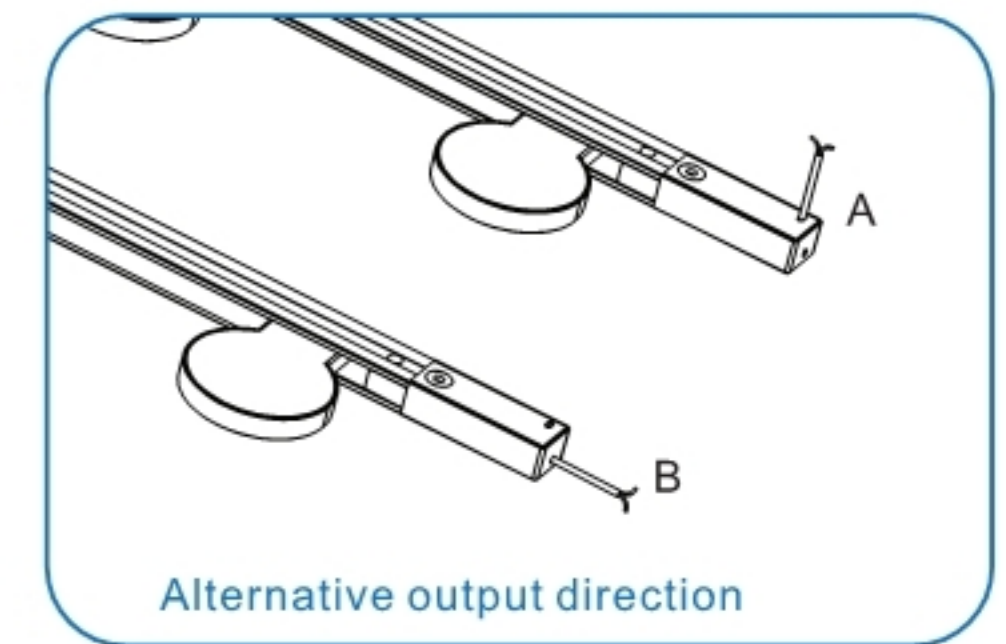
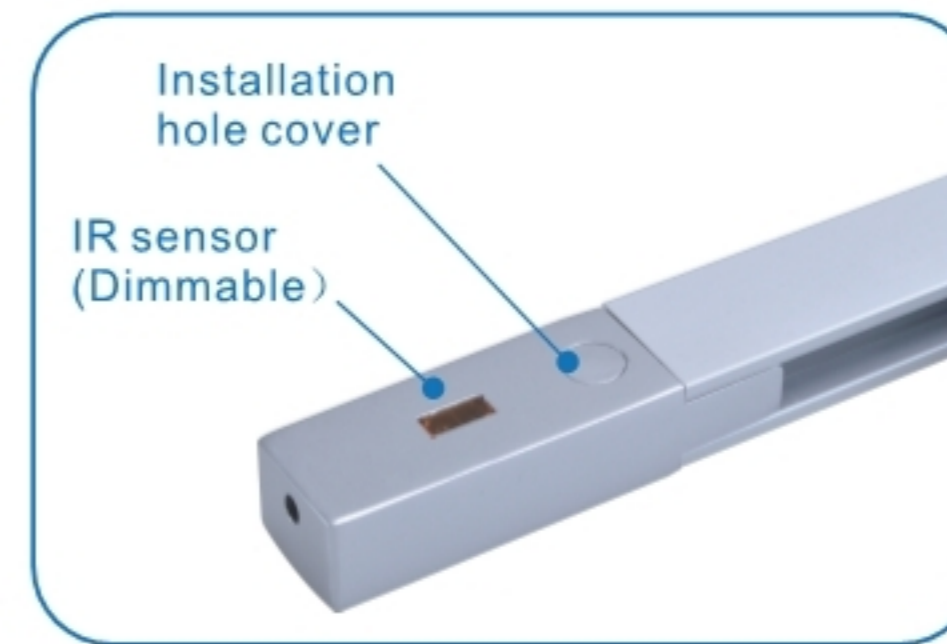
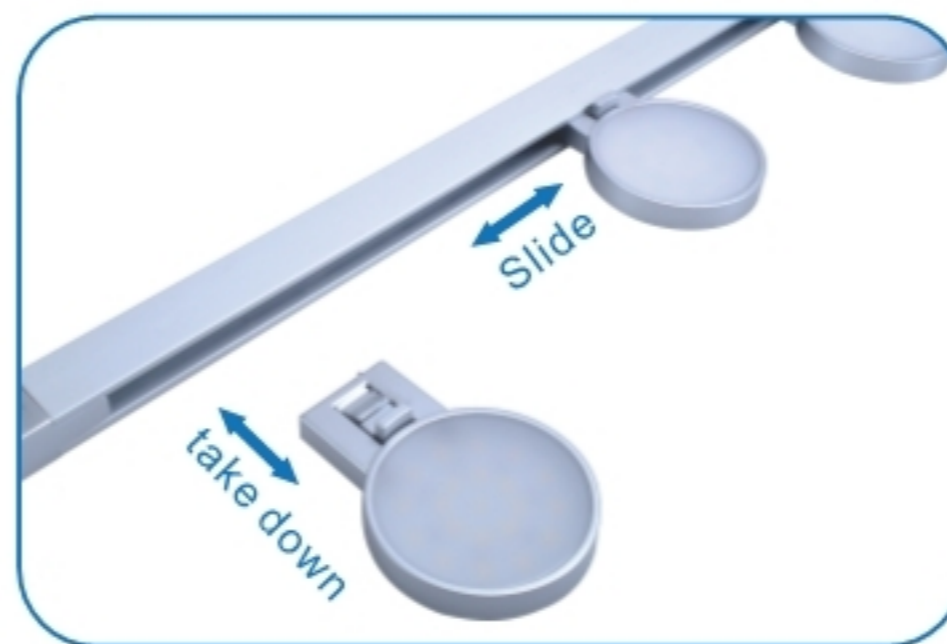
Installation



Product display



Features



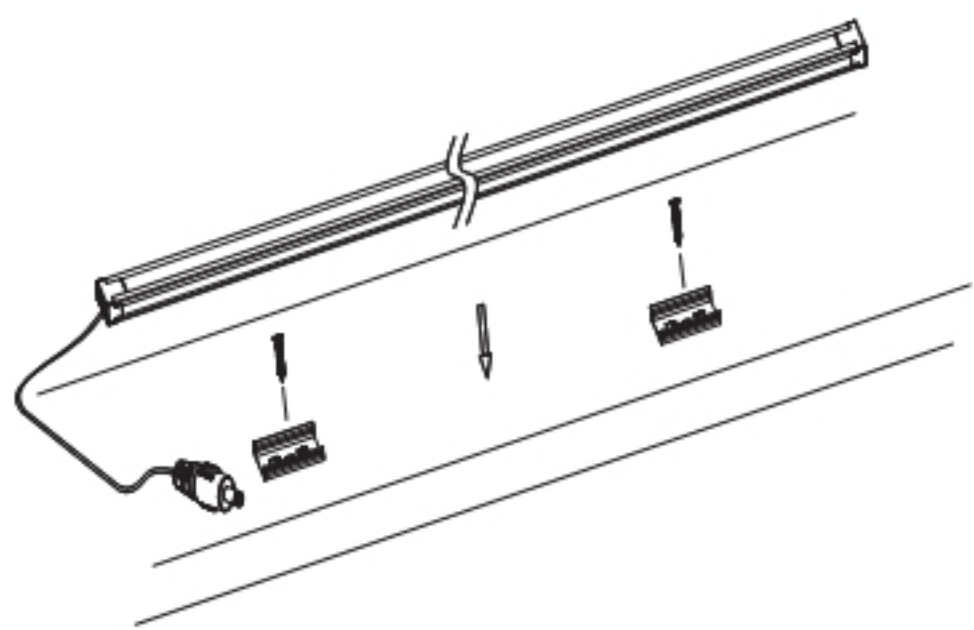


63 LS251 Series

Feature

- Aluminium house is good for heat dissipation
- Fashion and delicacy
- Easy and alternative installation with metal clips
- Energy saving, long lifespan

Installation



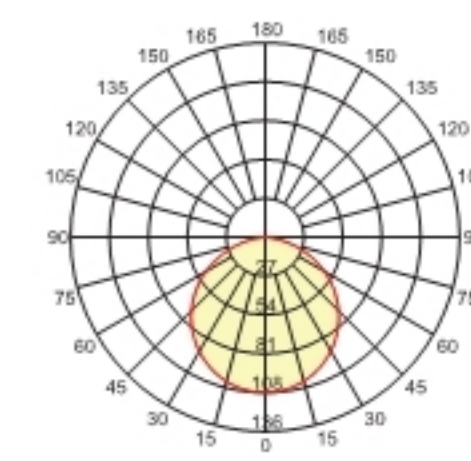
Product display



64

Specifications

Model	Part Number	Size(mm)	Power(W)	Voltage(V DC)	Beam Angle(°)	Lumen(lm)
LS251	L300S251	25×5×300	3	12	112	189
	L458S251	25×5×458	4			263
	L500S251	25×5×500	5.5			361
	L610S251	25×5×610	6.5			427
	L800S251	25×5×800	8.5			558
	L915S251	25×5×915	9.5			618
	L1000S251	25×5×1000	10.5			676



The data listed above is based on CCT of 3000K, frosted diffuser.

Features





65 LS26 Series

Feature

- Aluminium house is good for heat dissipation
- Fashion and delicacy
- Have blue light indicator
- Energy saving, long lifespan



Module Design

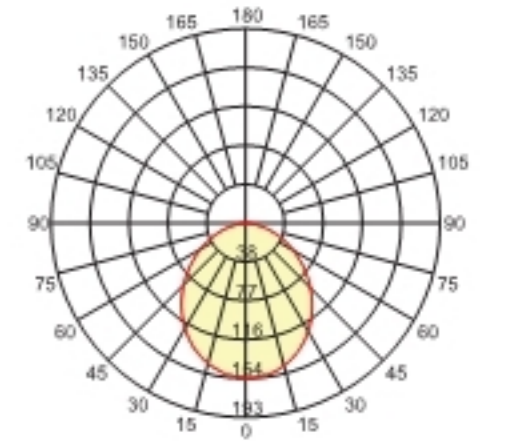


66

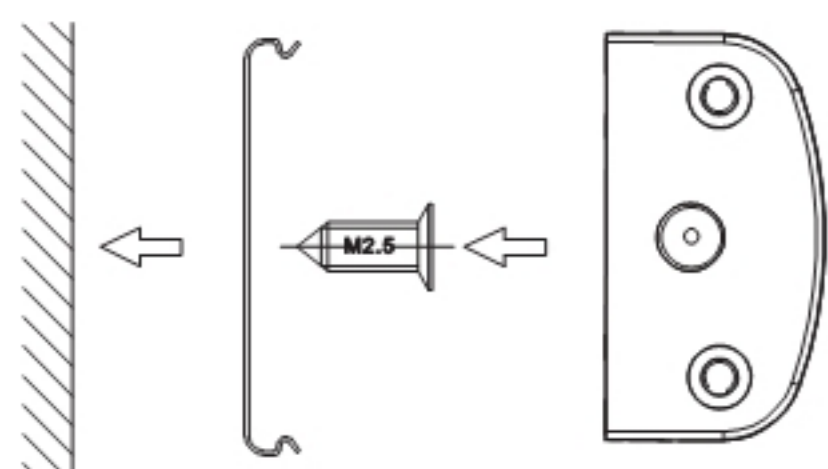
Specifications

Model	Part Number	Size(mm)	Power(W)	Voltage(V DC)	Beam Angle(°)	Lumen(lm)
LS26	L300S26	25×13.5×300	3	12	103	209
	L458S26	25×13.5×458	4			290
	L500S26	25×13.5×500	5.5			399
	L610S26	25×13.5×610	6.5			471
	L915S26	25×13.5×915	9.5			682

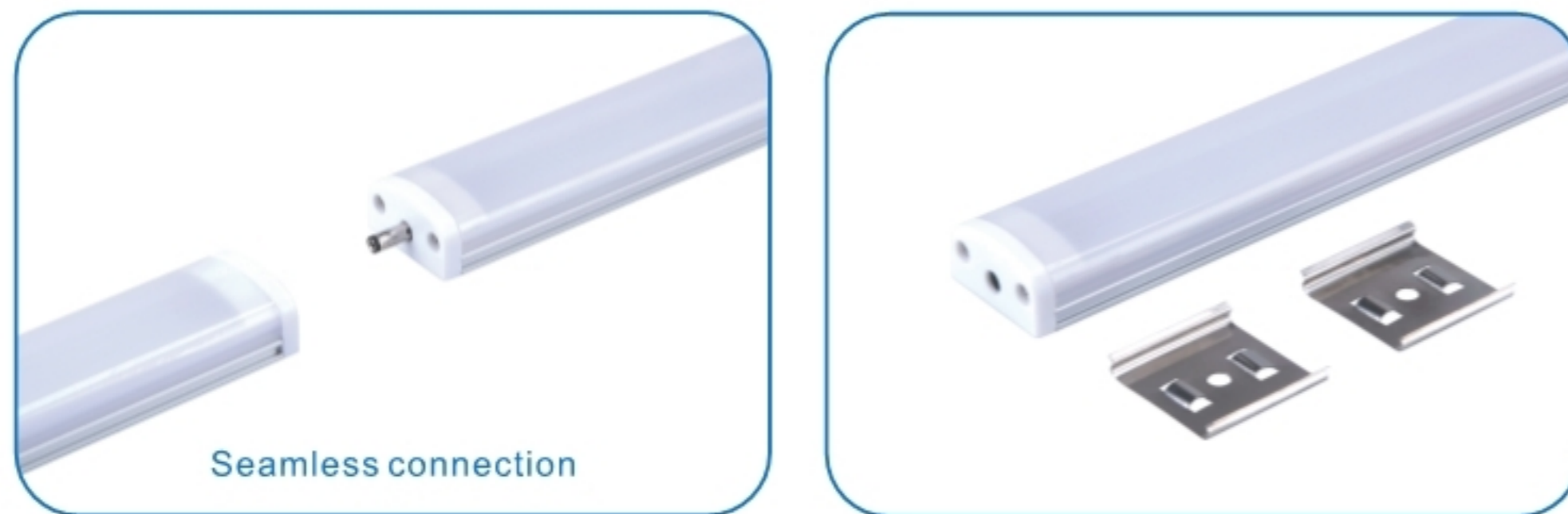
The data listed above is based on CCT of 3000K



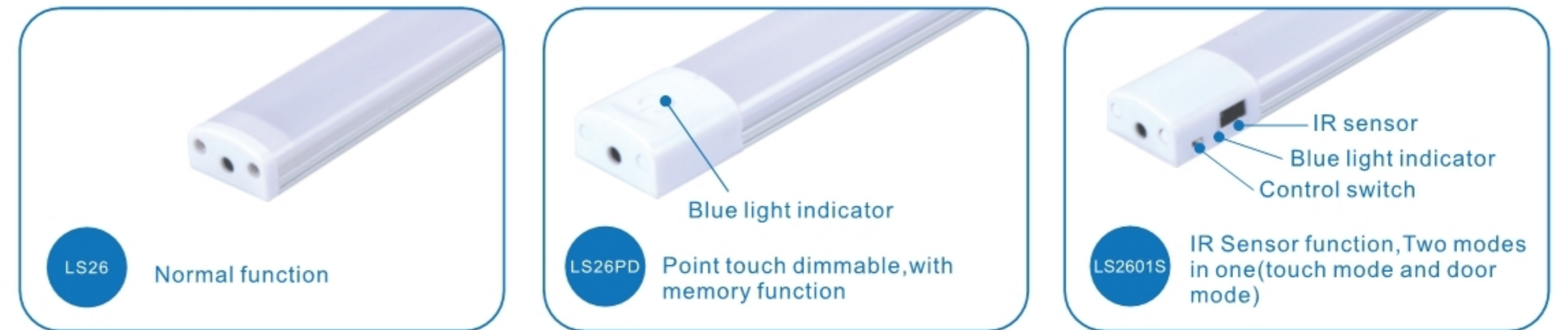
Installation



Product display



Features

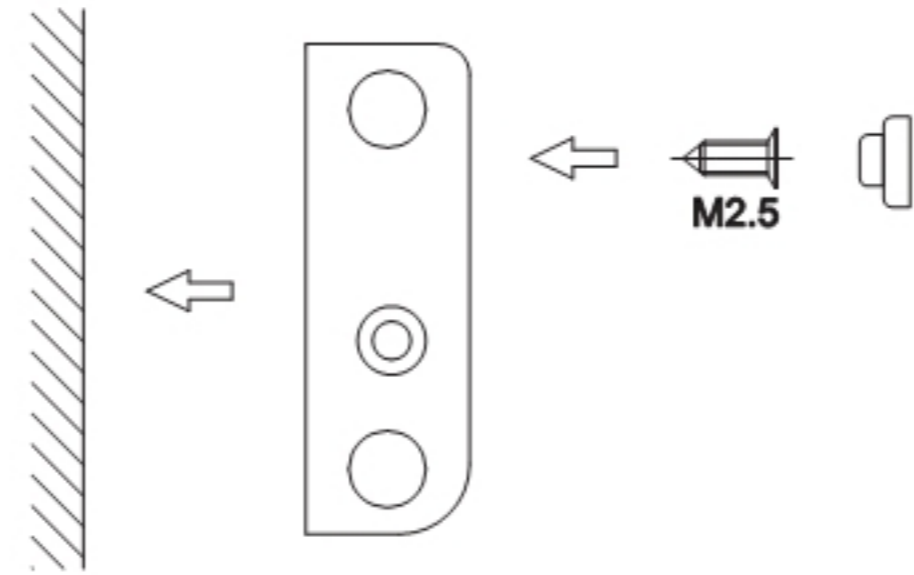


67 LS27 Series

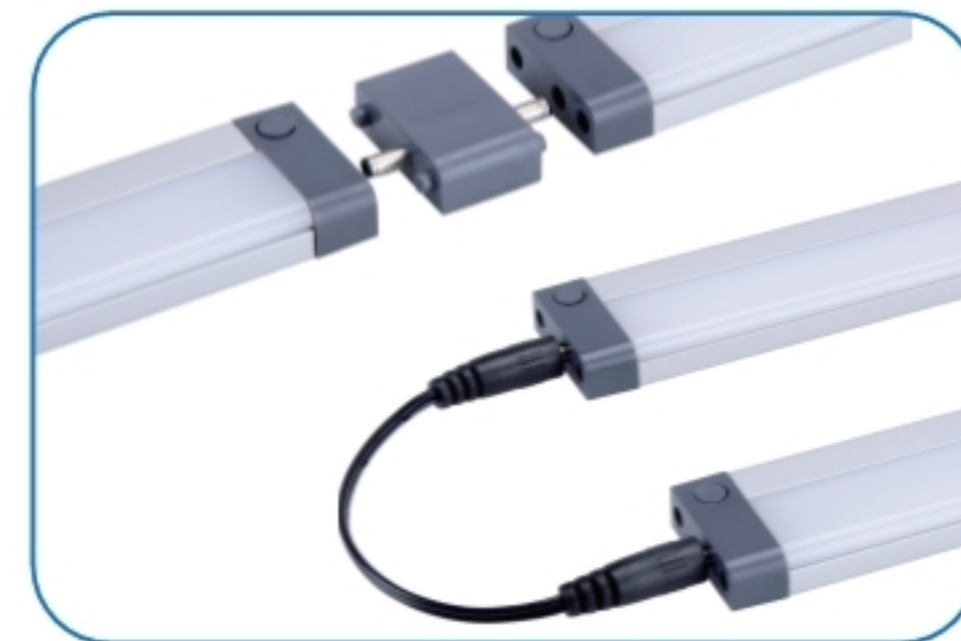
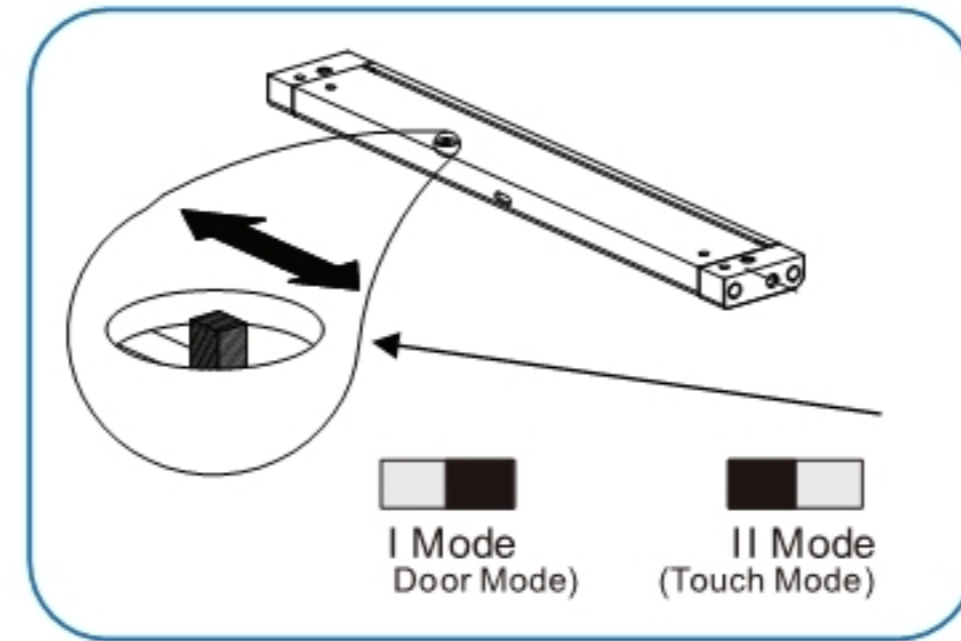
Feature

- Aluminium house is good for heat dissipation
- Fashion and delicacy
- Easy and alternative installation with screws
- Energy saving, long lifespan

Installation



Product display



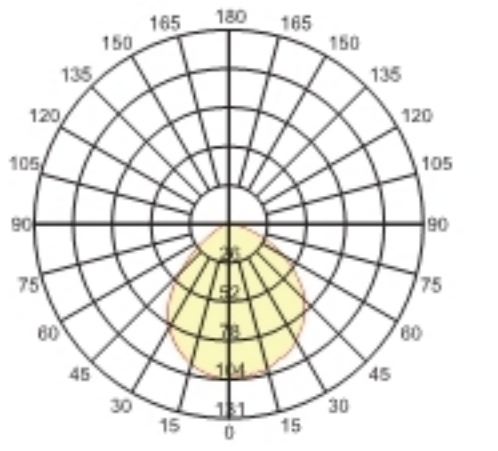
Module Design



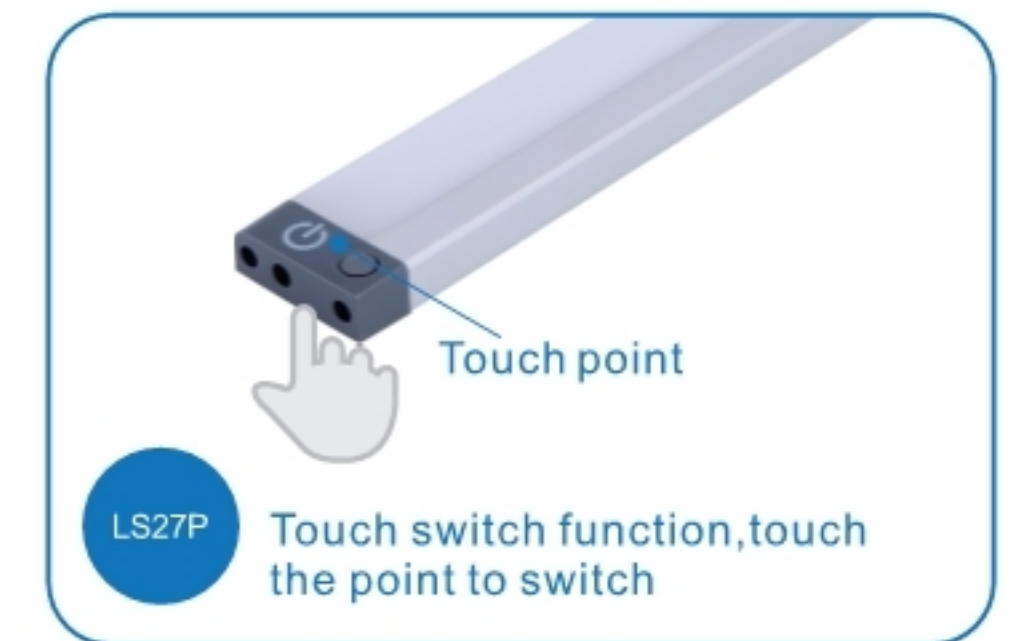
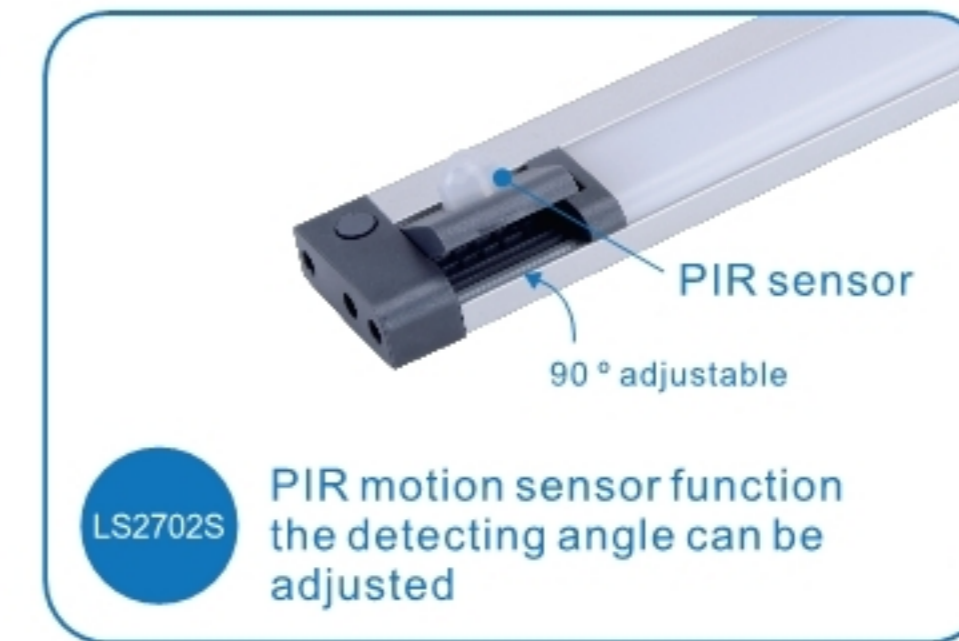
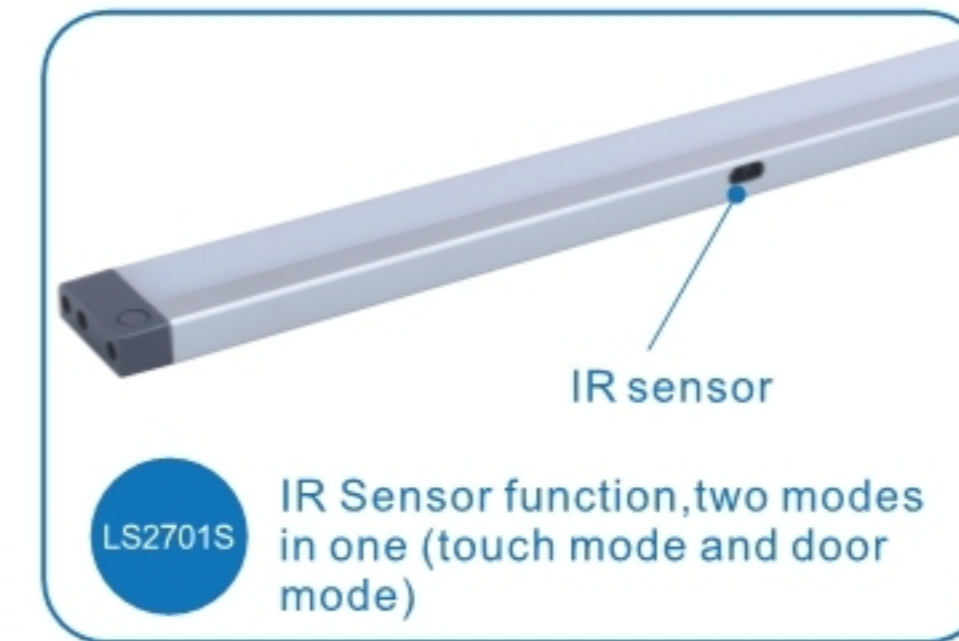
Specifications

Model	Part Number	Size(mm)	Power(W)	Voltage(V DC)	Beam Angle(°)	Lumen(lm)
LS27	L300S27	28.6×9.6×300	3	12	104	233
	L458S27	28.6×9.6×458	4			324
	L500S27	28.6×9.6×500	5.5			446
	L610S27	28.6×9.6×610	6.5			527
	L915S27	28.6×9.6×915	9.5			762
	L1000S27	28.6×9.6×1000	10.5			834

The data listed above is based on CCT of 3000K, milky diffuser.



Features



68

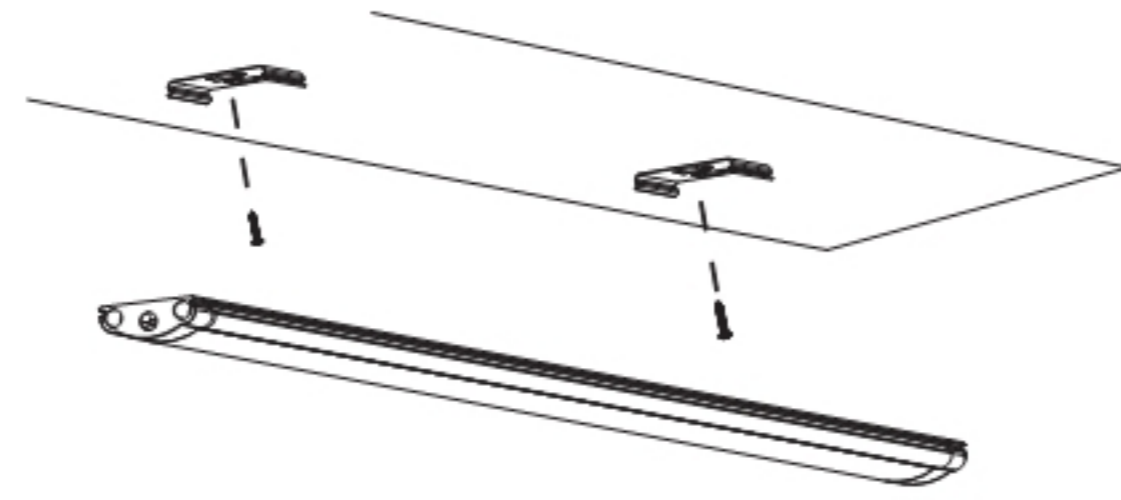


69 LS25 Series

Feature

- Aluminium house is good for heat dissipation
- Fashion and delicacy
- Easy and alternative installation with metal clips
- Energy saving, long lifespan
- Wide voltage

Installation



Product display



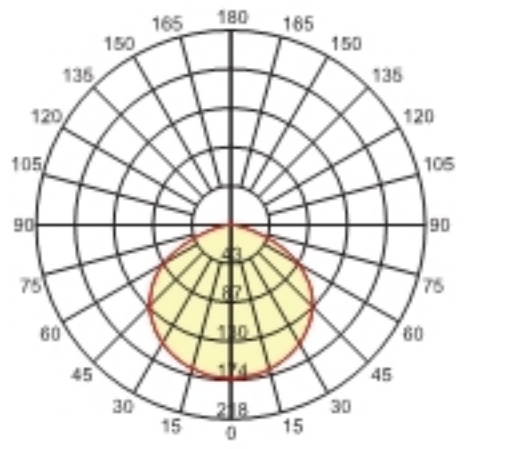
Multiple Connection



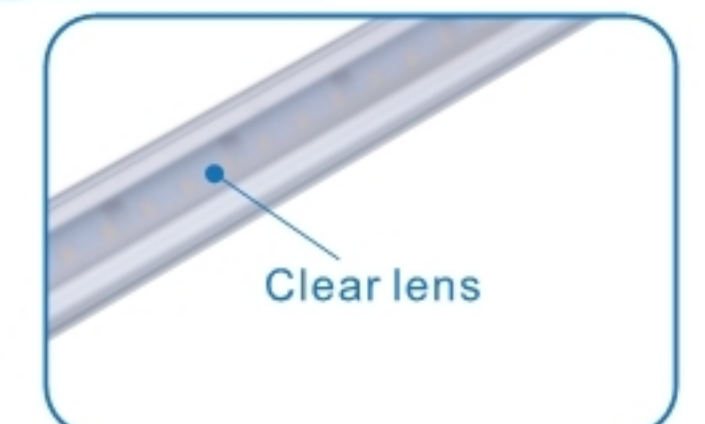
Specifications

Model	Part Number	Size(mm)	Power(W)	Voltage(V DC)	Beam Angle(°)	Lumen(lm)
LS25	L300S25	25×9×300	3	12	102	224
	L458S25	25×9×458	4			311
	L500S25	25×9×500	5.5			427
	L610S25	25×9×610	6.5			505
	L800S25	25×9×800	8.5			660
	L915S25	25×9×915	9.5			730
	L1000S25	25×9×1000	10.5			799

The data listed above is based on CCT of 3000K, milky diffuser.



Features



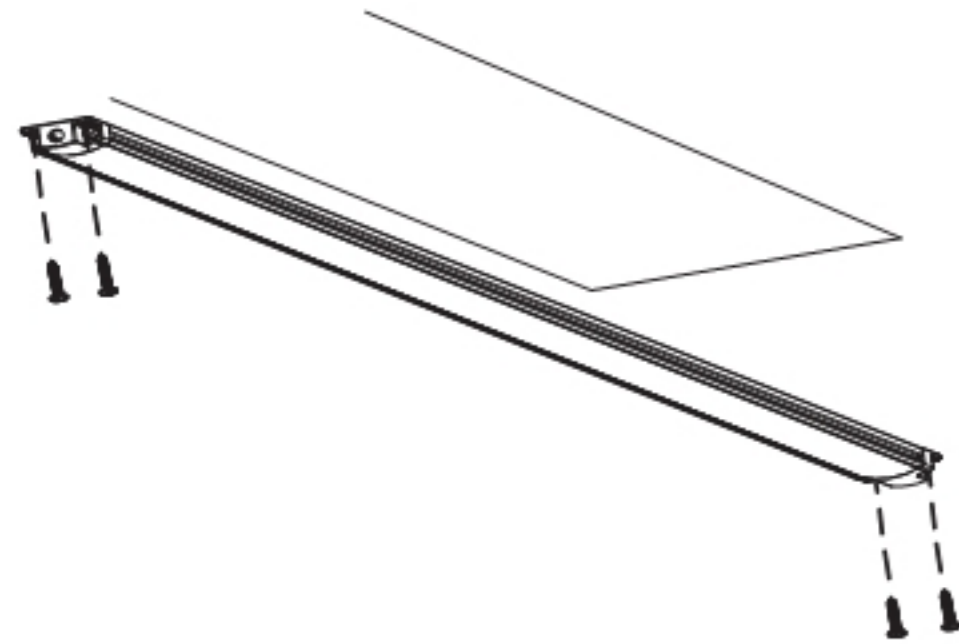


71 LS20 Series

Feature

- Aluminium house is good for heat dissipation
- Ultrathin smooth surface, fashionable, delicate
- Easy and alternative installation
- Energy saving, long lifespan

Installation



Product display



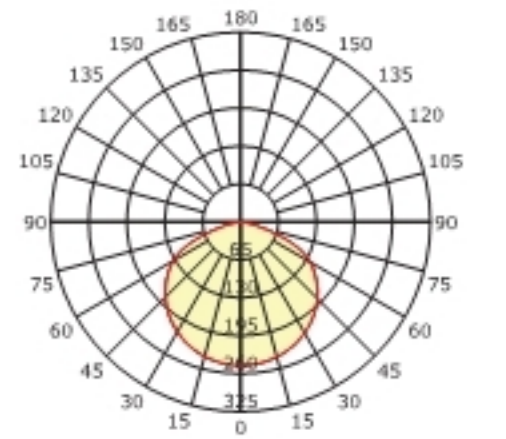
Multiple Connection



72

Specifications

Part Number	Model	Size(mm)	Power(W)	Voltage(V DC)	Beam Angle(°)	Lumen(lm)
LS20	L300S20	20×9×300	3	12	102	224
	L500S20	20×9×500	5.5			427
	L800S20	20×9×800	8.5			660
	L1000S20	20×9×1000	10.5			799



The data listed above is based on CCT of 3000K, frosted diffuser

Features



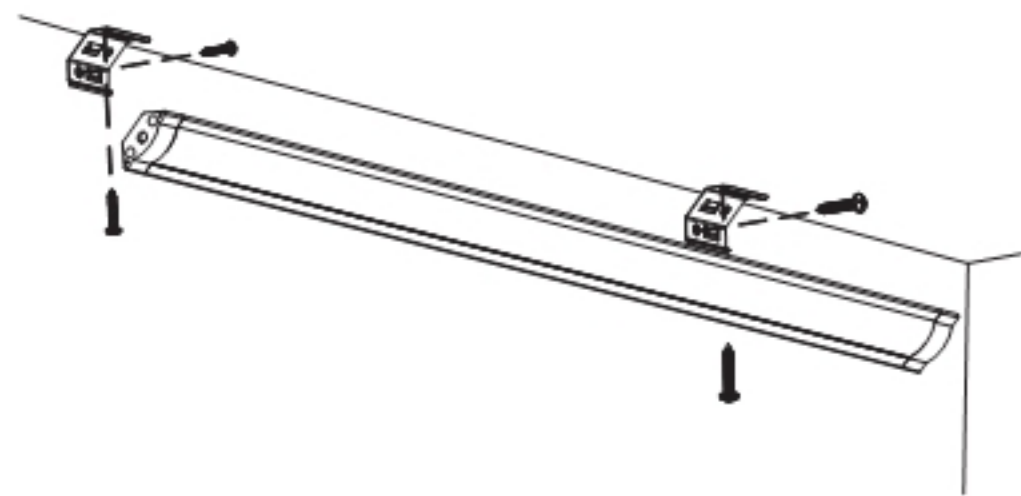


73 LT27 Series

Feature

- Aluminium house is good for heat dissipation
- Trapezoid shape
- Smooth surface, fashionable, delicate
- Easy and Alternative installation with metal clips
- Energy saving, long lifespan

Installation



Product display



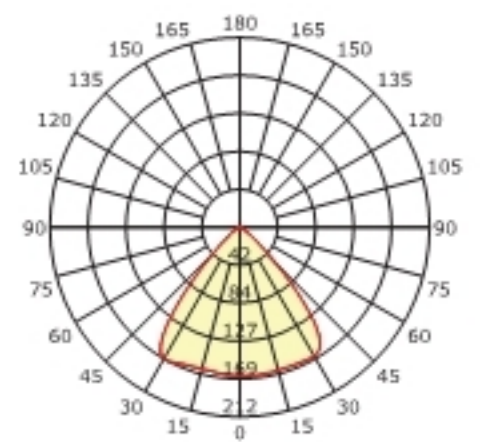
Corner installation



74

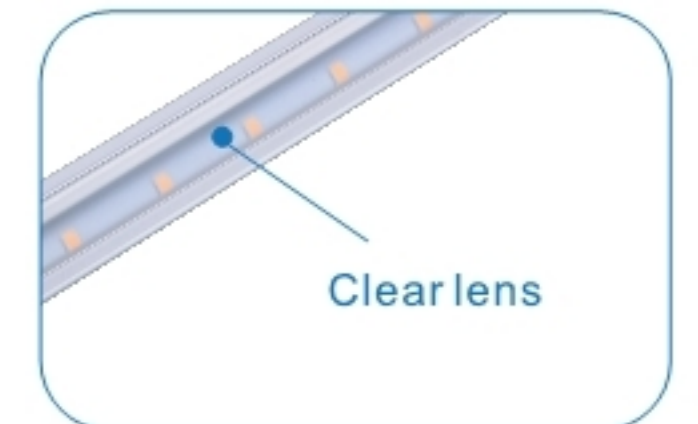
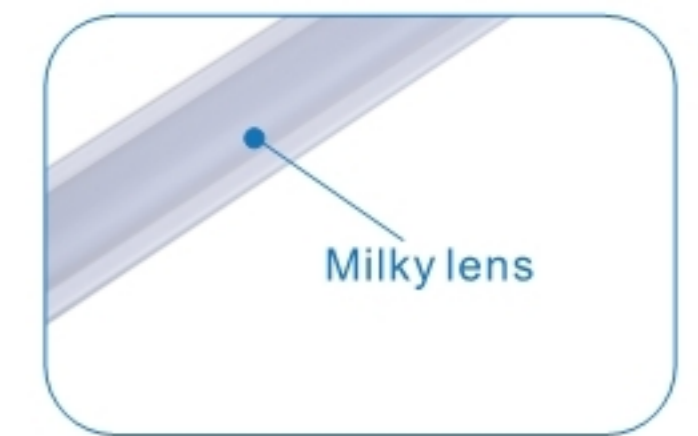
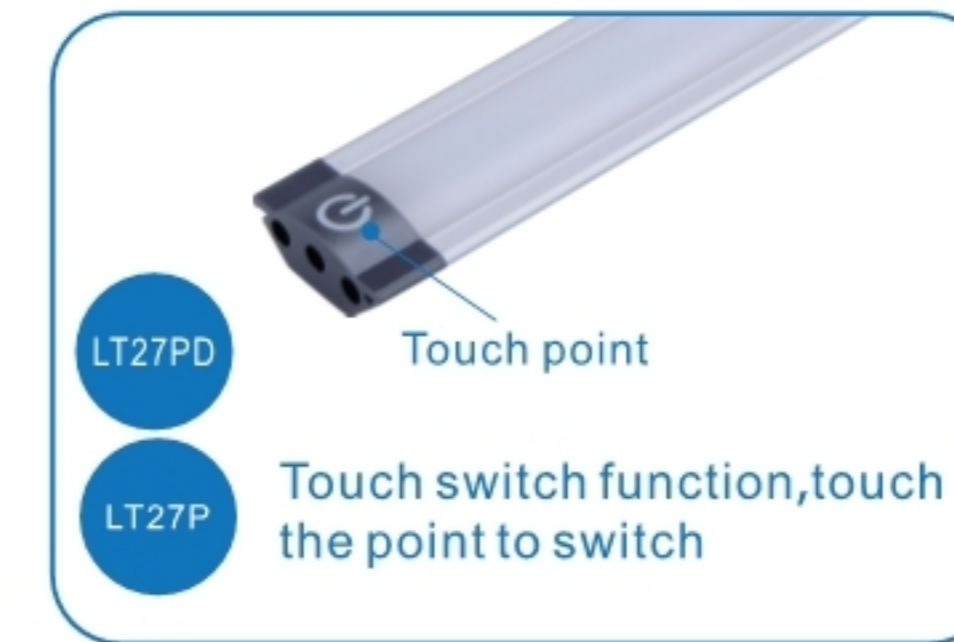
Specifications

Model	Part Number	Size(mm)	Power(W)	Voltage(V DC)	Beam Angle(°)	Lumen(lm)
LT27	L300T27	27×10.5×300	3	12	102	224
	L500T27	27×10.5×500	5.5			427
	L800T27	27×10.5×800	8.5			660
	L1000T27	27×10.5×1000	10.5			799



The data listed above is based on CCT of 3000K, frosted diffuser

Features



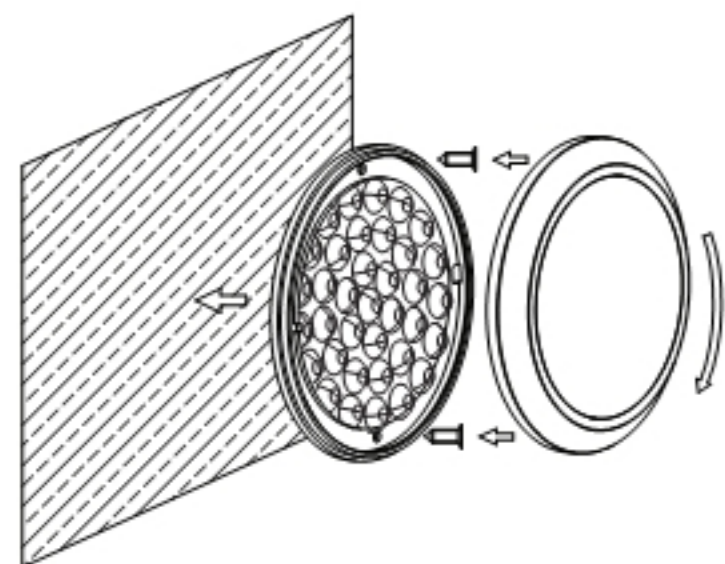
75 D70H9 Series



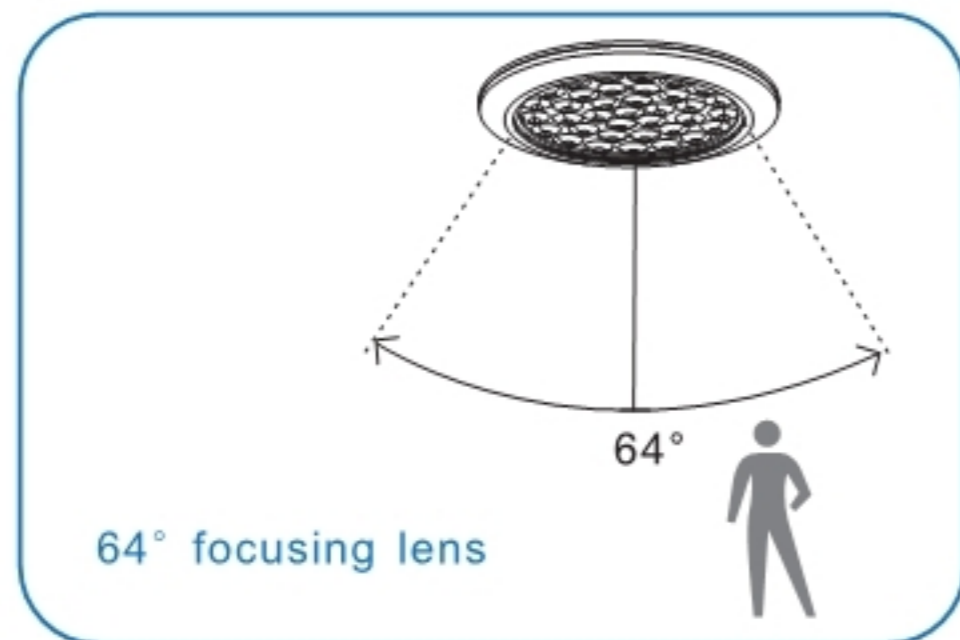
Feature

- Special design facilitate heat dissipation
- Easy installation-surface mounted by screw or 3M sticker
- Energy saving, Long Lifespan

Installation



Product display



Ultimate Appearance

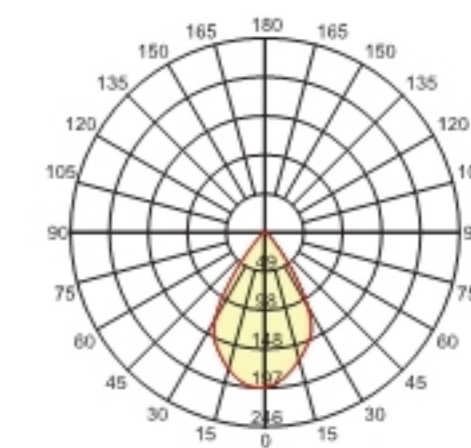


76

Specifications

Model	Part Number	Size(mm)	Power(W)	Voltage(V DC)	Beam Angle(°)	Lumen(lm)
D70H9	D70H901	D70×H9.5	3	12	64	207

The data listed above is based on CCT of 3000K



Features

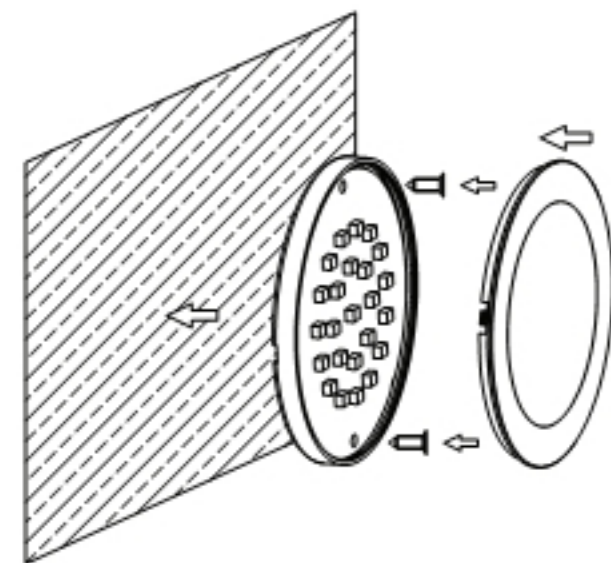


77 D68H7 Series

Feature

- Special design good for heat dissipation
- Easy installation-screwed up or fixed by 3M
- Energy saving,Long Lifespan

Installation



Product display

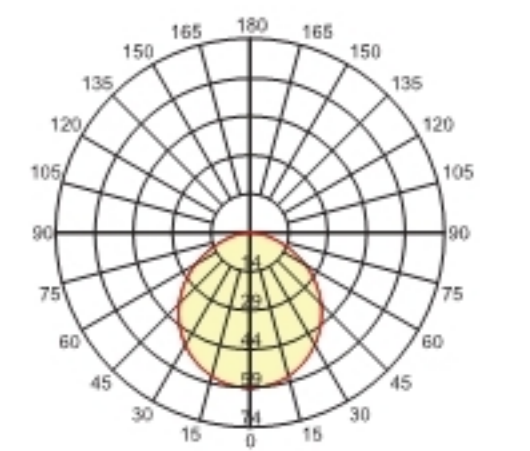


78

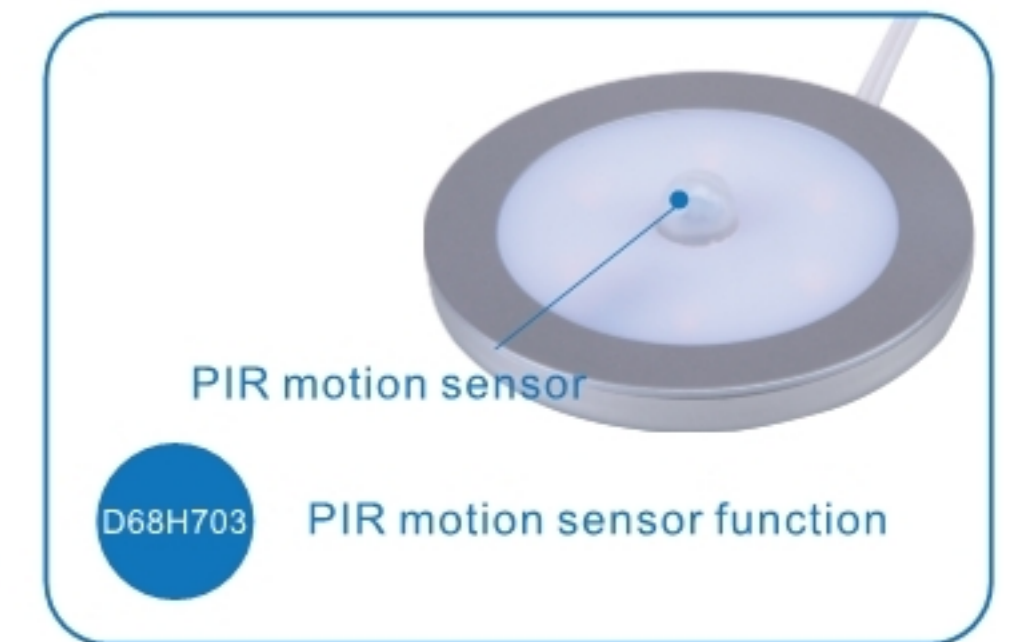
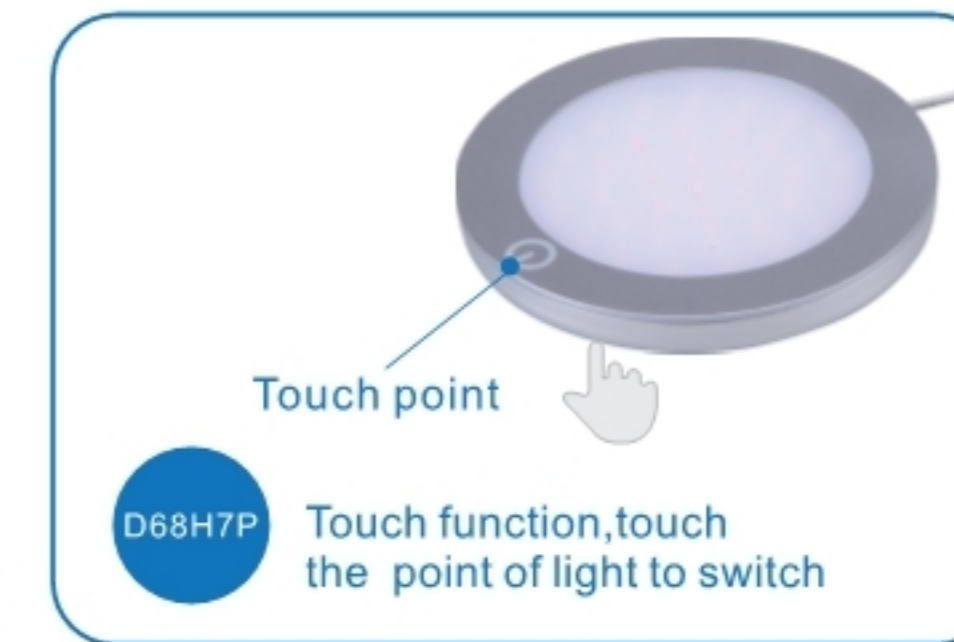
Specifications

Model	Part Number	Size(mm)	Power(W)	Voltage(V DC)	Beam Angle(°)	Lumen(lm)
D68H7	D68H701	D68×H7	2	12	108	119
	D68H702	D68×H7	3			179
	D68H703	D68×H7	3			145

The data listed above is based on CCT of 3000K,milky diffuser.



Features





79 D65H11 Series

Feature

- Special design facilitate heat dissipation
- Easy installation-Embedded or surface mounted by screw
- Energy saving, Long Lifespan



Cost Efficient



Embedded



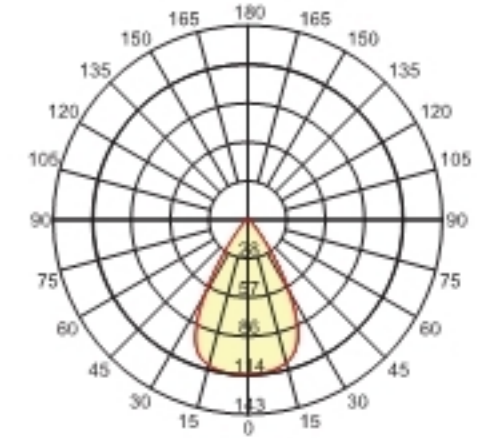
Surface Mounted

80

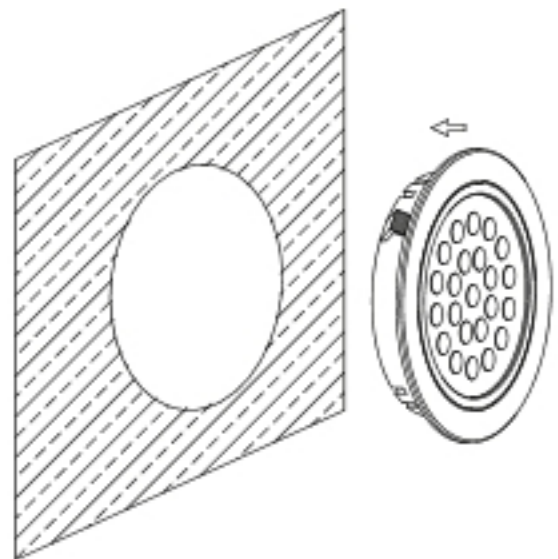
Specifications

Model	Part Number	Size(mm)	Power(W)	Voltage(V DC)	Beam Angle(°)	Lumen(lm)
D65H11	D65H11	D65×H11	2	12	61	136

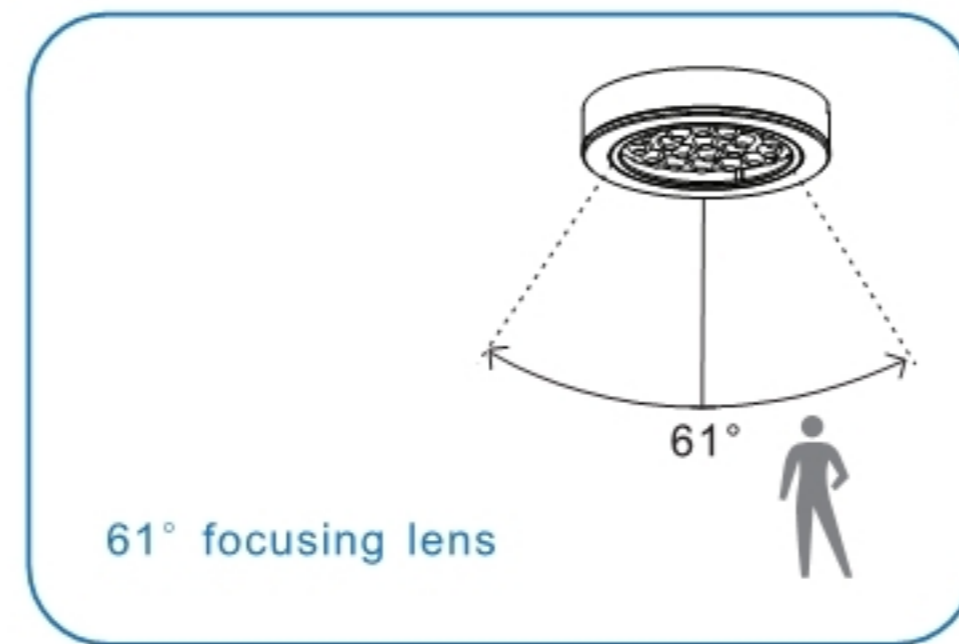
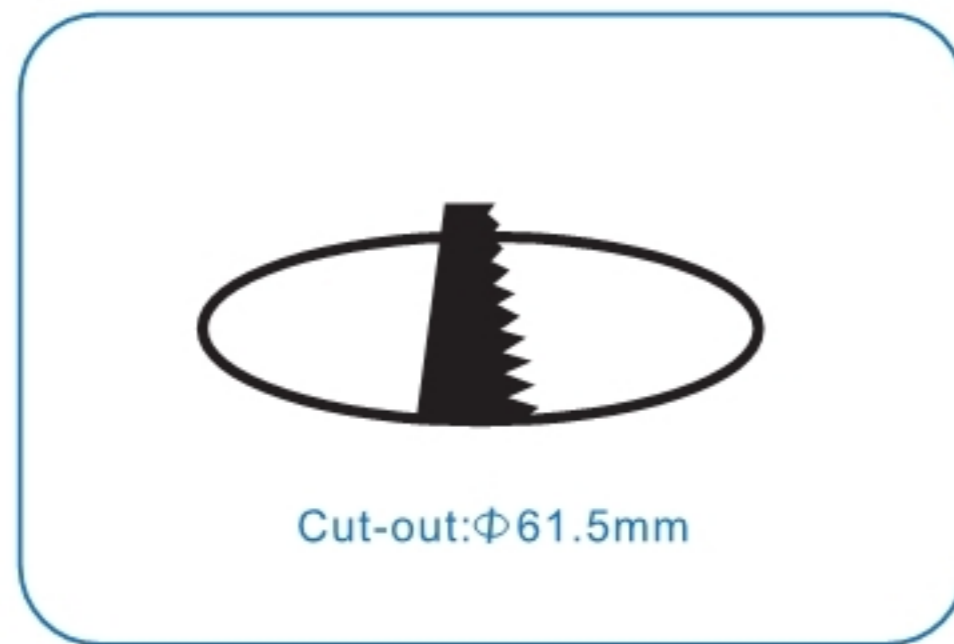
The data listed above is based on CCT of 3000K, frosted diffuser.



Installation



Product display



Features



81 D60H20 Series

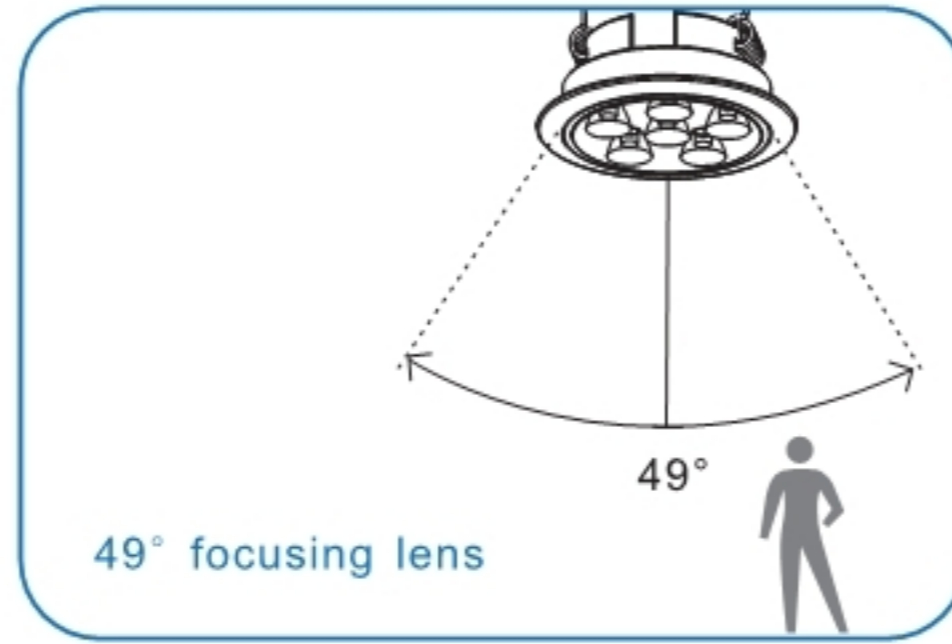
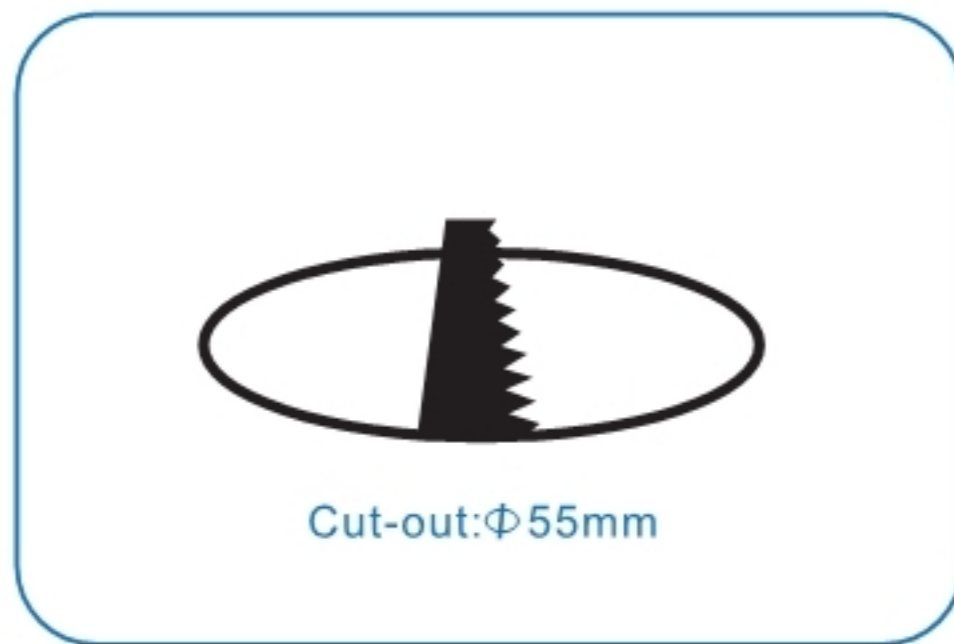
Feature

- Waterproof
- All-aluminum house facilitate heat dissipation
- Easy installation-embedded fix
- Optional lens(milky or clear)
- Energy saving,long lifespan

Installation



Product display

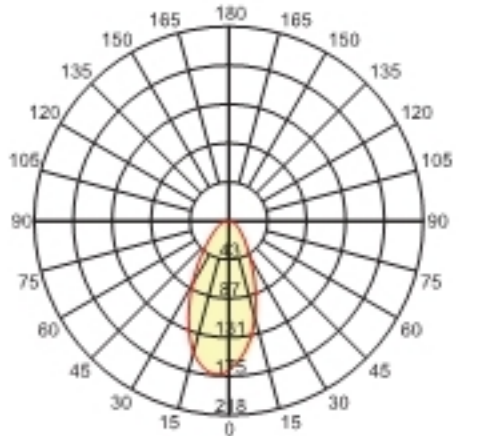


82

Specifications

Model	Part Number	Size(mm)	Power(W)	Voltage(V DC)	Beam Angle(°)	Lumen(lm)
D60H20	D60H20	D60×H20	2.9	24	49	176

The data listed above is based on CCT of 3000K, frosted diffuser.



Features



83 D60H6 Series

Feature

- Simplified and ultrathin design
- Easy installation
- Screw up or fixed by 3M sticker

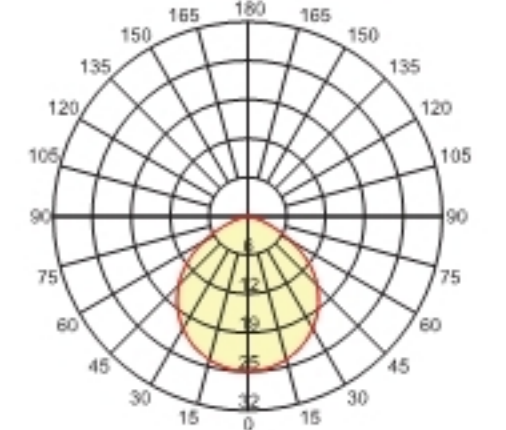


84

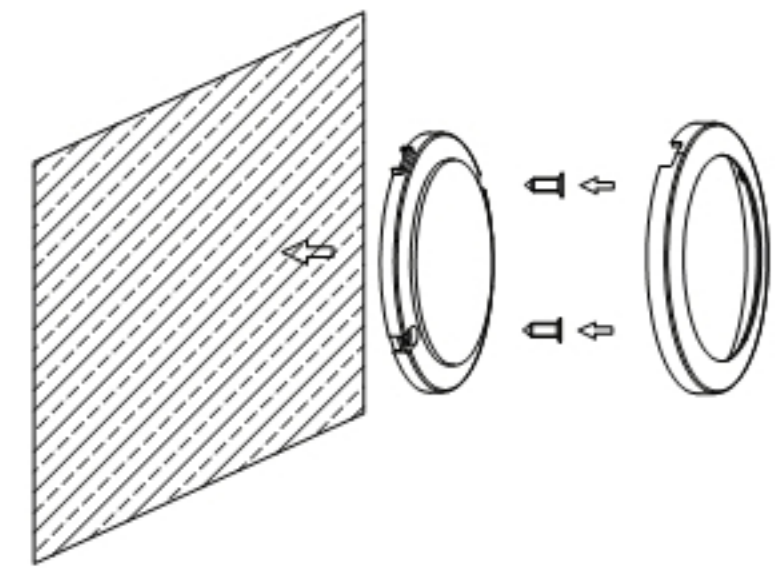
Specifications

Model	Part Number	Size(mm)	Power(W)	Voltage(V DC)	Beam Angle(°)	Lumen(lm)
D60H6	D60H601	D60×H6	1	12	104	68
	D60H602	D60×H6	1.5			102

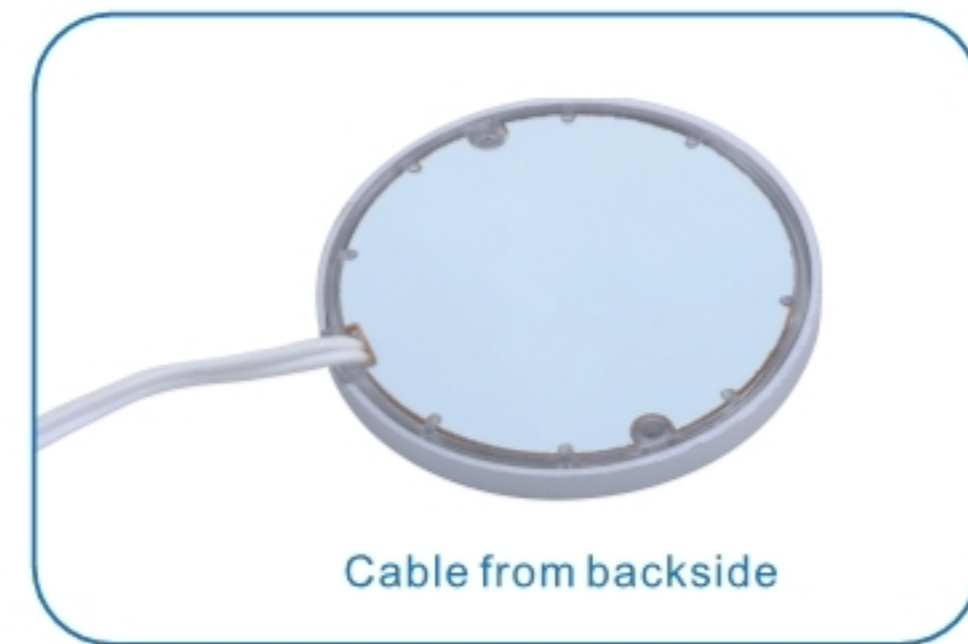
The data listed above is based on CCT of 3000K, frosted diffuser.



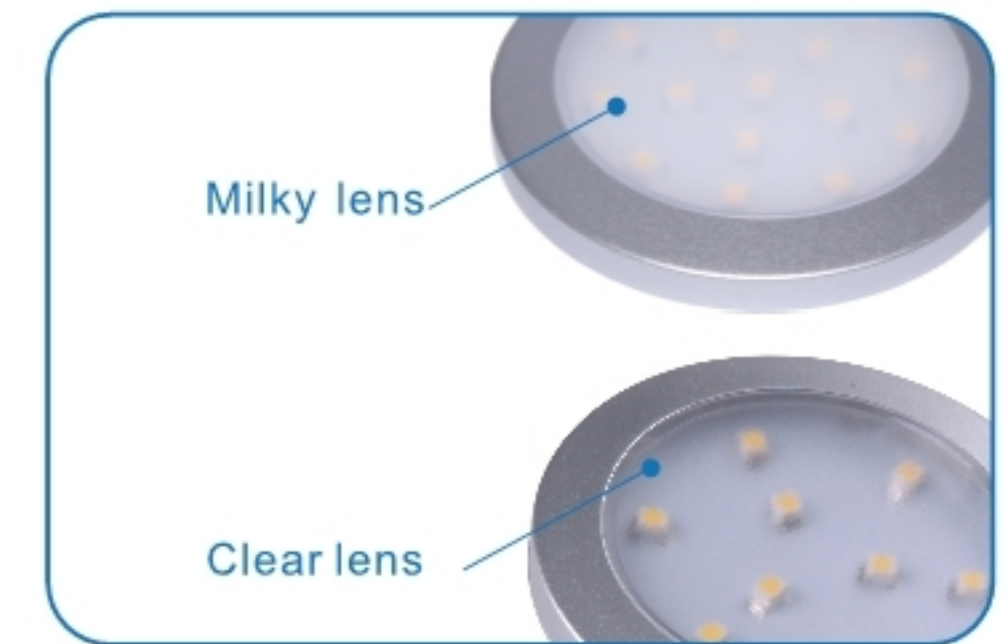
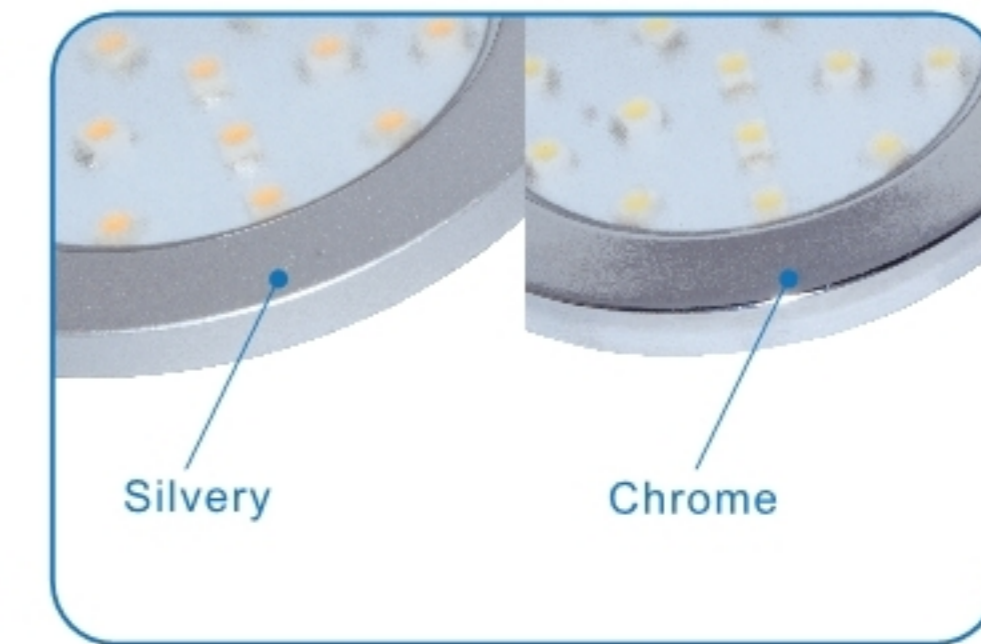
Installation



Product display



Features





85 S55H6 Series

Feature

- Simplified and ultrathin design
- Easy installation
- Screw up or fixed by 3M sticker

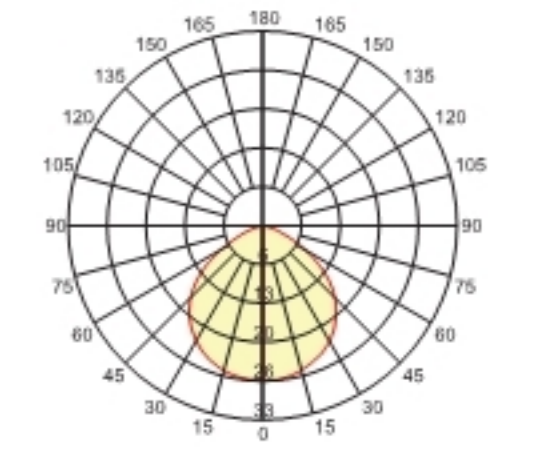


86

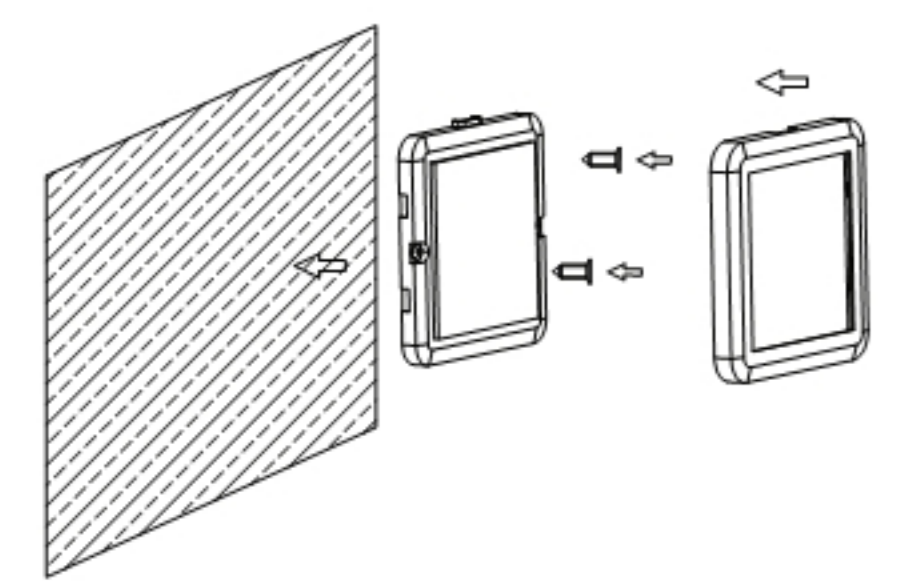
Specifications

Model	Part Number	Size(mm)	Power(W)	Voltage(V DC)	Beam Angle(°)	Lumen(lm)
S55H6	S55H601	W55×H6	1	12	105	73
	S55H602	W55×H6	1.5			109

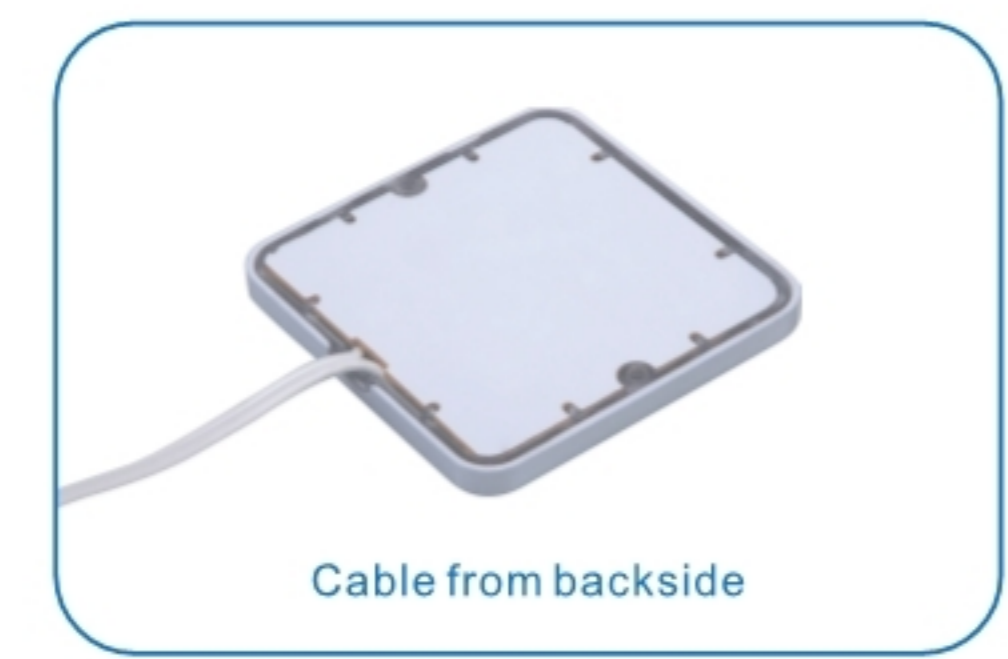
The data listed above is based on CCT of 3000K, frosted diffuser.



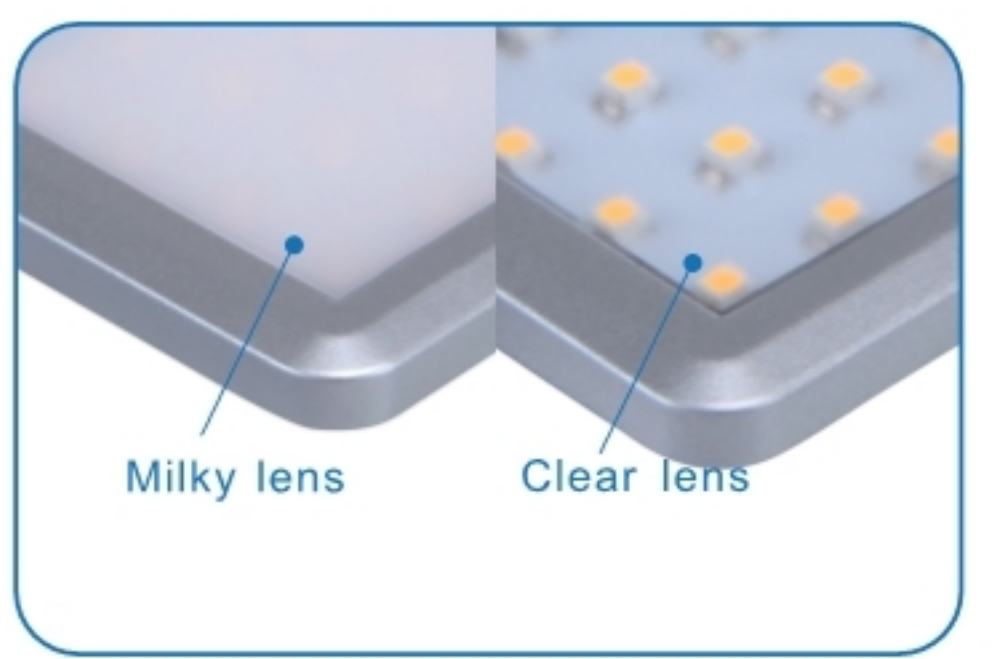
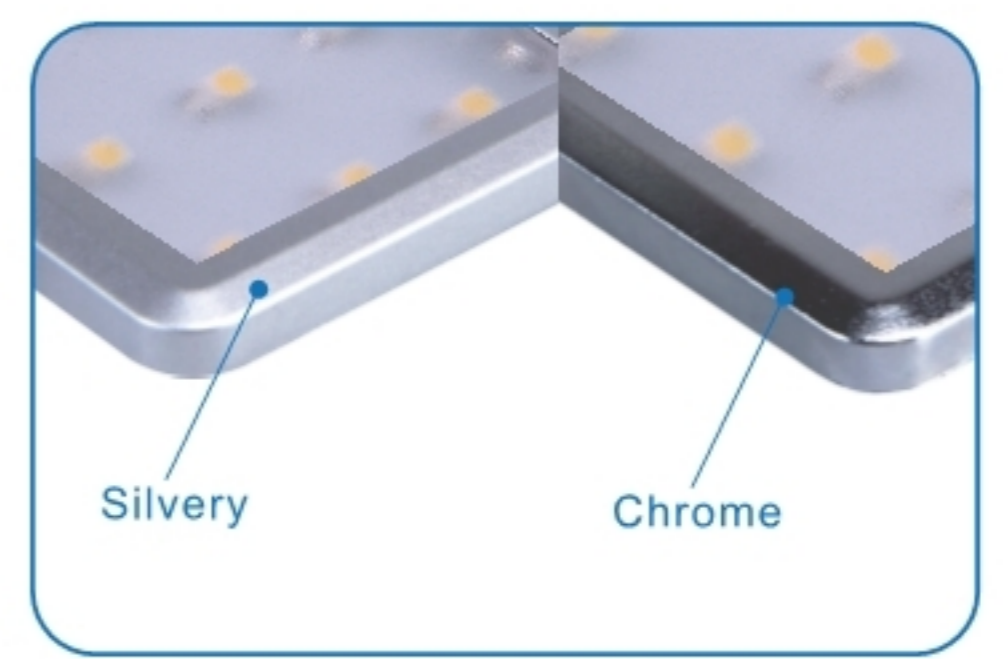
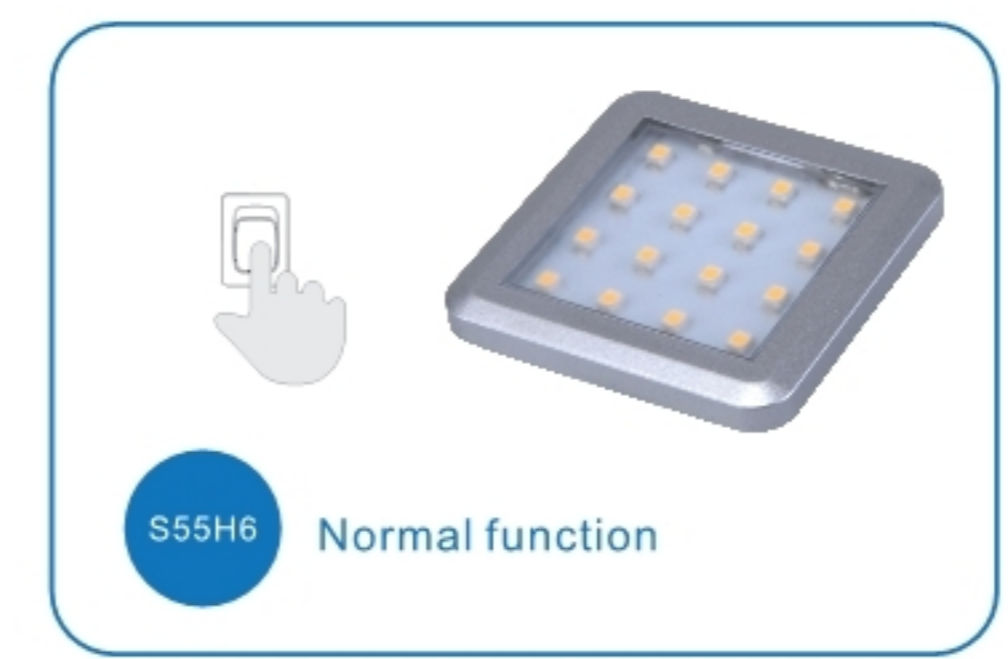
Installation



Product display



Features



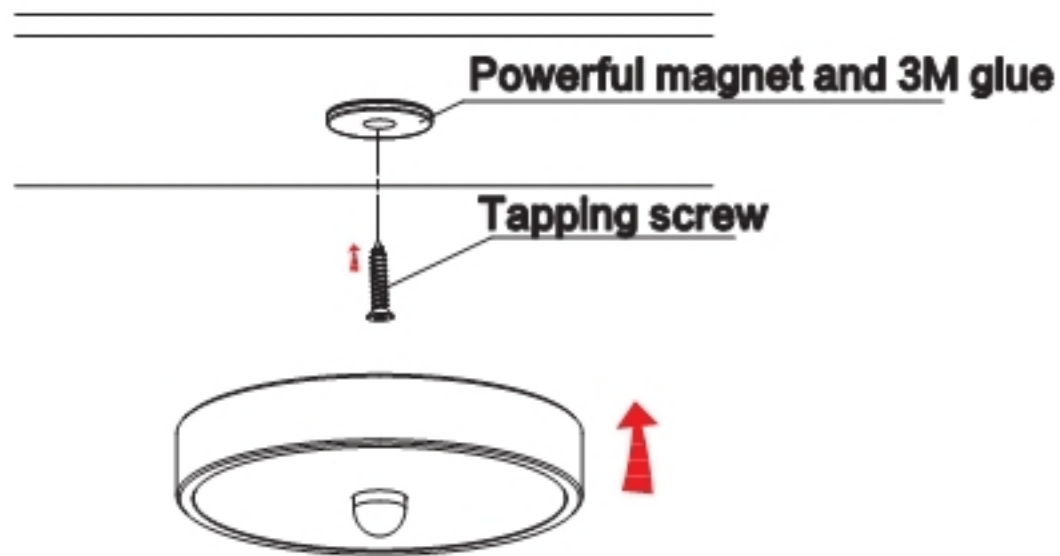
87 BD77H12 Series

Feature

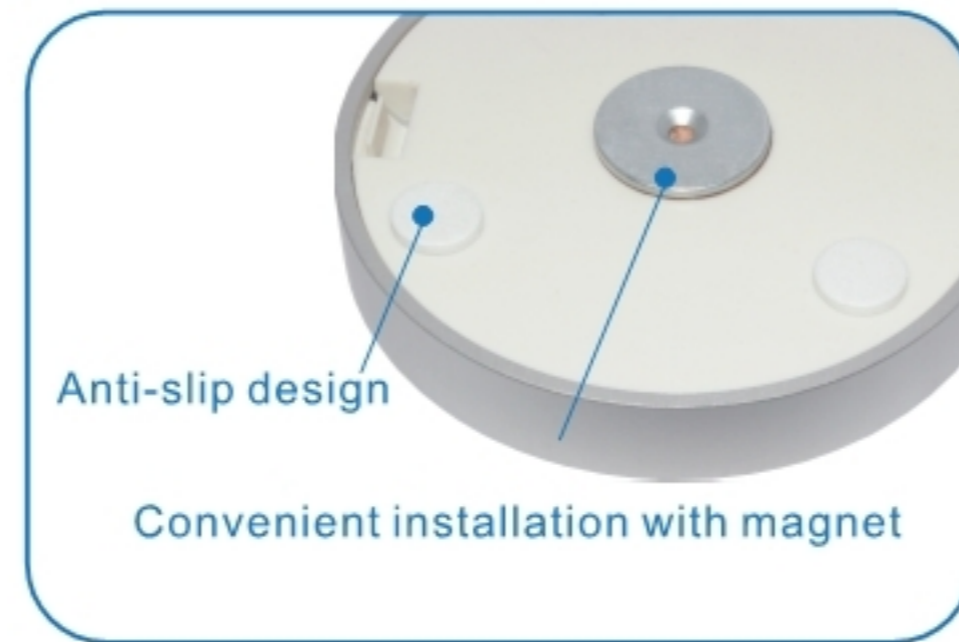
- Lithium battery light
- All-aluminum house facilitate heat dissipation
- PIR function
- Four mode can be chosen
Power supply by Micro USB



Installation



Product display



Built-in
Lithium Battery



88

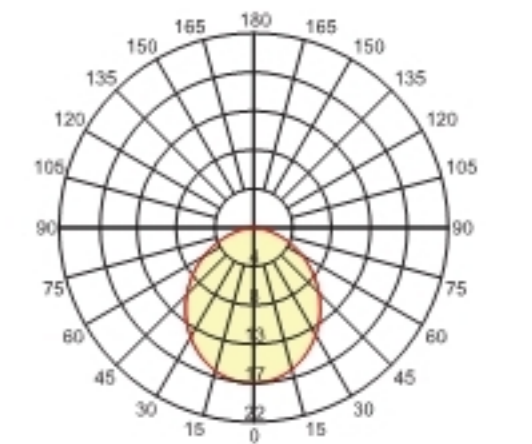
Specifications

Model	Part Number	Size(mm)	Power(W)	Beam Angle(°)	Lumen(lm)
BD77H12	BD77H12	D77×H12	1	102	51

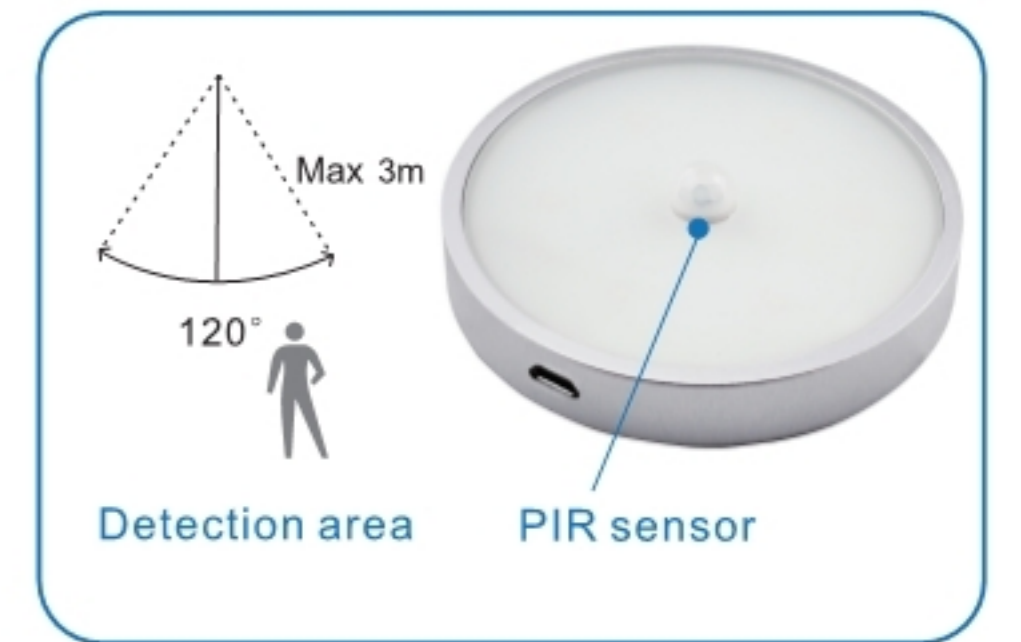
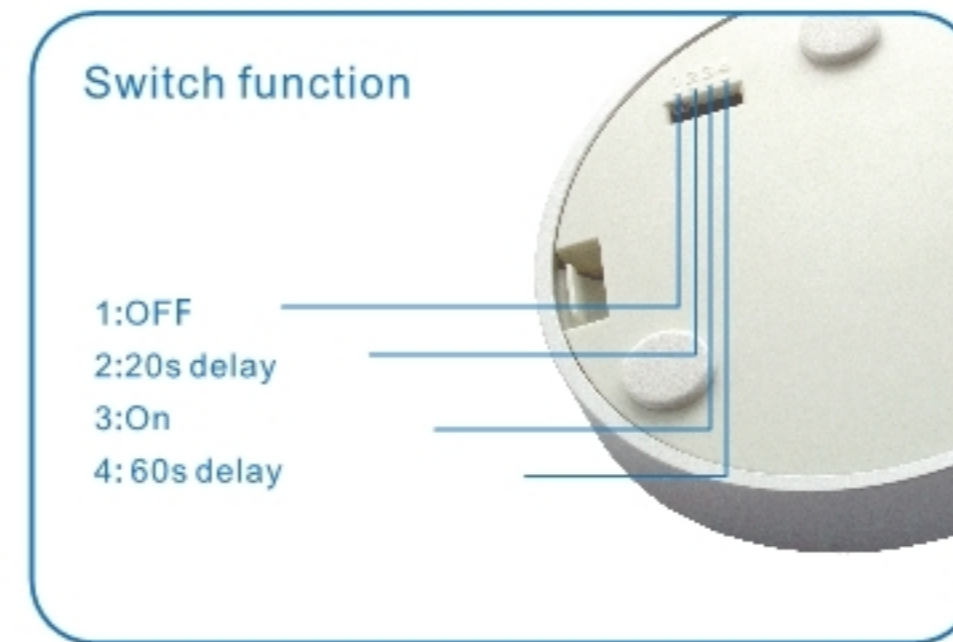
Lithium Battery with High Performance

Input(V)	Capacity(mAh)	Charging Time(H)	Lifespan
4.2	1000mAh	2.5-3	≥ 300times

The data listed above is based on CCT of 3000K



Features



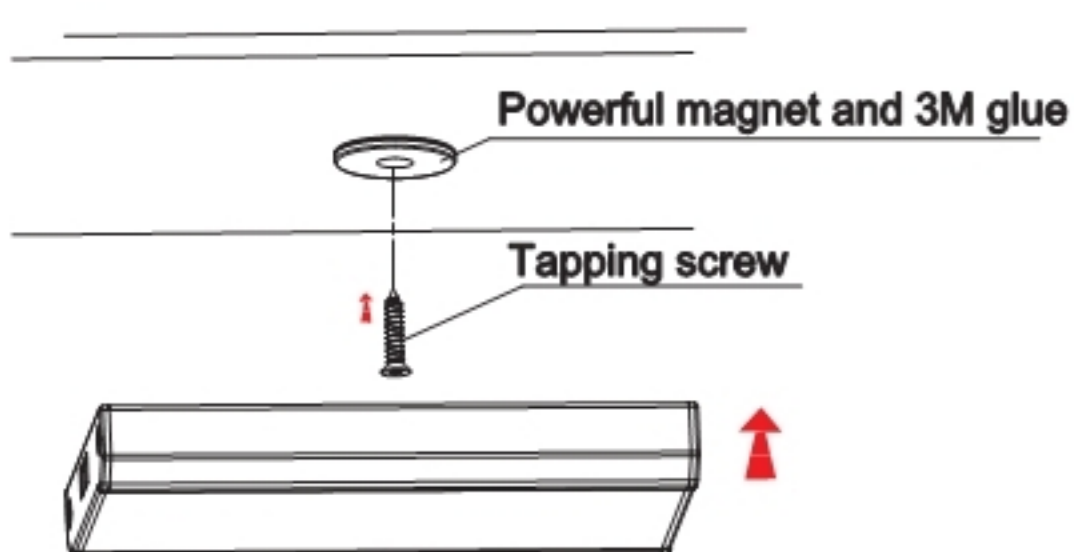


89 BL100S47 Series

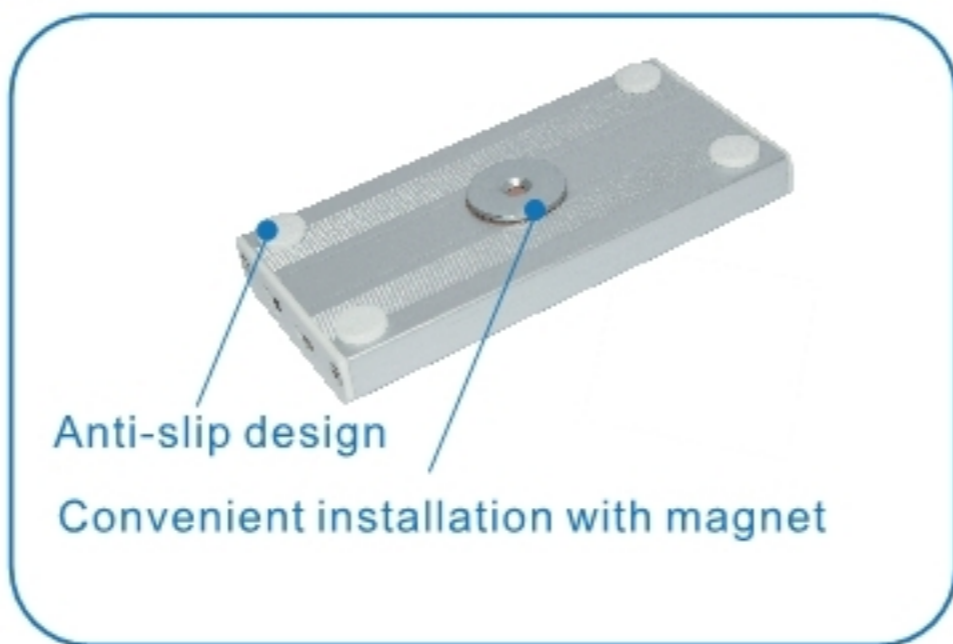
Feature

- Lithium battery light
- All-aluminum house facilitate heat dissipation
- PIR function
- Power supply by Micro USB

Installation



Product display



Lithium Battery Built-in



90

Specifications

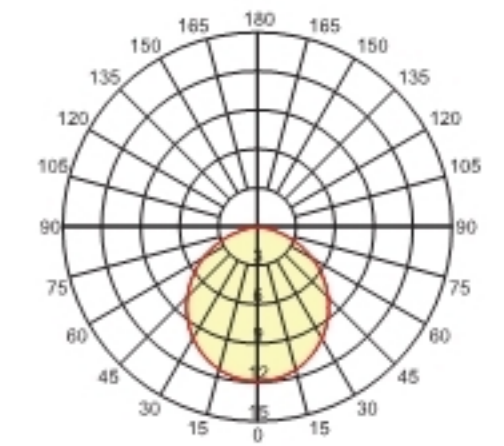
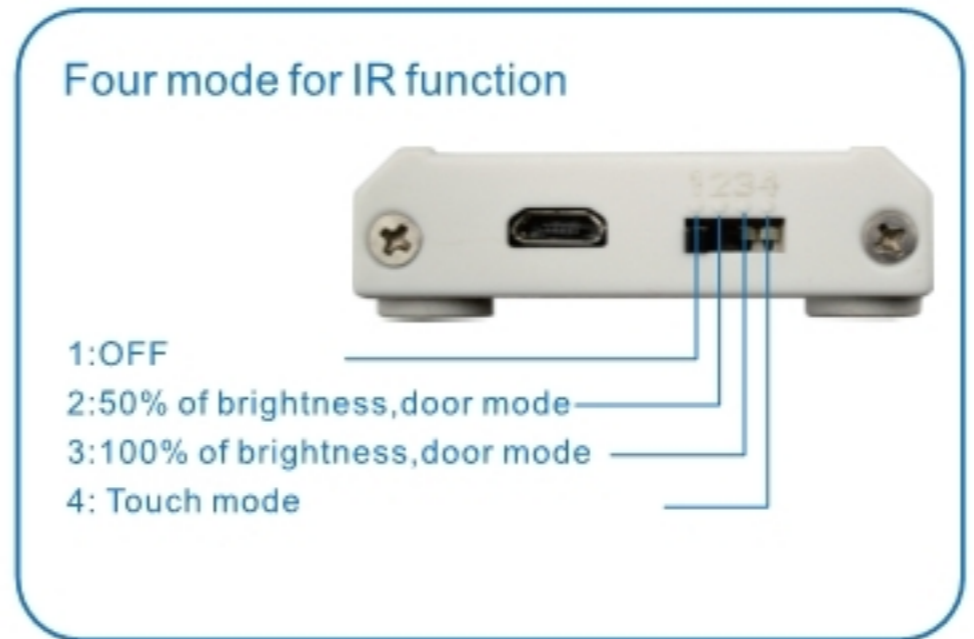
Model	Part Number	Size(mm)	Power(W)	Beam Angle(°)	Lumen(lm)
BL100S47	BL100S47	49x13x100	1	105	51

Lithium Battery with High Performance

Input(V)	Capacity(mAh)	Charging Time(H)	Lifespan
4.2	1000mAh	2.5-3	≥ 300times

The data listed above is based on CCT of 3000K

Features



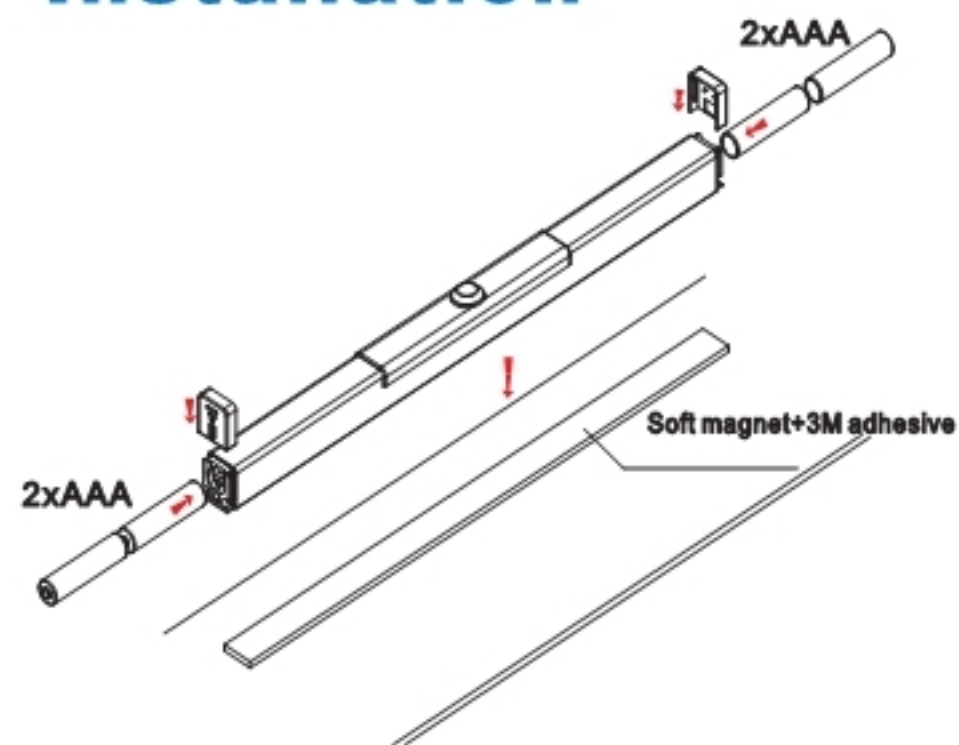


91 BL300S17 Series

Feature

- Lithium battery light
- All-aluminum house facilitate heat dissipation
- IR-PIR function
- Power supply by Battery

Installation



Product display



Dry battery



92

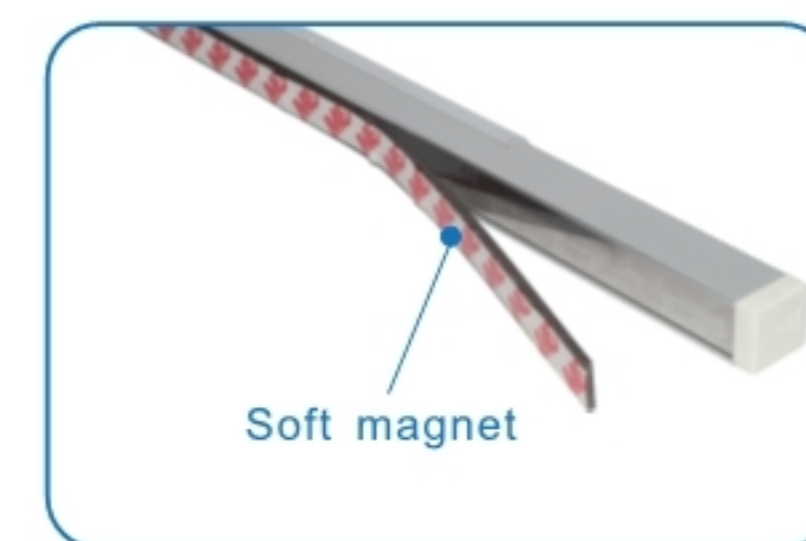
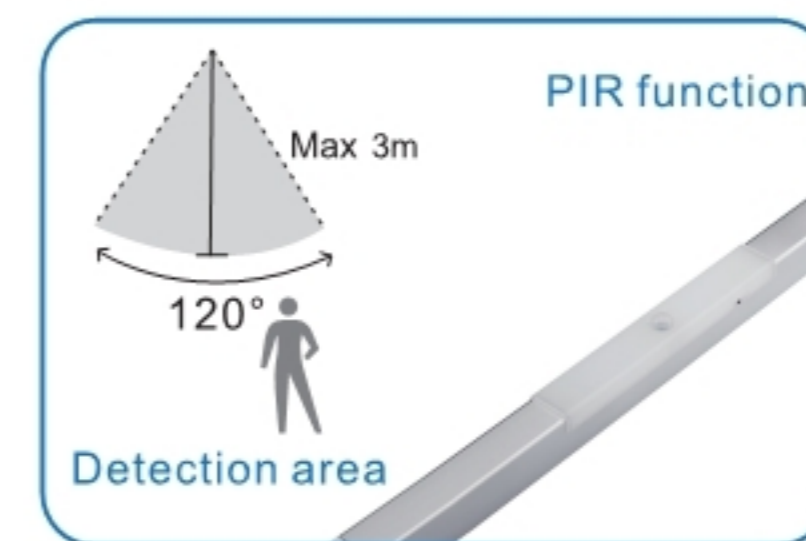
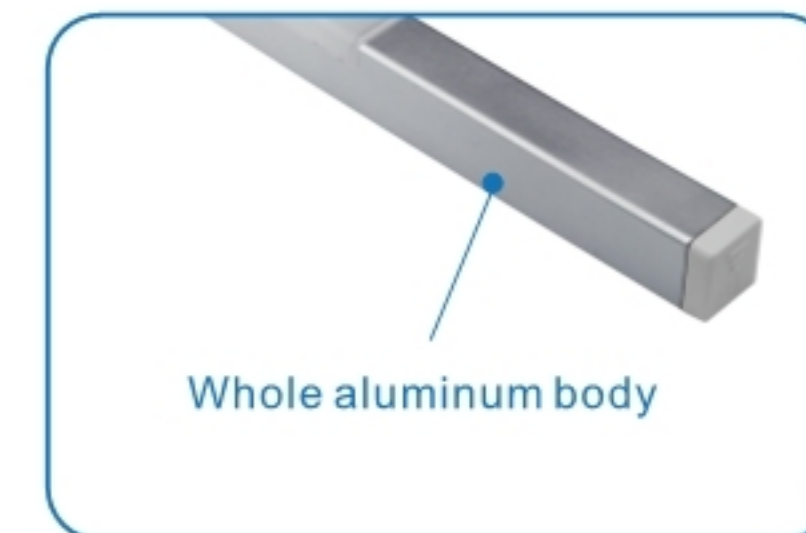
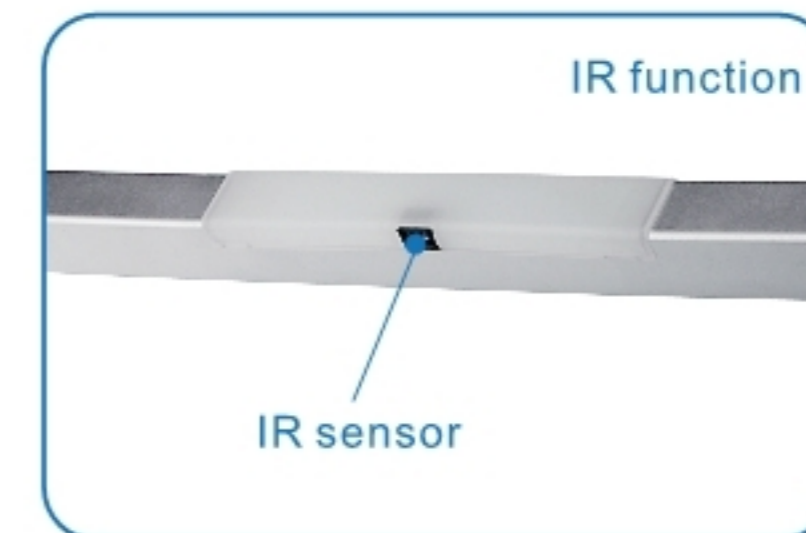
Specifications

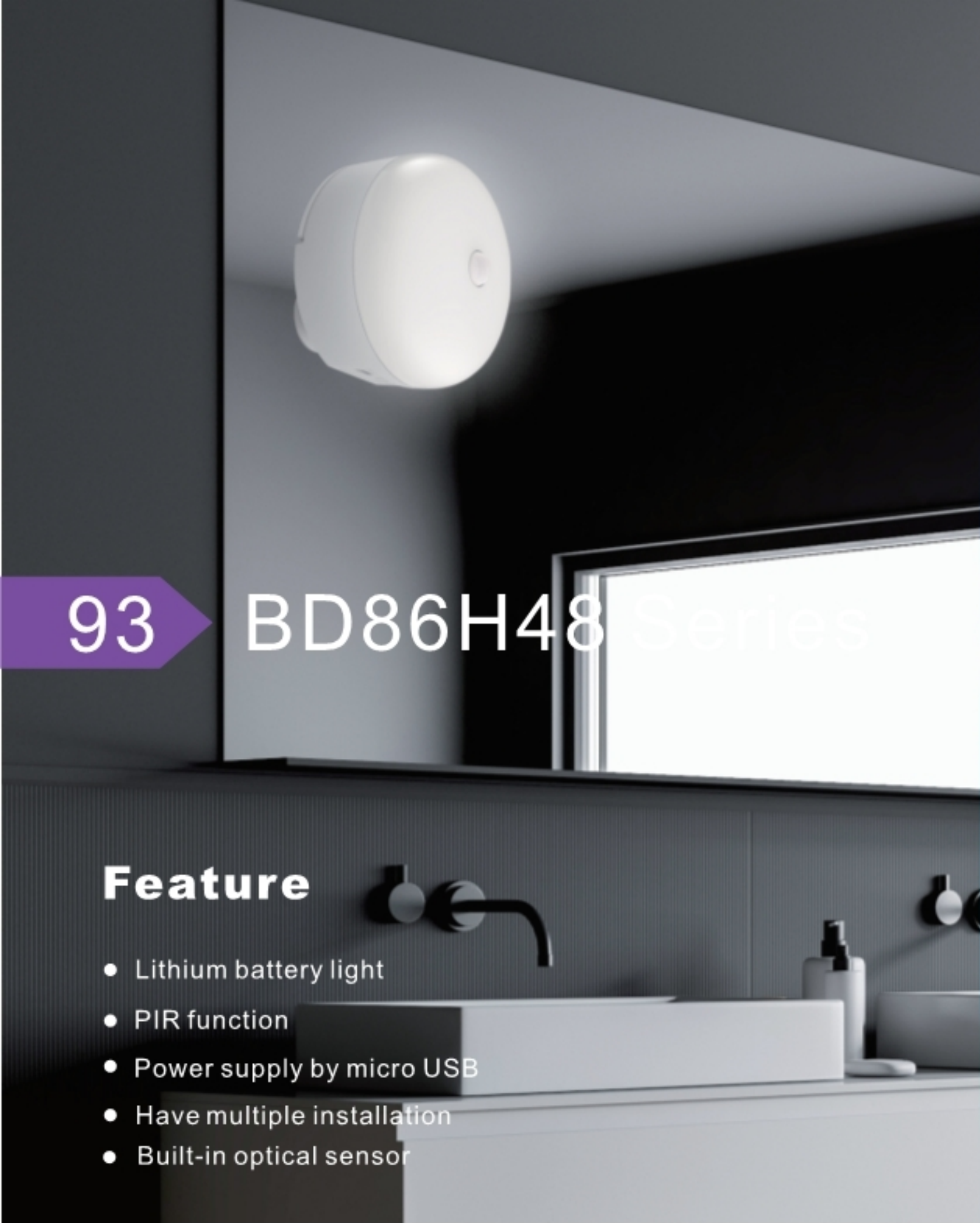
*4 x AAA dry battery allow 10 hours of continuous working

Model	Part Number	Size(mm)	Power(W)	Voltage(V DC)	Beam Angle(°)	Lumen(lm)
BL300S17	BL300S17-IR	17×18×300	1	6	112	42
	BL300S17-PIR	17×18×300	1			42

The data listed above is based on CCT of 3000K

Features





93 BD86H48 Series

Feature

- Lithium battery light
- PIR function
- Power supply by micro USB
- Have multiple installation
- Built-in optical sensor



NEW

Built-in Lithium Battery



BD86H48P



BD86H48PIR

94

Specifications

Model	Part Number	Size(mm)	Power(W)	Beam Angle(°)	Lumen(lm)	Lighting time(H)
BD86H48	BD86H48P	D86XH48	2.6	126°	180	4-5
BD86H48	BD86H48PIR	D86XH52.4	2.6	126°	180	

Lithium Battery with High Performance

Input(V)	Capacity(mAh)	Charging Time(H)	Lifespan
4.2	2000	2-3	≥ 300times

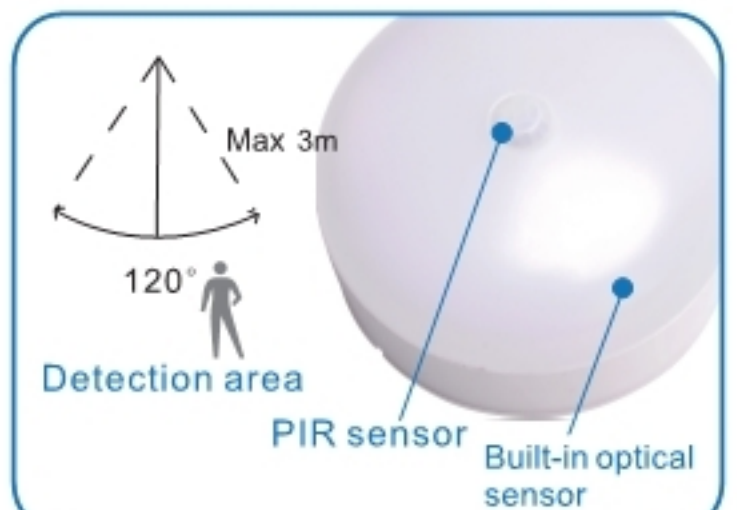
The data listed above is based on CCT of 3000K

Features

Installation



Product display



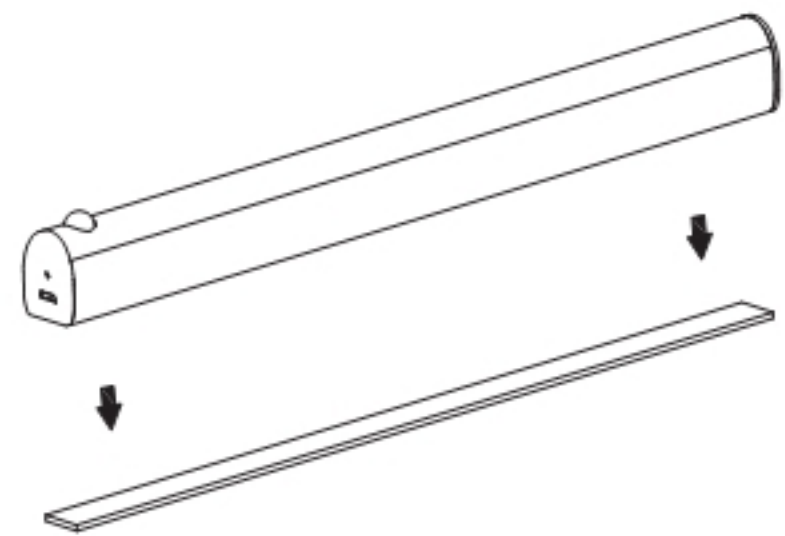


95 BL300S21PIR Series

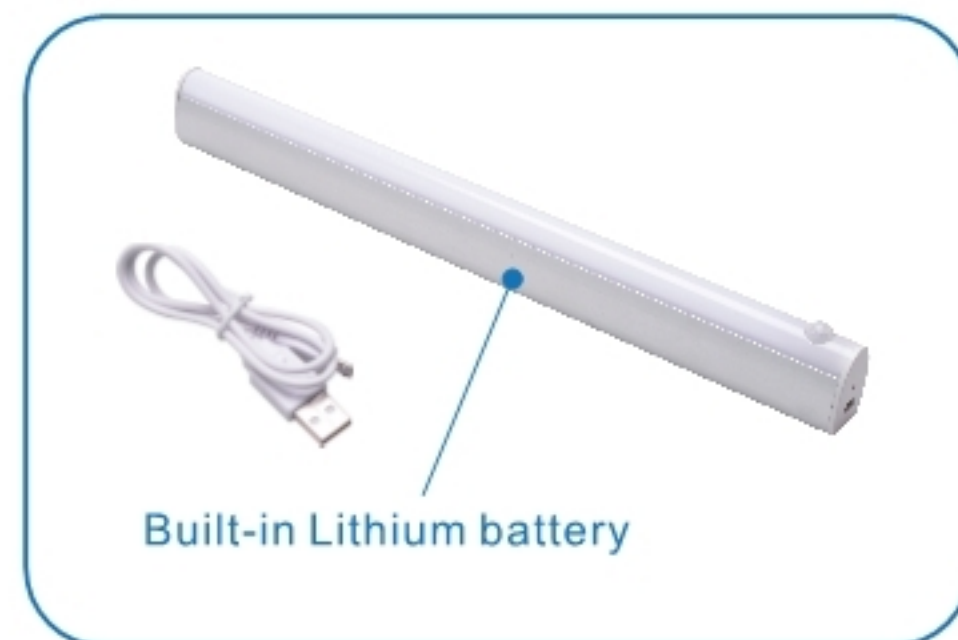
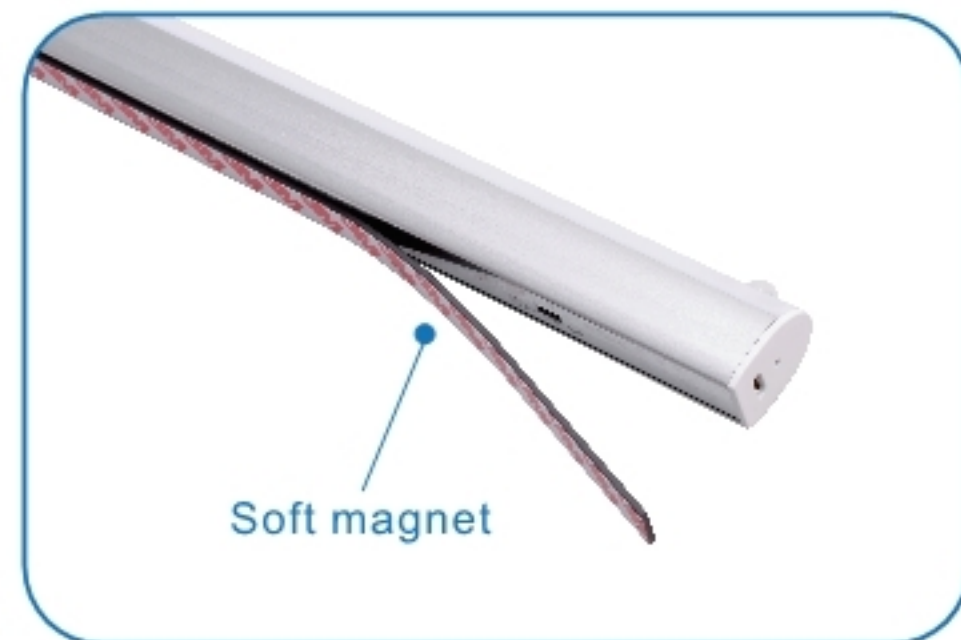
Feature

- Lithium battery light
- All-aluminum lamp body facilitate heat-dissipation
- PIR function
- Power supply by micro USB
- Three mode (On/Auto/Off) can be chosen
- Built-in optical sensor

Installation



Product display



Specifications

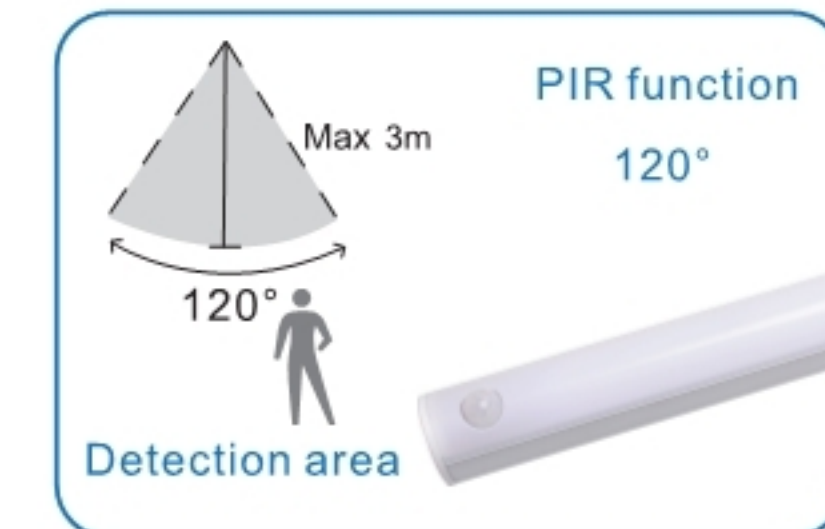
Model	Part Number	Size(mm)	Power(W)	Beam Angle(°)	Lumen(lm)	Lighting time(H)
BL300S21	BL300S21PIR	21x34.5x300	3	125°	200	4-5

Lithium Battery with High Performance

Input(V)	Capacity(mAh)	Charging Time(H)	Lifespan
4.2	2000	2-3	≥ 300times

The data listed above is based on CCT of 3000K

Features



96

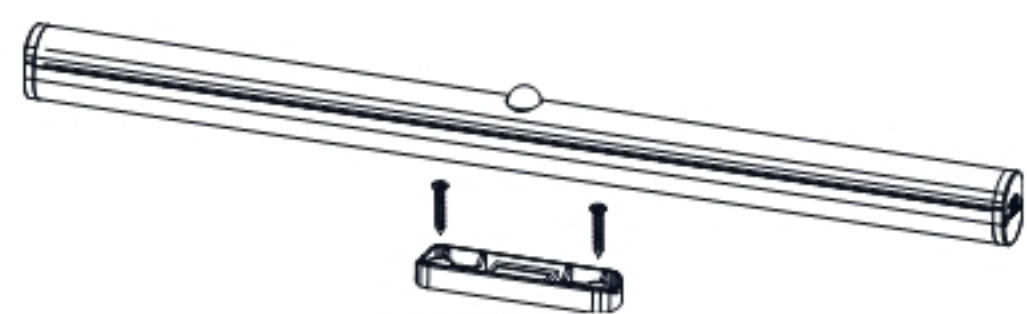


97 BL300S25PIR Series

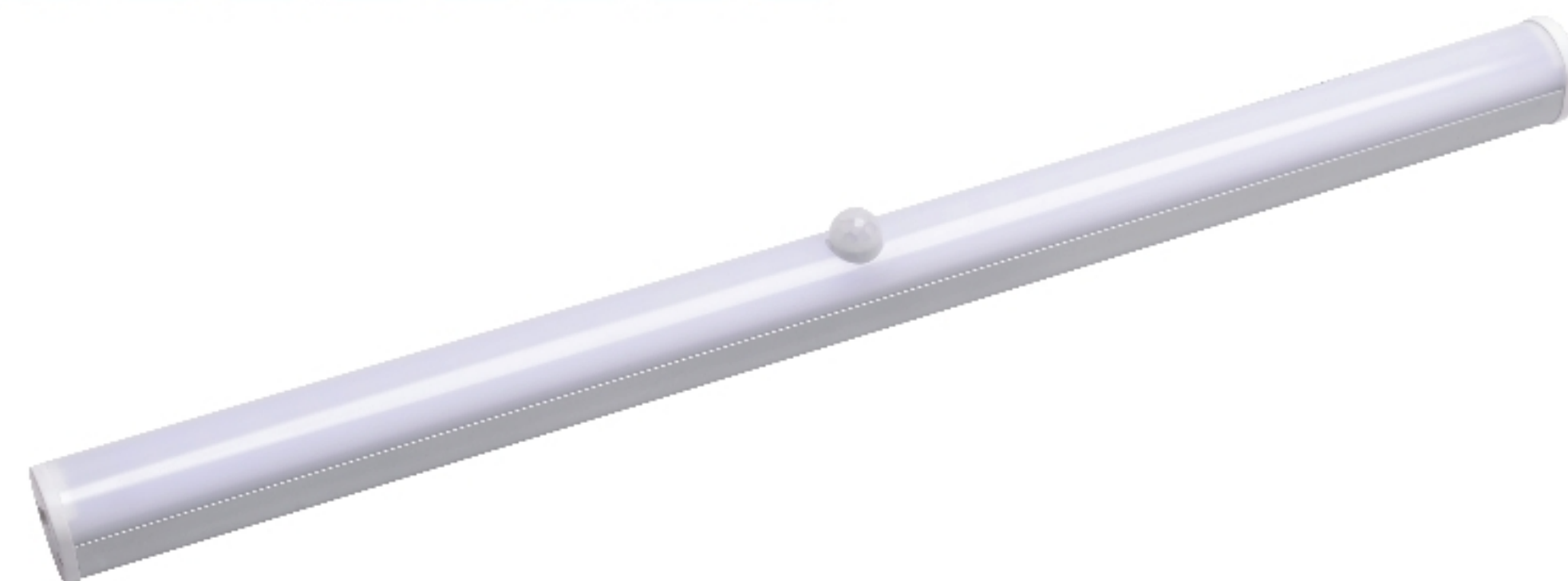
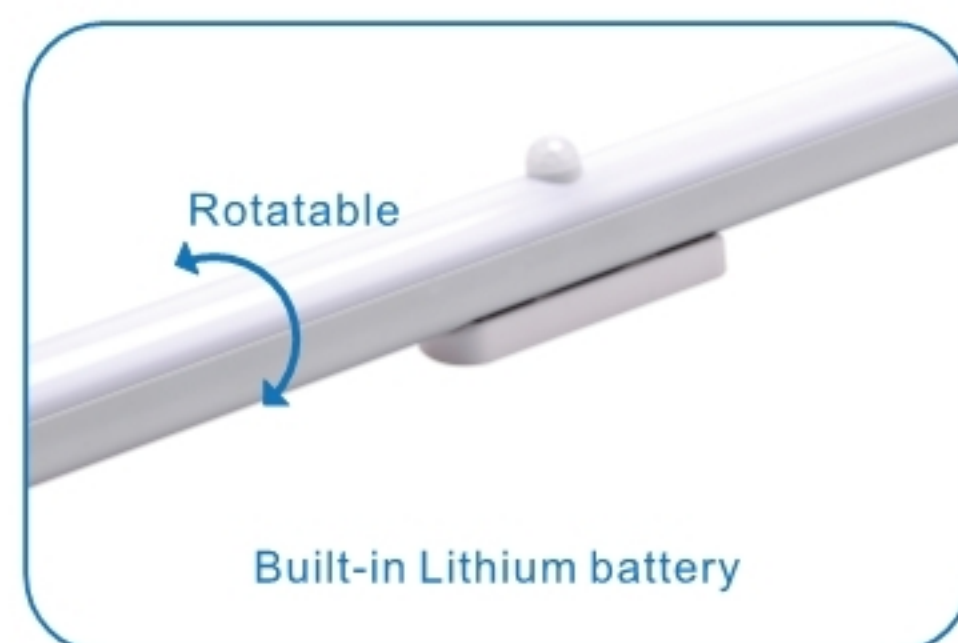
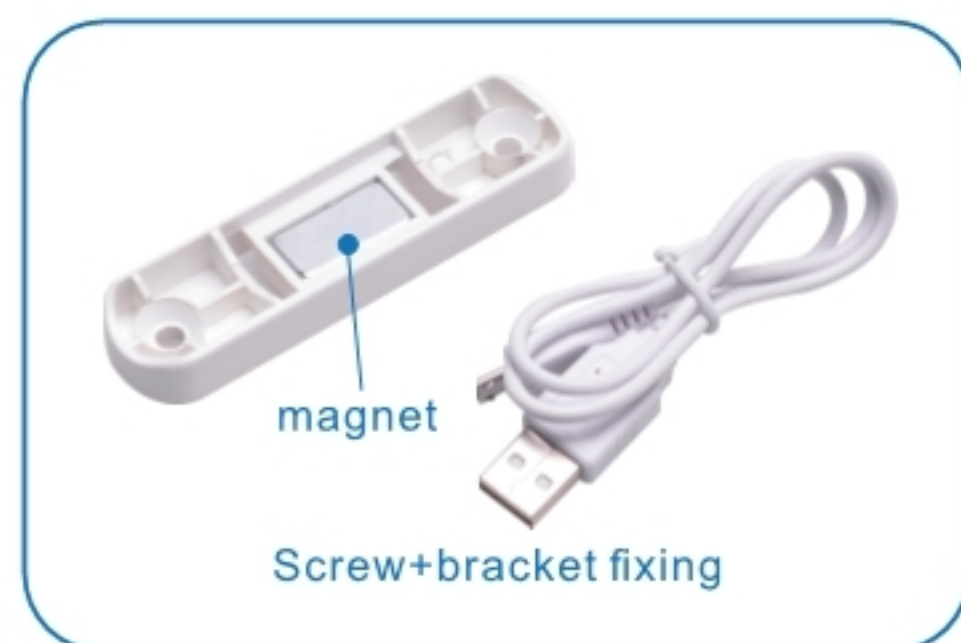
Feature

- Lithium battery light
- All-aluminum lamp body facilitate heat-dissipation
- PIR function
- Power supply by micro USB
- Three mode (On/Auto/Off) can be chosen
- Built-in optical sensor

Installation



Product display



Specifications

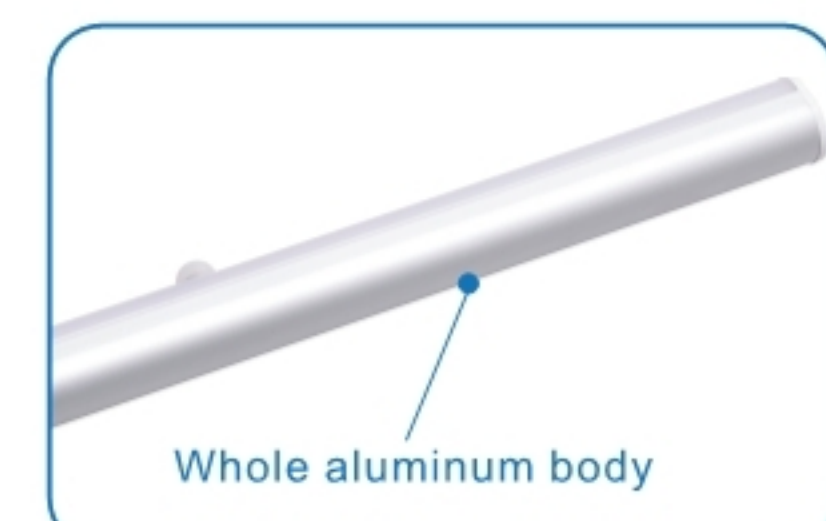
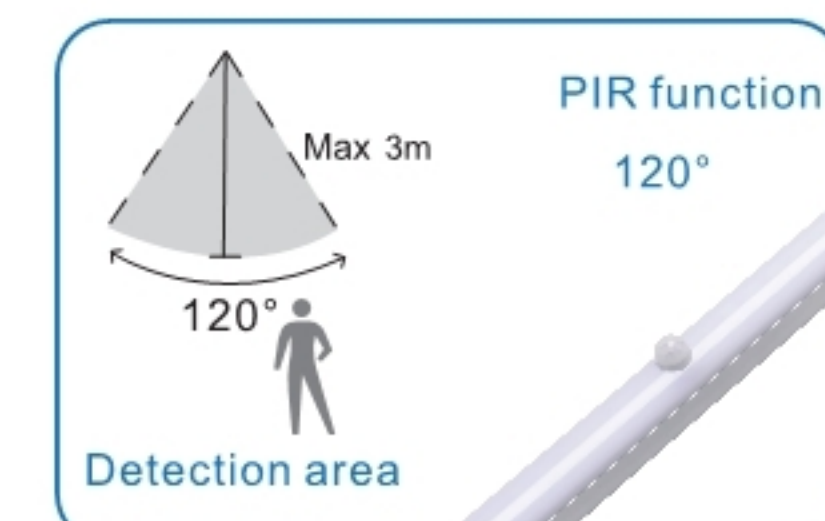
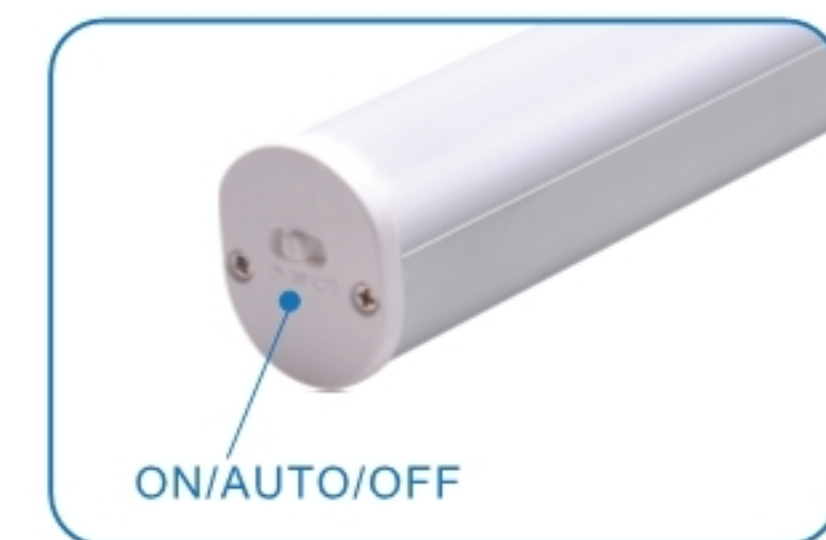
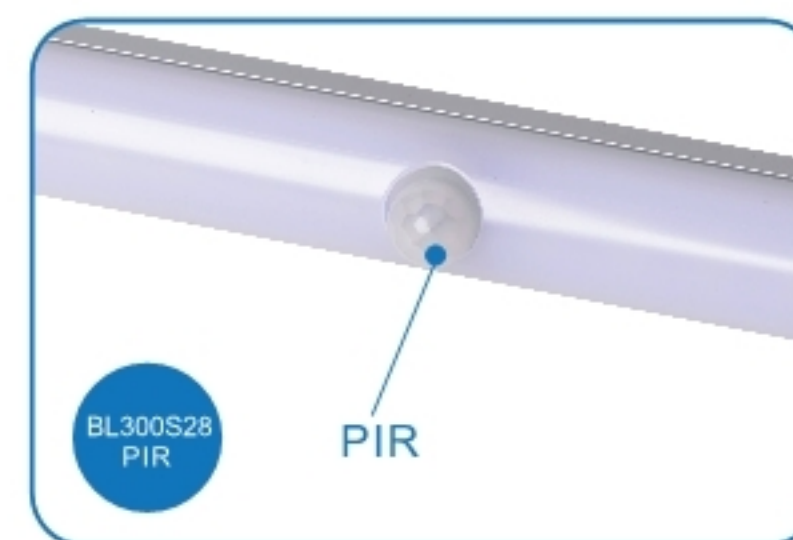
Model	Part Number	Size(mm)	Power(W)	Beam Angle(°)	Lumen(lm)	Lighting time(H)
BL300S25	BL300S25PIR	18x22x300	1.5	118°	130	4-5

Lithium Battery with High Performance

Input(V)	Capacity(mAh)	Charging Time(H)	Lifespan
4.2	560	1-2	≥ 300times

The data listed above is based on CCT of 3000K

Features



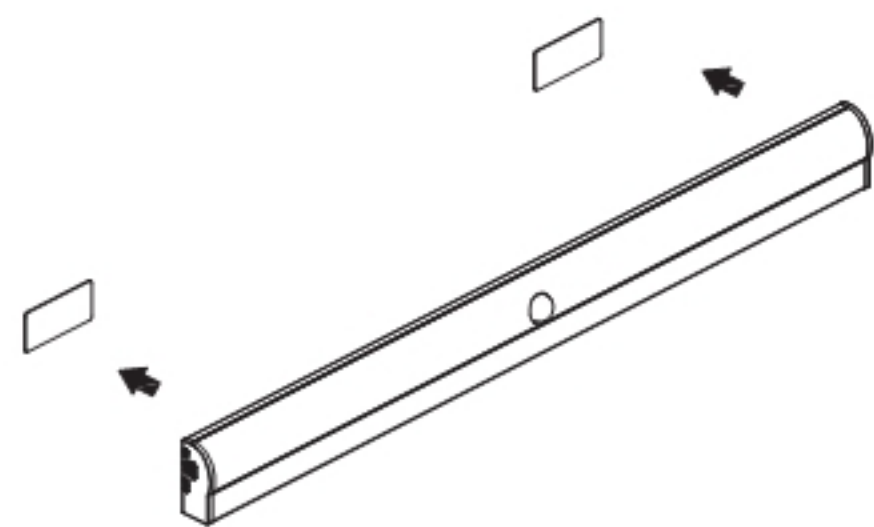


99 BL300S28PIR Series

Feature

- Lithium battery light
- All-aluminum lamp body facilitate heat-dissipation
- PIR function
- Power supply by micro USB
- Three mode (On/Auto/Off) can be chosen
- Built-in optical sensor

Installation



Product display



Specifications

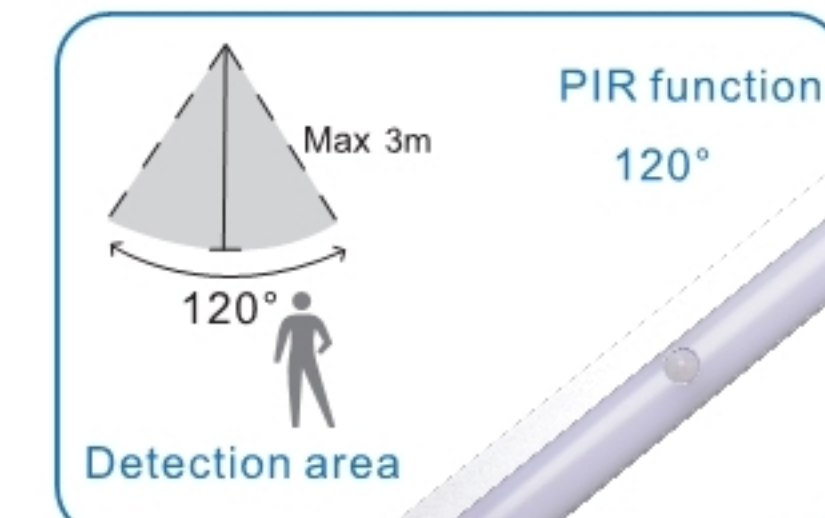
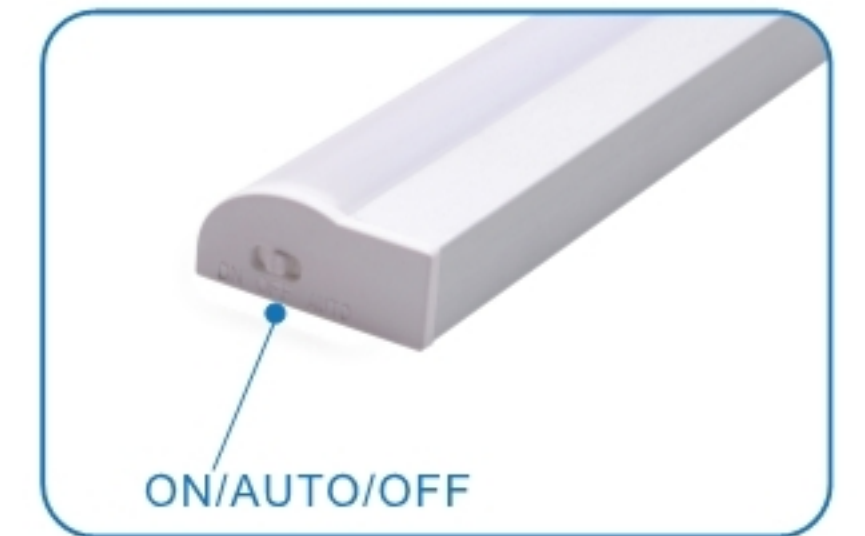
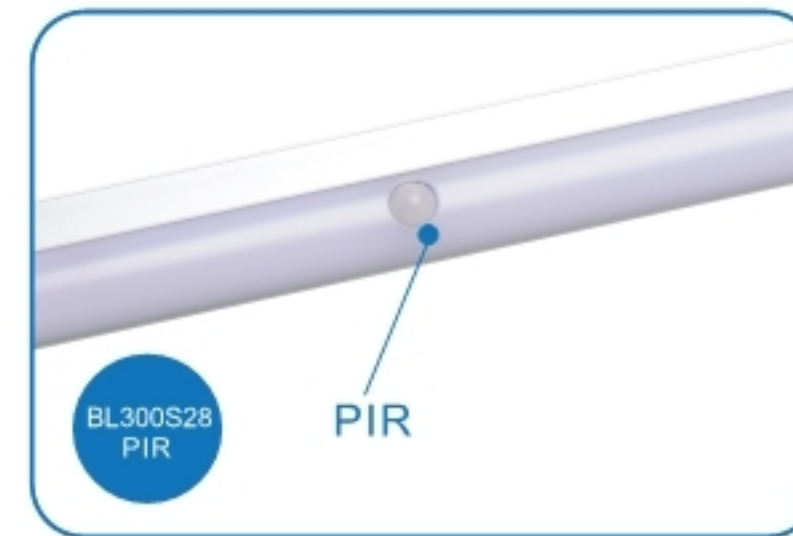
Model	Part Number	Size(mm)	Power(W)	Beam Angle(°)	Lumen(lm)	Lighting time(H)
BL300S28	BL300S28PIR	28x16.5x300	1.5	109°	105	4-5

Lithium Battery with High Performance

Input(V)	Capacity(mAh)	Charging Time(H)	Lifespan
4.2	560	1-2	≥ 300times

The data listed above is based on CCT of 3000K

Features

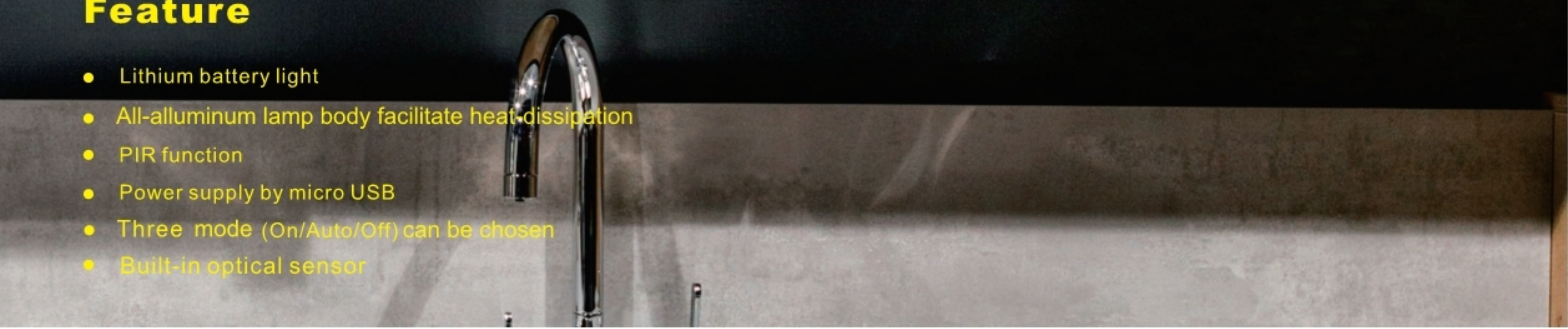




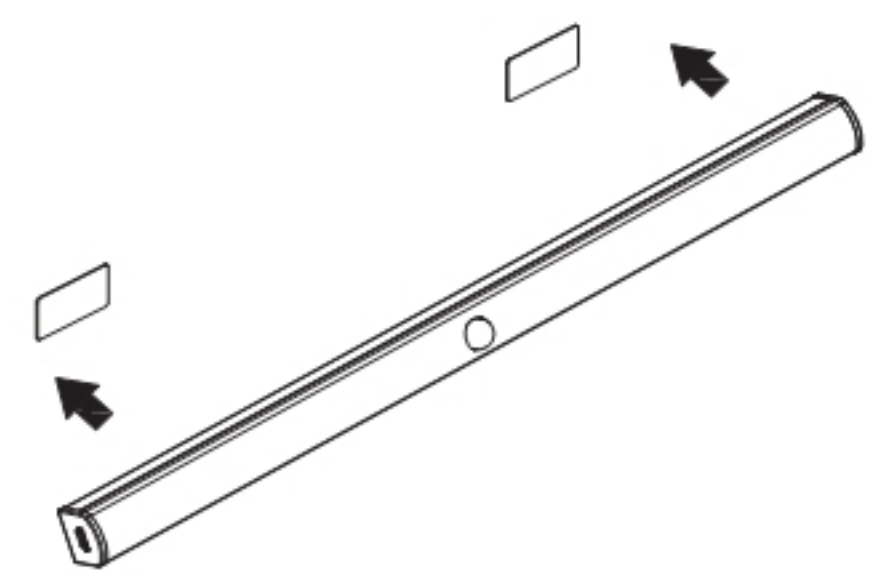
101 BL300S18PIR Series

Feature

- Lithium battery light
- All-aluminum lamp body facilitate heat-dissipation
- PIR function
- Power supply by micro USB
- Three mode (On/Auto/Off) can be chosen
- Built-in optical sensor



Installation



Product display



Specifications

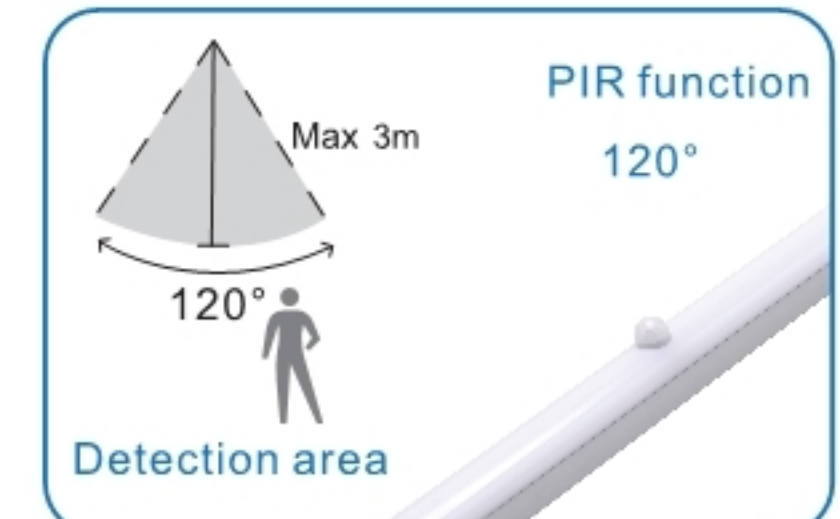
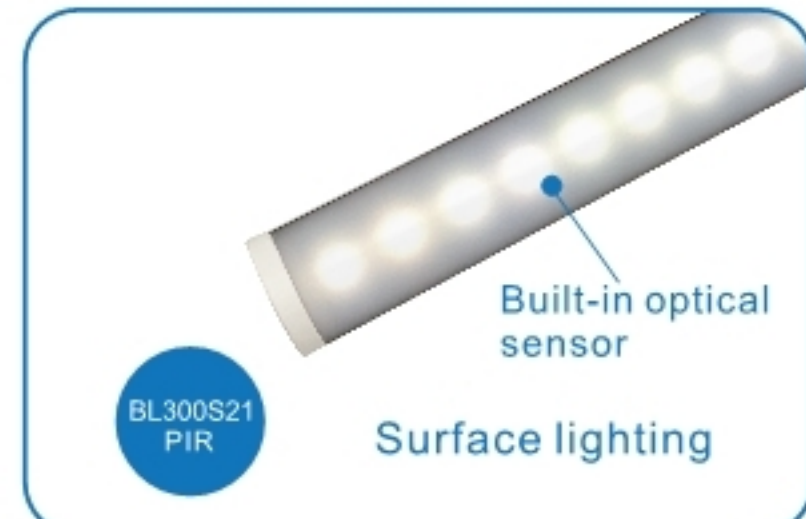
Model	Part Number	Size(mm)	Power(W)	Beam Angle(°)	Lumen(lm)	Lighting time(H)
BL300S18	BL300S18PIR	18x21.5x300	1.5	115°	137	4-5

Lithium Battery with High Performance

Input(V)	Capacity(mAh)	Charging Time(H)	Lifespan
4.2	800	2.5-3	≥ 300times

The data listed above is based on CCT of 3000K

Features



102

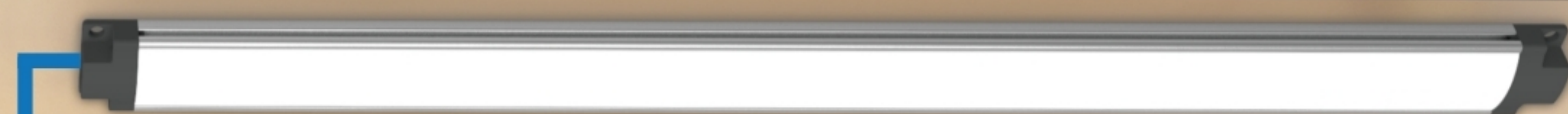


POWER

103 S02 Series

Feature

- Light could be controlled by adopting different modules as to customer's different requirement
- It could be connected by wires or by DC head
- The Module has blue light indicator to control easily
- Power:0~60W
- Voltage:10~30V DC



Application

Used for connection to LED lights

BOX

POWER

104

Specifications

Part Number	Model	Size(mm)	Power(W)	Voltage(V DC)
S02	S02-PD	L48xW23xH11	0-60W	10-30V
	S02-PR	L48xW23xH11	0-60W	10-30V
	S02-IR	L48xW23xH11	0-60W	10-30V

S01 Series

- IR Sensor Switch
- Model:S01
- Rated Power:48W MAX
- Voltage:10~30V DC
- Detecting distance:3~5cm
- Dimensions:17mm(D)x53mm(L)
- 2 functions can be chosen(door mode or touch mode)
- Application:used for control lights to on/off

BOX0108

- Distributor
- Model:BOX0108
- Max.Rated Power:0~30W
- Max.load current:2A
- Material:Plastic
- Extension 8 x 3.5 DC interfaces
- Dimensions:59(L)x31(W)x14(H)mm

BOX0104

- Distributor
- Model:BOX0104
- Max.Rated Power:0~30W
- Max.load current:2A
- Material:Plastic
- Extension 4 x Dupont DC interfaces
- Dimensions:32(L)x37(W)x13.6(H)mm

BOX0202

- Distributor
- Model:BOX0202
- IP rate:IP44,terminal box inside
- Material:Plastic
- Dimensions:89(L)x21(W)x15(H)mm

